

# hydroas

HYDRAULIC PNEUMATIC



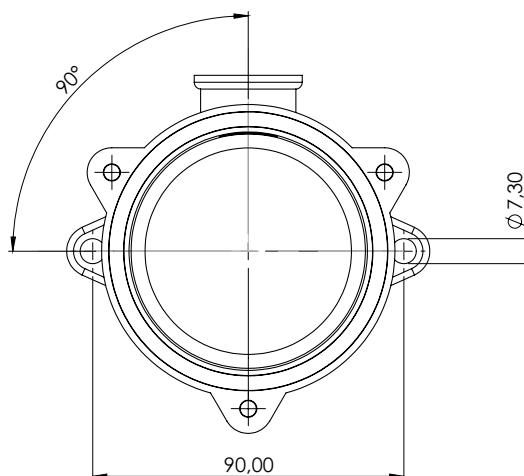
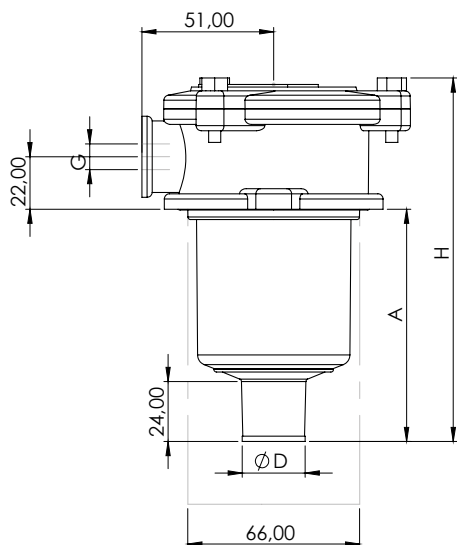


## INDEX

	Hydraulic Return Filter 05 Series	<b>2</b>		Hydraulic Return Filter 10/20 Series	<b>4</b>
	Hydraulic Return Filter 30 Series	<b>6</b>		Hydraulic Return Filter 40/50 Series	<b>8</b>
	Hydraulic Return Filter 60 Series	<b>10</b>		Hydraulic Return Filter 100 Series	<b>12</b>
	Hydraulic Suction Filter	<b>14</b>		Hydraulic Spin-On Filter	<b>16</b>
	Temperature and Oil Indicators	<b>19</b>		Aluminum Oil Level Gauges	<b>20</b>
	Polycarbonate Oil Indicators	<b>21</b>		Filling Breathers	<b>22</b>
	Air Breather plug with valve	<b>24</b>		PTO Mechanical Lever Control	<b>25</b>
	Pneumatic Valves Mechanical	<b>26</b>		Copper Washer	<b>27</b>
	Aluminum Washer	<b>28</b>		Bonded Seal	<b>29</b>



Hydraulic Return Filter



Product Code	Flow lt/min	Product Description	A	H	ØD
RTFH05-0501-D12-S25-H01	40	Return Filter (05 Series 40 lt/min 25 µ G1/2 Connection)	88	140	24
RTFH05-0501-D12-M60-H01	70	Return Filter (05 Series 70 lt/min 60 µ G1/2 Connection)	88	140	24
RTFH05-0501-D12-F10-H01	40	Return Filter (05 Series 40 lt/min 10 µ G1/2 Connection)	88	140	24

<b>SERIES</b>	<b>RTFH05</b>
---------------	---------------

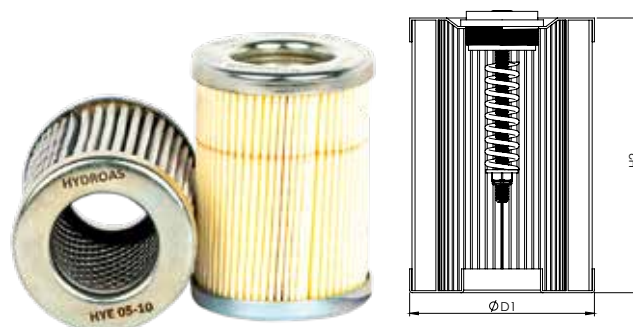
Filtration Value	F10	C25	M60
	10 µ	25 µ	60 µ
	Fiber Glass	Cellulose	Wire Mesh

<b>Connection Measurement</b>	<b>D12</b>
	G 1/2"

<b>By-Pass Setting Valve</b>	<b>B17</b>
	1,7 Bar

<b>HYDROAS Standart</b>	<b>H01</b>
Customized	HXX

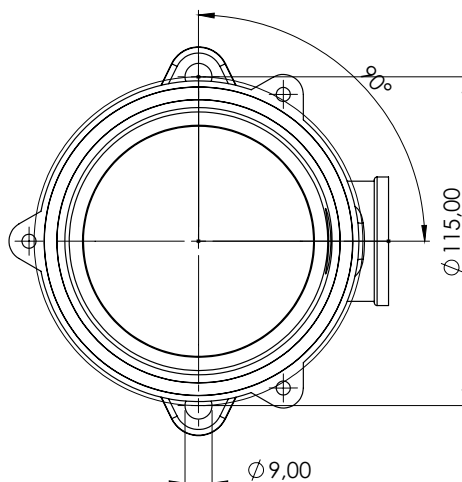
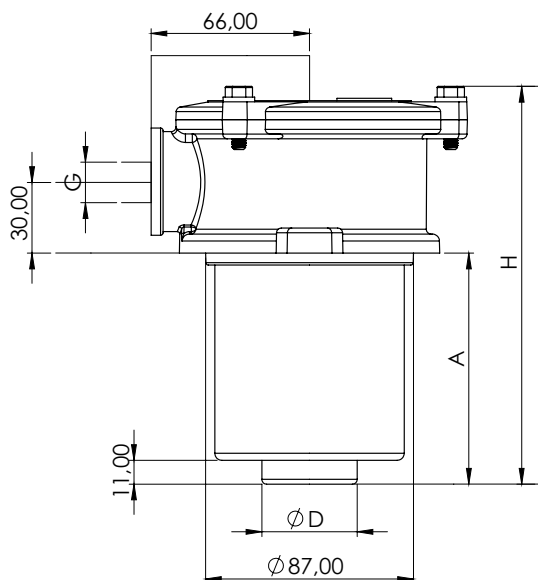
Spare Component Code	Product Description	H2	ØD1
RFCH-0501-F10-D	Filter Element (05 Series 10 µ)	67	50
RFCH-0501-C25-D	Filter Element (05 Series 25 µ)	67	50
RFCH-0501-M60-D	Filter Element (05 Series 60 µ)	67	50







Hydraulic Return Filter



Product Code	Flow lt/min	Product Description	A	H	ØD
RTFH10-1001-D12-25-H01	65	Return Filter (10 Series 65 lt/min 25 µ G1/2 Connection)	103	172	1"
RTFH10-1001-D12-60-H01	115	Return Filter (10 Series 115 lt/min 25 µ G1/2 Connection)	103	172	1"
RTFH10-1001-D12-10-H01	65	Return Filter (10 Series 65 lt/min 25 µ G1/2 Connection)	103	172	1"
RTFH10-1001-D15-25-H01	65	Return Filter (10 Series 65 lt/min 25 µ G3/4 Connection)	103	172	1"
RTFH10-1001-D15-60-H01	115	Return Filter (10 Series 115 lt/min 60 µ G3/4 Connection)	103	172	1"
RTFH10-1001-D15-10-H01	65	Return Filter (10 Series 65 lt/min 10 µ G3/4 Connection)	103	172	1"
RTFH20-2001-D15-25-H01	110	Return Filter (20 Series 110 lt/min 25 µ G3/4 Connection)	136	205	1"
RTFH20-2001-D15-60-H01	150	Return Filter (20 Series 150 lt/min 60 µ G3/4 Connection)	136	205	1"
RTFH20-2001-D15-10-H01	110	Return Filter (20 Series 110 lt/min 10 µ G3/4 Connection)	136	205	1"
RTFH20-2001-D18-25-H01	110	Return Filter (20 Series 110 lt/min 25 µ G1 Connection)	136	205	1"
RTFH20-2001-D18-60-H01	150	Return Filter (20 Series 150 lt/min 60 µ G1 Connection)	136	205	1"
RTFH20-2001-D18-10-H01	110	Return Filter (20 Series 110 lt/min 10 µ G1 Connection)	136	205	1"
RTFH22-2201-D18-25-H01	200	Return Filter (22 Series 200 lt/min 25 µ G1 Connection)	220	290	1"
RTFH22-2201-D18-60-H01	220	Return Filter (22 Series 220 lt/min 60 µ G1 Connection)	220	290	1"
RTFH22-2201-D18-10-H01	220	Return Filter (22 Series 220 lt/min 10 µ G1 Connection)	220	290	1"

SERIES	RTFH10
	RTFH20
	RTFH22

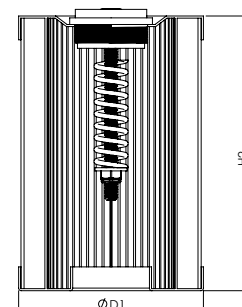
Filtration Value	F10	C25	M60
	10 µ	25 µ	60 µ
	Fiber Glass	Cellulose	Wire Mesh

Connection Measurement	D12	D15	D18
	G 1/2"	G 3/4"	G 1"

By-Pass Setting Valve	B17
	1,7 Bar

HYDROAS Standart	H01
Customized	HXX

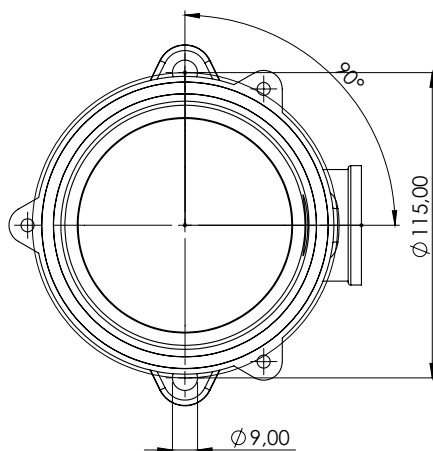
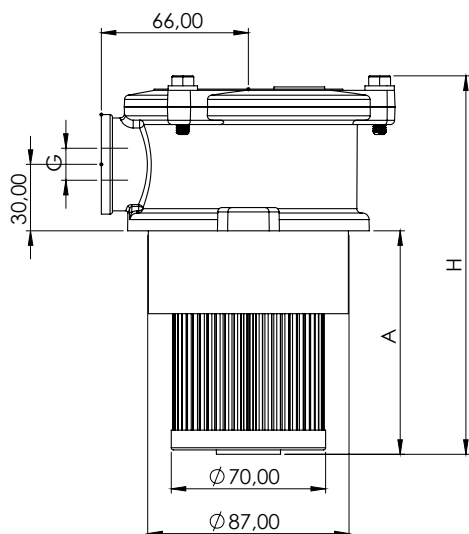
Spare Component Code	Product Description	H2	ØD1
RFCH-1001-F10-D	Filter Element (10 Series 10 µ)	100	70
RFCH-1001-C25-D	Filter Element (10 Series 25 µ)	100	70
RFCH-1001-M60-D	Filter Element (10 Series 60 µ)	100	70
RFCH-2001-F10-D	Filter Element (20 Series 10 µ)	130	70
RFCH-2001-C25-D	Filter Element (20 Series 25 µ)	130	70
RFCH-2001-M60-D	Filter Element (20 Series 60 µ)	130	70
RFCH-2201-F10-D	Filter Element (20 Series 10 µ)	225	70
RFCH-2201-C25-D	Filter Element (20 Series 25 µ)	225	70
RFCH-2201-M60-D	Filter Element (20 Series 60 µ)	225	70







Hydraulic Return Filter



Product Code	Flow lt/min	Product Description	A	H
RTFH30-3001-D12-S25-H01	80	Return Filter (30 Series 80 lt/min 25 $\mu$ G1/2 Connection)	85	155
RTFH30-3001-D12-M60-H01	120	Return Filter (30 Series 120 lt/min 60 $\mu$ G1/2 Connection)	85	155
RTFH30-3001-D15-S25-H01	80	Return Filter (30 Series 80 lt/min 25 $\mu$ G3/4 Connection)	85	155
RTFH30-3001-D15-M60-H01	120	Return Filter (30 Series 120 lt/min 60 $\mu$ G3/4 Connection)	85	155
RTFH30-3201-D15-S25-H01	150	Return Filter (32 Series 150 lt/min 25 $\mu$ G3/4 Connection)	115	185
RTFH30-3201-D15-M60-H01	190	Return Filter (32 Series 190 lt/min 60 $\mu$ G3/4 Connection)	115	185
RTFH30-3201-D18-S25-H01	150	Return Filter (32 Series 150 lt/min 25 $\mu$ G 1 Connection)	115	185
RTFH30-3201-D18-M60-H01	190	Return Filter (32 Series 190 lt/min 60 $\mu$ G 1 Connection)	115	185
RTFH30-3601-D15-S25-H01	180	Return Filter (36 Series 180 lt/min 25 $\mu$ G3/4 Connection)	165	235
RTFH30-3601-D15-M60-H01	220	Return Filter (36 Series 220 lt/min 60 $\mu$ G3/4 Connection)	165	235
RTFH30-3601-D18-S25-H01	180	Return Filter (36 Series 180 lt/min 25 $\mu$ G 1 Connection)	165	235
RTFH30-3601-D18-M60-H01	220	Return Filter (36 Series 220 lt/min 60 $\mu$ G 1 Connection)	165	235
RTFH30-3901-D18-S25-H01	235	Return Filter (39 Series 235 lt/min 25 $\mu$ G 1 Connection)	229	299
RTFH30-3901-D18-M60-H01	300	Return Filter (39 Series 300 lt/min 60 $\mu$ G 1 Connection)	229	299

SERIES	RTFH30
	RTFH32
	RTFH36
	RTFH39

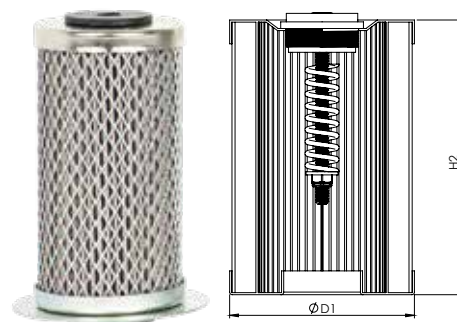
Filtration Value	C25	M60
	25 $\mu$	60 $\mu$
	Cellulose	Wire Mesh

Connection Measurement	D12	D15	D18
	G 1/2"	G 3/4"	G 1"

By-Pass Setting Valve	B17
	1,7 Bar

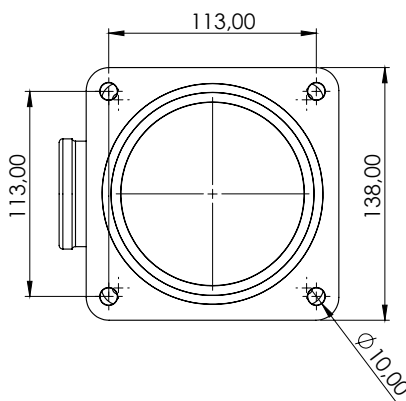
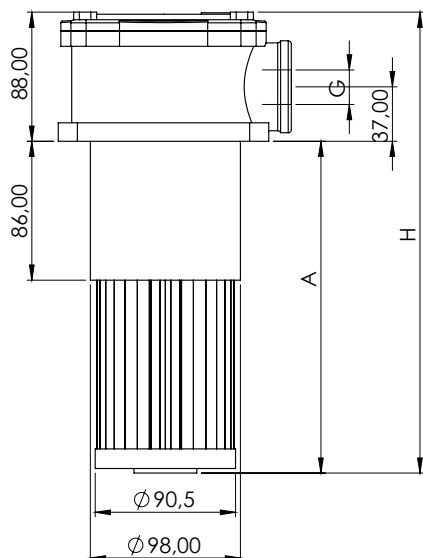
HYDROAS Standart	H01
Customized	HXX

Spare Component Code	Product Description	H2	$\phi D1$
RFCH-3001-C25-D	Filter Element (30 Series 25 $\mu$ )	100	70
RFCH-3001-M60-D	Filter Element (30 Series 60 $\mu$ )	100	70
RFCH-3201-C25-D	Filter Element (32 Series 25 $\mu$ )	130	70
RFCH-3201-M60-D	Filter Element (32 Series 60 $\mu$ )	130	70
RFCH-3601-C25-D	Filter Element (36 Series 25 $\mu$ )	180	70
RFCH-3601-M60-D	Filter Element (36 Series 60 $\mu$ )	180	70
RFCH-3901-C25-D	Filter Element (39 Series 25 $\mu$ )	250	70
RFCH-3901-M60-D	Filter Element (39 Series 60 $\mu$ )	250	70





Hydraulic Return Filter



Product Code	Flow lt/min	Product Description	A	H
RTFH40-4001-D18-S25-H01	260	Return Filter (40 Series 260 lt/min 25 µ G1 Connection)	235	321
RTFH40-4001-D18-M60-H01	340	Return Filter (40 Series 340 lt/min 60 µ G1 Connection)	235	321
RTFH40-4001-D18-F10-H01	260	Return Filter (40 Series 260 lt/min 10 µ G1 Connection)	235	321
RTFH40-4001-D21-S25-H01	260	Return Filter (40 Series 260 lt/min 25 µ G1 1/4 Connection)	235	321
RTFH40-4001-D21-M60-H01	340	Return Filter (40 Series 340 lt/min 60 µ G1 1/4 Connection)	235	321
RTFH40-4001-D21-F10-H01	260	Return Filter (40 Series 260 lt/min 10 µ G1 1/4 Connection)	235	321
RTFH40-4001-D24-S25-H01	260	Return Filter (40 Series 260 lt/min 25 µ G1 1/2 Connection)	235	321
RTFH40-4001-D24-M60-H01	340	Return Filter (40 Series 340 lt/min 60 µ G1 1/2 Connection)	235	321
RTFH40-4001-D24-F10-H01	260	Return Filter (40 Series 260 lt/min 10 µ G1 1/2 Connection)	235	321
RTFH40-5001-D21-S25-H01	360	Return Filter (50 Series 360 lt/min 25 µ G1 1/4 Connection)	445	531
RTFH40-5001-D21-M60-H01	480	Return Filter (50 Series 480 lt/min 60 µ G1 1/4 Connection)	445	531
RTFH40-5001-D21-F10-H01	360	Return Filter (50 Series 360 lt/min 10 µ G1 1/4 Connection)	445	531
RTFH40-5001-D24-S25-H01	360	Return Filter (50 Series 360 lt/min 25 µ G1 1/2 Connection)	445	531
RTFH40-5001-D24-M60-H01	480	Return Filter (50 Series 480 lt/min 60 µ G1 1/2 Connection)	445	531
RTFH40-5001-D24-F10-H01	360	Return Filter (50 Series 360 lt/min 10 µ G1 1/2 Connection)	445	531

<b>SERIES</b>	RTFH40
	RTFH50

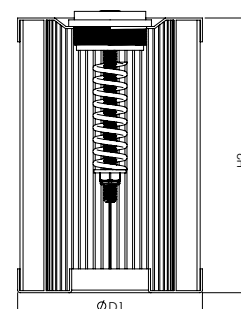
<b>Filtration Value</b>	F10	C25	M60
	10 µ	25 µ	60 µ
	Fiber Glass	Cellulose	Wire Mesh

<b>Connection Measurement</b>	D18	D21	D24
	G 1"	G 1 1/4	G 1 1/2

<b>By-Pass Setting Valve</b>	B17
	1,7 Bar

<b>HYDROAS Standart</b>	H01
Customized	HXX

Spare Component Code	Product Description	H2	ØD1
RFCH-4001-C25-D	Filter Element (40 Series 25 µ)	250	90,5
RFCH-4001-M60-D	Filter Element (40 Series 60 µ)	250	90,5
RFCH-4001-F10-D	Filter Element (40 Series 10 µ)	250	90,5
RFCH-5001-C25-D	Filter Element (50 Series 25 µ)	453	90,5
RFCH-5001-M60-D	Filter Element (50 Series 60 µ)	453	90,5
RFCH-5001-F10-D	Filter Element (50 Series 10 µ)	453	90,5

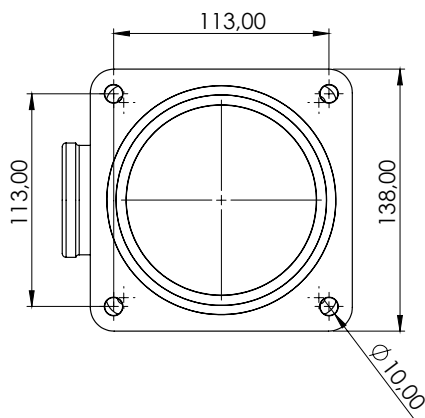
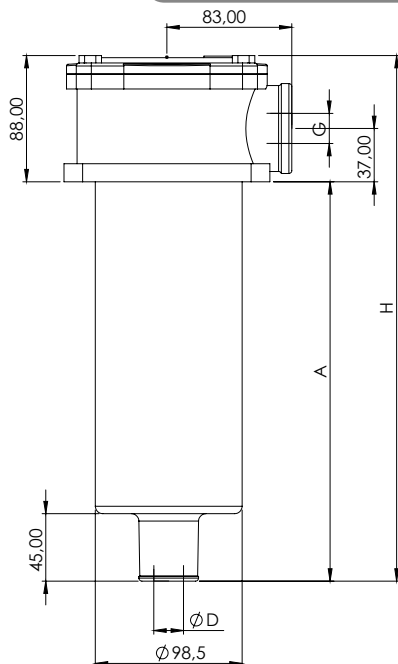








Hydraulic Return Filter



Product Code	Flow lt/min	Product Description	A	H	ØD
RTFH60-6001-D18-S25-H01	260	Return Filter (60 Series 260 lt/min 25 µ G1 Connection)	285	369,5	31
RTFH60-6001-D18-M60-H01	340	Return Filter (60 Series 340 lt/min 60 µ G1 Connection)	285	369,5	31
RTFH60-6001-D18-F10-H01	260	Return Filter (60 Series 260 lt/min 10 µ G1 Connection)	285	369,5	31
RTFH60-6001-D21-S25-H01	260	Return Filter (60 Series 260 lt/min 25 µ G1 1/4 Connection)	285	369,5	31
RTFH60-6001-D21-M60-H01	340	Return Filter (60 Series 340 lt/min 60 µ G1 1/4 Connection)	285	369,5	31
RTFH60-6001-D21-F10-H01	260	Return Filter (60 Series 260 lt/min 10 µ G1 1/4 Connection)	285	369,5	31
RTFH60-6001-D24-S25-H01	260	Return Filter (60 Series 260 lt/min 25 µ G1 1/2 Connection)	285	369,5	31
RTFH60-6001-D24-M60-H01	340	Return Filter (60 Series 340 lt/min 60 µ G1 1/2 Connection)	285	369,5	31
RTFH60-6001-D24-F10-H01	260	Return Filter (60 Series 260 lt/min 10 µ G1 1/2 Connection)	285	369,5	31

SERIES RTFH60

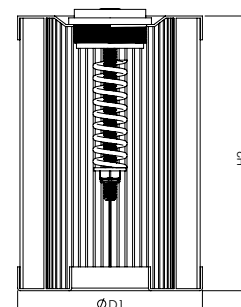
Filtration Value	F10	C25	M60
	10 µ	25 µ	60 µ
	Fiber Glass	Cellulose	Wire Mesh

Connection Measurement	D18	D21	D24
	G 1"	G 1 1/4"	G 1 1/2"

By-Pass Setting Valve	B17
	1,7 Bar

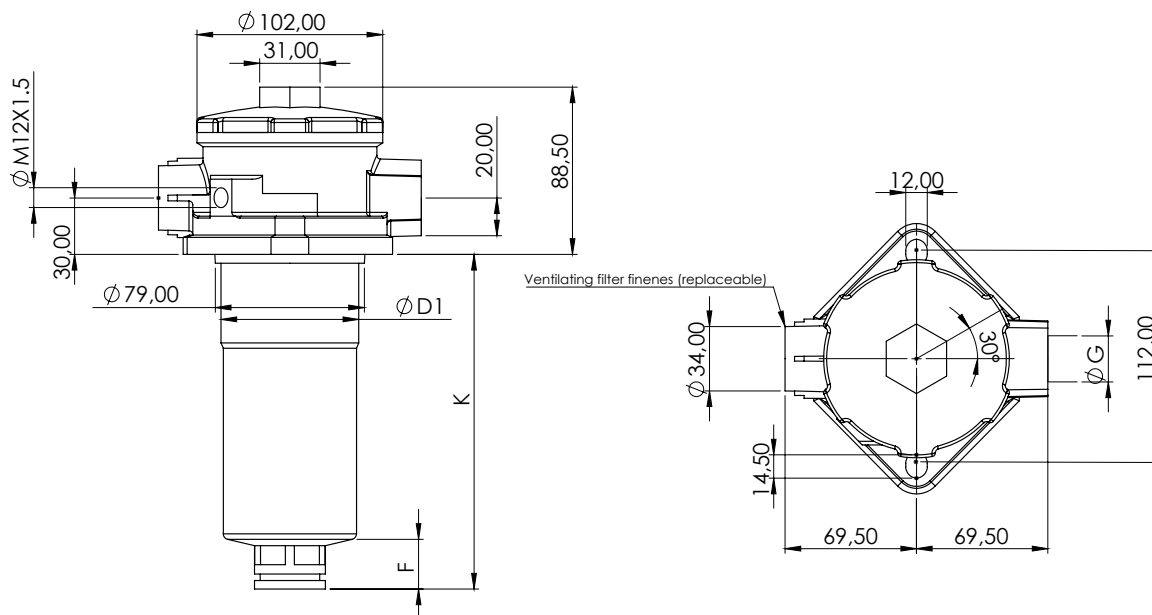
HYDROAS Standart	H01
Customized	HXX

Spare Component Code	Product Description	H2	ØD1
RFCH-6001-C25-D	Filter Element (60 Series 25 µ)	250	90
RFCH-6001-M60-D	Filter Element (60 Series 60 µ)	250	90
RFCH-6001-F10-D	Filter Element (60 Series 10 µ)	250	90





Hydraulic Return Filter



Product Code	Flow lt/min	Product Description	A	H	ØD
RTFH60-10001-D15-S25-H01	260	Return Filter (100 Series 260 lt/min 25 µ G3/4 Connection)	24	176	73
RTFH60-10001-D15-M60-H01	340	Return Filter (100 Series 340 lt/min 60 µ G3/4 Connection)	24	176	73
RTFH60-10001-D15-F10-H01	260	Return Filter (100 Series 260 lt/min 10 µ G3/4 Connection)	24	176	73
RTFH60-10001-D18-S25-H01	260	Return Filter (100 Series 260 lt/min 25 µ G1 Connection)	24	176	73
RTFH60-10001-D18-M60-H01	340	Return Filter (100 Series 340 lt/min 60 µ G1 Connection)	24	176	73
RTFH60-10001-D18-F10-H01	260	Return Filter (100 Series 260 lt/min 10 µ G1 Connection)	24	176	73

<b>SERIES</b>	RTFH100
---------------	---------

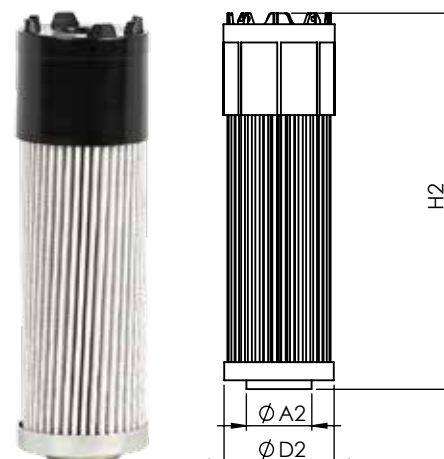
Filtration Value	F10	C25	M60
	10 µ	25 µ	60 µ
	Fiber Glass	Cellulose	Wire Mesh

Connection Measurement	D15	D18
	G 3/4"	G 1"

By-Pass Setting Valve	B17
	1,7 Bar

HYDROAS Standart	H01
Customized	HXX

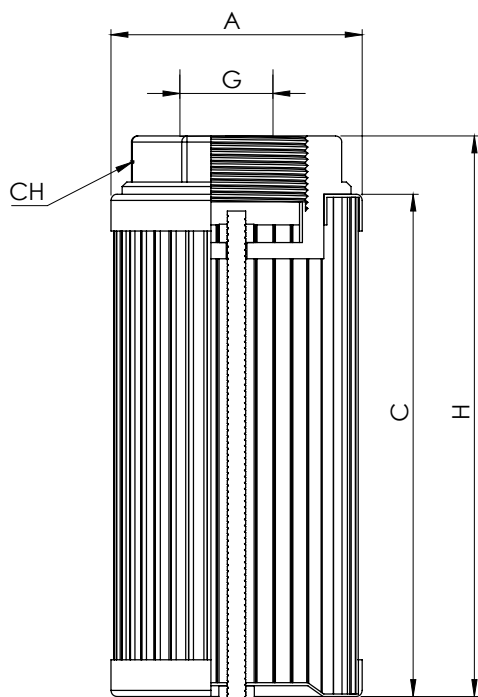
Spare Component Code	Product Description	H2	ØD2	ØA2
RFCH-10001-C25-D	Filter Element (100 Series 25 µ)	207	61,5	28
RFCH-10001-M60-D	Filter Element (100 Series 60 µ)	207	61,5	28
RFCH-10001-F10-D	Filter Element (100 Series 10 µ)	207	61,5	28







Hydraulic Suction Filter



Product Code	Flow lt/min	Product Description	G	A	C	H	CH
SFTH05-D06-149-H01	5	Suction Filter (5 lt/min 149 μ G 1/4" Connection)	1/4"	30	80	87	Ø 16
SFTH15-D18-149-H01	15	Suction Filter (15 lt/min 149 μ G 1" Connection)	1"	59	64	88	42
SFTH25-D18-149-H01	25	Suction Filter (25 lt/min 149 μ G 1" Connection)	1"	59	100	124	42
SFTH45-D18-149-H01	45	Suction Filter (45 lt/min 149 μ G 1/4" Connection)	1"	59	140	164	42
SFTH65-D24-149-H01	65	Suction Filter (65 lt/min 149 μ G 1 1/2" Connection)	1 1/2"	82	110	134	62
SFTH90-D24-149-H01	90	Suction Filter (90 lt/min 149 μ G 1 1/2" Connection)	1 1/2"	82	163	188	62
SFTH125-D24-149-H01	125	Suction Filter (125 lt/min 149 μ G 1 1/2" Connection)	1 1/2"	82	200	222	62
SFTH180-D24-149-H01	180	Suction Filter (180 lt/min 149 μ G 1" Connection)	1 1/2"	82	240	263	62
SFTH225-D27-149-H01	225	Suction Filter (225 lt/min 149 μ G 2" Connection)	2"	130	165	192	80
SFTH300-D27-149-H01	300	Suction Filter (300 lt/min 149 μ G 2" Connection)	2"	130	200	222	80
SFTH500-D27-149-H01	500	Suction Filter (500 lt/min 149 μ G 2" Connection)	2"	130	250	282	80
SFTH501-D30-149-H01	500	Suction Filter (500 lt/min 149 μ G 2 1/2" Connection)	2 1/2"	130	250	282	86
SFTH750-D33-149-H01	750	Suction Filter (750 lt/min 149 μ G 3" Connection)	3"	182	250	271	98
SFTH1400-D33-149-H01	1400	Suction Filter (1400 lt/min 149 μ G 3" Connection)	3"	182	500	523	98

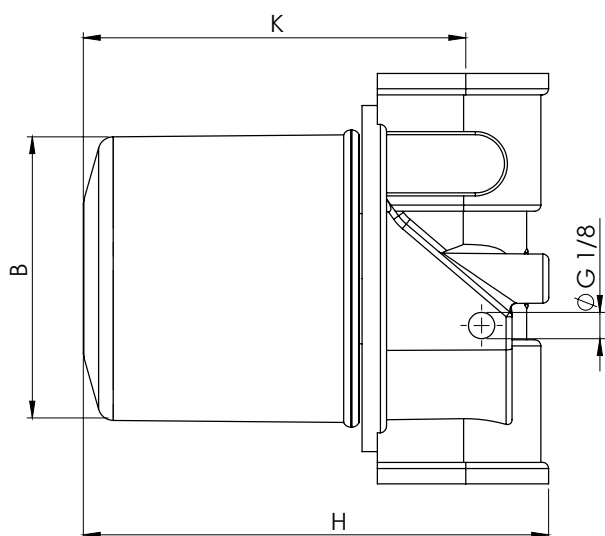
Connection Measurement	D06	D18	D24	D27	D30	D33	D36
	G 1/4"	G 1"	G 1 1/2"	G 2"	G 2 1/2"	3"	4"

Filtration Value	149
	Metal Mesh / 149 μ

HYDROAS Standart	H01
Customized	HXX



Hydraulic Spin-On Filter



Product Code	Flow lt/min	Product Description	H	B	K
SOFH10-1001-D12-S25-H01	35	Spin On Filter (10 Series 35 lt/min 25 µ G1/2 Connection)	140	94	118
SOFH20-2001-D15-F10-H01	55	Spin On Filter (20 Series 55 lt/min 10 µ G3/4 Connection)	183	94	163
SOFH20-2001-D15-S25-H01	65	Spin On Filter (20 Series 65 lt/min 25 µ G3/4 Connection)	183	94	163
SOFH20-2101-D15-F10-H01	70	Spin On Filter (20 Series 70 lt/min 10 µ G3/4 Connection)	183	94	163
SOFH20-2101-D15-S25-H01	80	Spin On Filter (20 Series 80 lt/min 25 µ G3/4 Connection)	183	94	163
SOFH30-3001-D18-F10-H01	65	Spin On Filter (30 Series 65 lt/min 10 µ G 1 Connection)	258	94	238
SOFH30-3001-D18-S25-H01	75	Spin On Filter (30 Series 75 lt/min 25 µ G 1 Connection)	258	94	238
SOFH30-3101-D18-F10-H01	80	Spin On Filter (31 Series 80 lt/min 10 µ G 1 Connection)	258	94	238
SOFH30-3101-D18-S25-H01	90	Spin On Filter (31 Series 90 lt/min 25 µ G 1 Connection)	258	94	238
SOFH40-4001-D21-F10-H01	115	Spin On Filter (40 Series 115 lt/min 10 µ G 1 1/4 Connection)	245	127	218
SOFH40-4001-D21-S25-H01	150	Spin On Filter (40 Series 150 lt/min 25 µ G 1 1/4 Connection)	245	127	218
SOFH50-5001-D21-S25-H01	200	Spin On Filter (50 Series 200 lt/min 25 µ G 1 1/4 Connection)	270	135	342

Connection Measurement	D12	D15	D18	D21
	G 1/2"	G 3/4"	G 1"	G 1 1/4"

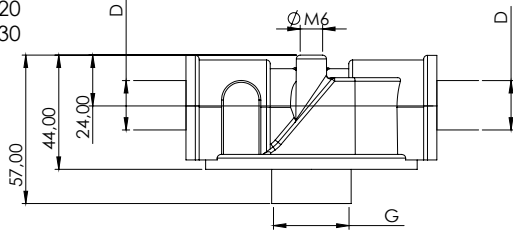
Filtration Value	F10	C25
	10 µ	25 µ
	Fiber Glass	Cellulose

HYDROAS Standart	H1

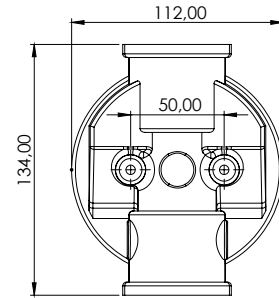
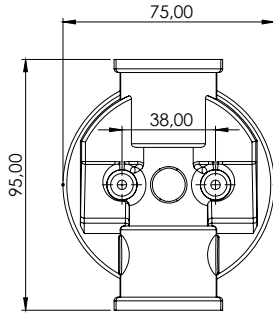
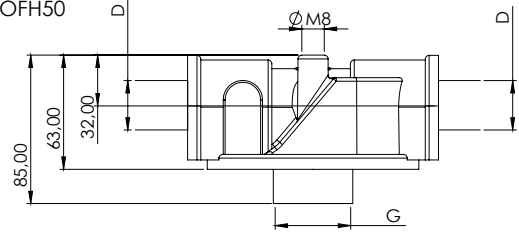
By-Pass Setting Valve	B17
	1,7 Bar

Hydraulic Spin-On Filter

SERIES : SOFH10  
SOFH20  
SOFH30



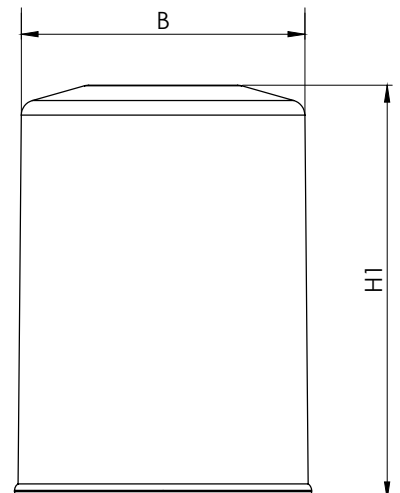
SERIES : SOFH40  
SOFH50



Filter Head Code	Product Description	G	D
SOHC-1001	Spare Component Head	3/4" x 16	G 1/2"
SOHC-2001	Spare Component Head	1" x 12	G 3/4"
SOHC-2101	Spare Component Head	1" x 12	G 3/4"
SOHC-3001	Spare Component Head	1" x 12	G 1"
SOHC-3101	Spare Component Head	1" x 12	G 1"
SOHC-4001	Spare Component Head	1 1/4" x 12	G 1 1/4"
SOHC-5001	Spare Component Head	1 1/2" x 16	G 1 1/4"

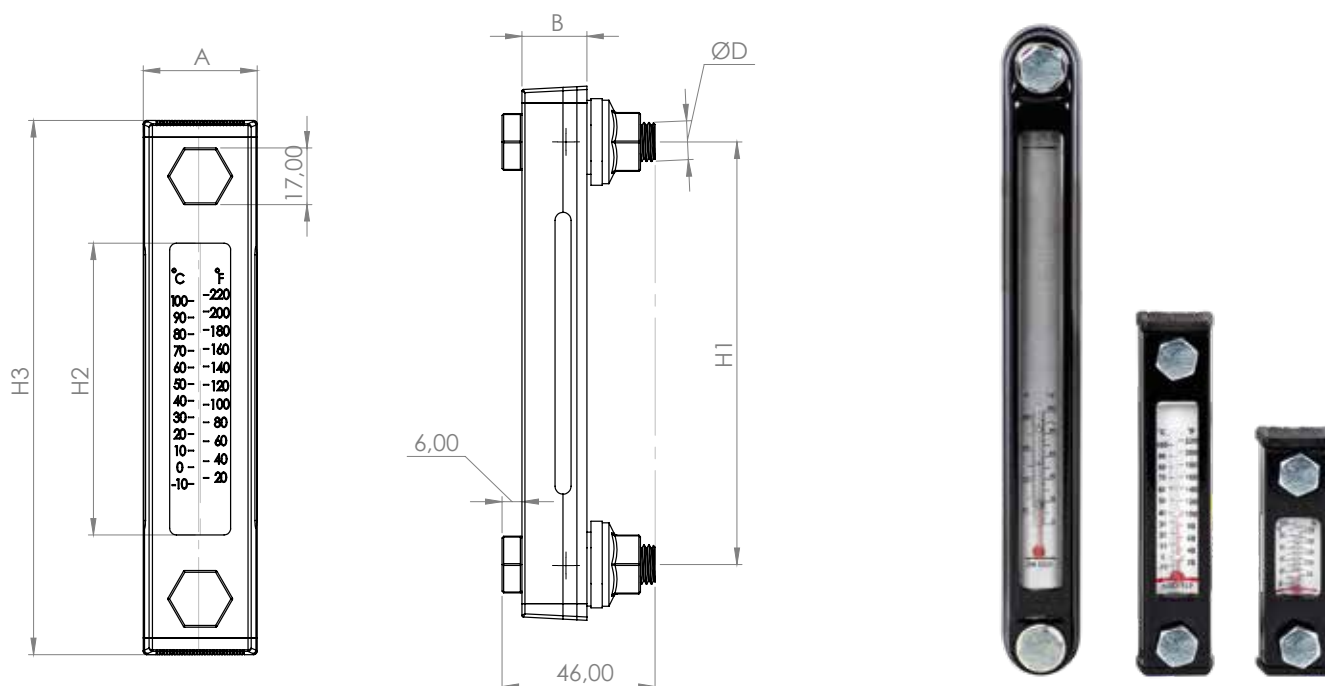


Spare Component Code	Product Description	Spare Component Connection Measurement UNF	H1	B
SOCC-1001-C25-D	Filter Element (10 Series 25 µ)	3/4" - 16 UNF	94	94
SOCC-2001-C25-D	Filter Element (20 Series 25 µ)	1" - 12 UNF	137	94
SOCC-2001-F10-D	Filter Element (20 Series 10 µ)	1" - 12 UNF	137	94
SOCC-2101-C25-D	Filter Element (21 Series 25 µ)	1" - 12 UNF	207	94
SOCC-2101-F10-D	Filter Element (21 Series 10 µ)	1" - 12 UNF	207	94
SOCC-3001-C25-D	Filter Element (30 Series 25 µ)	1" - 12 UNF	137	94
SOCC-3001-F10-D	Filter Element (30 Series 10 µ)	1" - 12 UNF	137	94
SOCC-3101-C25-D	Filter Element (31 Series 25 µ)	1" - 12 UNF	207	94
SOCC-3101-F10-D	Filter Element (31 Series 10 µ)	1" - 12 UNF	207	94
SOCC-4001-C25-D	Filter Element (40 Series 25 µ)	1 1/4" - 12 UNF	178	127
SOCC-4001-F10-D	Filter Element (40 Series 10 µ)	1 1/4" - 12 UNF	178	127
SOCC-5001-C25-D	Filter Element (50 Series 25 µ)	1 1/4" - 12 UNF	303	135





Temperature and Oil Indicators



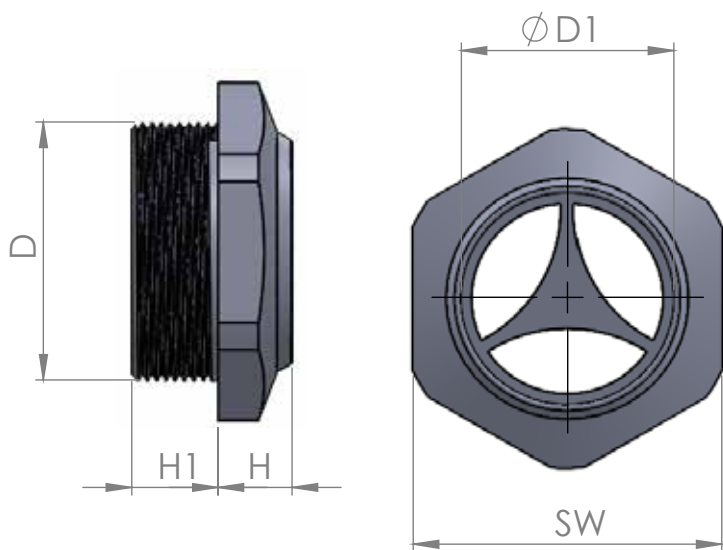
Product Code	Product Description	A	B	H1	H1	H3	ØD
HLIM-076-T10-H01	76 mm M10 Temperature and Oil Indicator With Degree	34	21	76	36	109	10
HLIM-076-W10-H01	76 mm M10 Temperature and Oil Indicator Without Degree	34	21	76	36	109	10
HLIM-076-T12-H01	76 mm M12 Temperature and Oil Indicator With Degree	34	21	76	36	109	12
HLIM-076-W12-H01	76 mm M12 Temperature and Oil Indicator Without Degree	34	21	76	36	109	12
HLIM-127-T10-H01	127 mm M10 Temperature and Oil Indicator With Degree	34	21	127	88	160	10
HLIM-127-W10-H01	127 mm M10 Temperature and Oil Indicator Without Degree	34	21	127	88	160	10
HLIM-127-T12-H01	127 mm M12 Temperature and Oil Indicator With Degree	34	21	127	88	160	12
HLIM-127-W12-H01	127 mm M12 Temperature and Oil Indicator Without Degree	34	21	127	88	160	12
HLIM-254-T12-H01	254 mm M12 Temperature and Oil Indicator With Degree	35	27	254	200	288	12
HLIM-254-W12-H01	254 mm M12 Temperature and Oil Indicator Without Degree	35	27	254	200	288	12

ORDERING AND OPTION CHART

SERIES	HLMI		
SIZE & LENGTH	076 mm	127 mm	254 mm
ACCESSORIES	T	W	
	With Thermometer	Without Thermometer	
CONNECTION SIZE	10	12	
	M10	M12	

HYDROAS Standart	H01
Customized	HXX

## Aluminum Oil Level Gauges



Product Code	Product Description	ØD	H	H1	SW	ØD1
CLIA-D09-K-H01	3/8" Aluminum Oil Level Gauge	G 3/8"	10,5	9	22	12
CLIA-D12-K-H01	1/2" Aluminum Oil Level Gauge	G 1/2"	12,5	8,5	27	17,5
CLIA-D15-K-H01	3/4" Aluminum Oil Level Gauge	G 3/4"	12,5	10	32	20
CLIA-D18-K-H01	1" Aluminum Oil Level Gauge	G 1"	13	10	40	27
CLIA-D21-K-H01	1 1/4" Aluminum Oil Level Gauge	G 1 1/4"	14	12	50	30,5
*CLIA-D06-K-H01	1/4" Aluminum Oil Level Gauge	G 1/4"				
*CLIA-D24-K-H01	1 1/2" Aluminum Oil Level Gauge	G 1 1/2"				

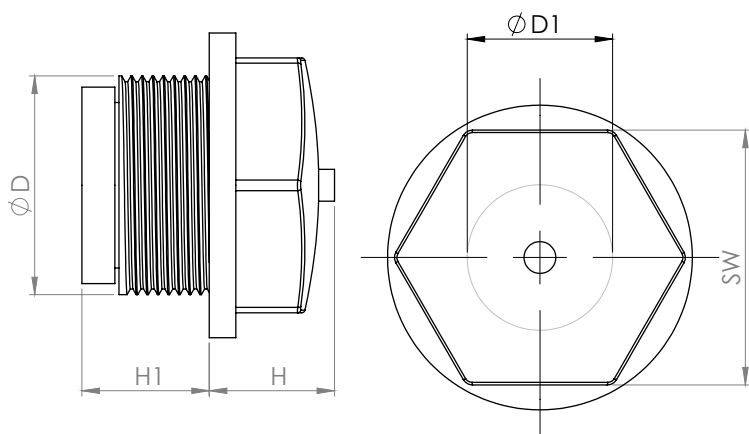
## ORDERING AND OPTION CHART

SERIES	CLIA						
SIZE & LENGTH	D06	D09	D12	D15	D18	D21	D24
	1/4"	3/8"	1/2"	3/4"	1"	1 1/4"	1 1/2"
FLAT SEAL	K	B					
	Klingrite	Bonded Seal	(Option)				

HYDROAS Standart	H01
Customized	HXX

\* Please get in contact with us for details.

Polycarbonate Oil Indicators



Product Code	Product Description	$\varnothing D$	H	H1	SW	$\varnothing D1$
CLIP-D09-K-H01	3/8 Polycarbonate Oil Level Indicator	G 3/8"	8	12,5	18	10
CLIP-D12-K-H01	1/2 Polycarbonate Oil Level Indicator	G 1/2"	10	12,5	24	14
CLIP-D15-K-H01	3/4 Polycarbonate Oil Level Indicator	G 3/4"	10	13,5	30	19
CLIP-D18-K-H01	1" Polycarbonate Oil Level Indicator	G 1"	10	15	36	23,5

ORDERING AND OPTION CHART

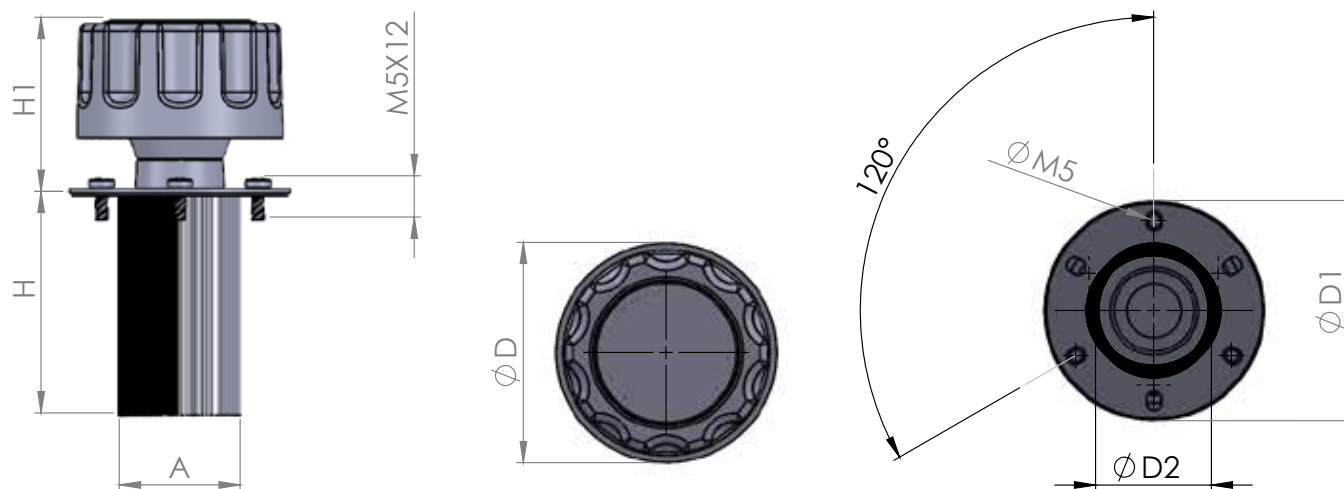
SERIES	CLIP			
SIZE & LENGTH	D09	D12	D15	D18
	3/8"	1/2"	3/4"	1"
FLAT SEAL	K	B		
	Klingrite	Bonded Seal	(Option)	

HYDROAS Standart	H01
Customized	HXX





Filling breathers



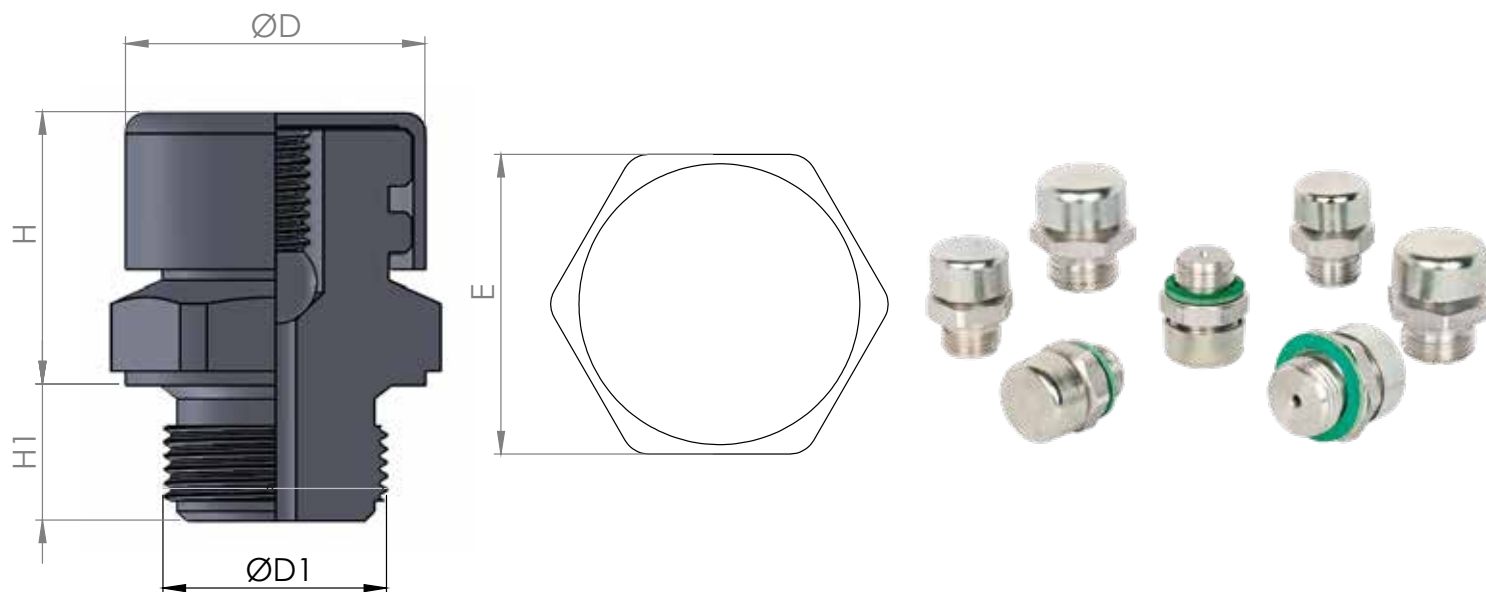
Product Code	Product Description	H1	H	A	ØD	ØD1	ØD2
TCHT-D18-N-400-H1	Filling breathers Large Size With Screwed (Nickel Plated)	65	86	46	80	86	1"
TCHT-D18-P-400-H1	Filling breathers Large Size With Screwed (Black Colored)	65	86	46	80	86	1"
TCHT-D18-N-149-H1	Filling breathers Large Size With Screwed (Nickel Plated)	65	86	46	80	86	1"
TCHT-D18-P-149-H1	Filling breathers Large Size With Screwed (Black Colored)	65	86	46	80	86	1"
TCHT-D12-N-400-H1	Filling breathers Small Size With Screwed (Nickel Plated)	42	68	27	54	51	1/2"

ORDERING AND OPTION CHART

SERIES	TCHT	
CONNECTIONS	D18	D12
	1"	1/2"
COVERING	N	P
	Nickel Plated	Painted
FILTRATION RATING	400	149
	Nylon6 Mesh / 400 µ	Metal Mesh / 149 µ

HYDROAS Standart H01

## Air Breather Plug with Valve



Product Code	Product Description	ØD1	ØD	H	H1	E
BPVH-D09-K-H01	3/8" Air Breather	G 3/8"	22	20	10	22
BPVH-D12-K-H01	1/2" Air Breather	G 1/2"	26	21	12	27

**ORDERING AND OPTION CHART**

<b>SERIES</b>	BPVH		
<b>SIZE &amp; LENGTH</b>	D09	D12	
	3/8"	1/2"	
<b>FLAT SEAL</b>	K	B	
	Klingrite	Bonded Seal	(Option)

<b>HYDROAS Standart</b>	H01
Customized	HXX

\* Please get in contact with us for details.

PTO Mechanical Lever Control / ТРОС ВКЛЮЧЕНИЯ КОРОБКИ ОТБОРА МОЩНОСТИ (Метрика М8)



Product Code	Product Description
PML-M8-250-H01	2,5 m PTO Mechanical Lever Control
PML-M8-300-H01	3 m PTO Mechanical Lever Control
PML-M8-350-H01	3,5 m PTO Mechanical Lever Control
PML-M8-400-H01	4 m PTO Mechanical Lever Control
PML-M8-450-H01	4,5 m PTO Mechanical Lever Control
PML-M8-500-H01	5 m PTO Mechanical Lever Control

Connection Measurement	M8
	METRIC 8

HYDROAS STANDART	H01
------------------	-----

*\*We can produce any lenght according to your order / Мы можем изготовить любую длину по вашему заказу*

Pneumatic Valves Mechanical



Product Code	Product Description
PVM-D06-3200-H01	1/4 3x2 Valve Hand Cotrolled
PVM-D06-32001-H01	1/4 3x2 Valve Hand Cotrolled Spring Rotating
PVM-D06-3201-H01	1/4 3x2 Valve Lever Cotrolled
PVM-D06-3202-H01	1/4 3x2 Valve Lever Spring Cotrolled
PVM-D06-3203-H01	1/4 3x2 Valve Air-Spring Cotrolled
PVM-D06-3204-H01	1/4 3x2 Valve Air-Air Cotrolled (Double Way Air)
PVM-D06-3205-H01	1/4 3x2 Valve Roller-Spring Cotrolled
PVM-D06-32051-H01	1/4 3x2 Valve Roller-Spring Cotrolled Side
PVM-D06-3206-H01	1/4 3x2 Valve Pedal-Spring Cotrolled
PVM-D06-3207-H01	1/4 3x2 Valve Pedal-Pedal Cotrolled
PVM-D06-5200-H01	1/4 5x2 Valve Hand Cotrolled
PVM-D06-52001-H01	1/4 5x2 Valve Hand Cotrolled Spring Rotating
PVM-D06-5201-H01	1/4 5x2 Valve Lever Cotrolled
PVM-D06-52011-H01	1/4 5x2 Valve Lever Spring Cotrolled Side
PVM-D06-5202-H01	1/4 5x2 Valve Lever Spring Cotrolled
PVM-D06-5203-H01	1/4 5x2 Valve Air-Spring Cotrolled
PVM-D06-5204-H01	1/4 5x2 Valve Air-Air Cotrolled (Double Way Air)
PVM-D06-5205-H01	1/4 5x2 Valve Roller-Spring Cotrolled
PVM-D06-52051-H01	1/4 5x2 Valve Roller-Spring Cotrolled Side
PVM-D06-5206-H01	1/4 5x2 Valve Pedal-Spring Cotrolled
PVM-D06-5207-H01	1/4 5x2 Valve Pedal-Pedal Cotrolled
PVM-D06-5208-H01	1/4 5x2 Valve Pedal-Air Cotrolled
PVM-D06-5300-H01	1/4 5x3 Lever-0-Lever Controlled (Close Centre)
PVM-D06-5301-H01	1/4 5x3 Lever-Spring-Lever Controlled (Close Centre)
PVM-D06-5302-H01	1/4 5x3 Lever-0-Lever Controlled (Open Centre)
PVM-D06-5303-H01	1/4 5x3 Lever-Spring-Lever Controlled (Open Centre)
PVM-D06-5206-H01	1/4 5x3 Lever-0-Lever Controlled (Close Centre)

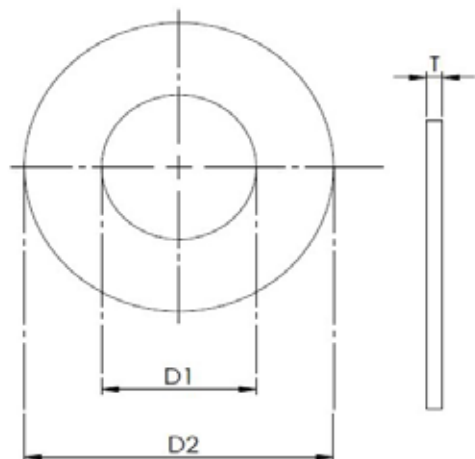
SERIES		
	PVM-32	1/4 3x2 Valves
	PVM-52	1/4 5x2 Valves
	PVM-53	1/4 5x3 Valves

Connection Measurement	
	M8
	METRIC 8

HYDROAS Standart	
	H01



## Copper Washer

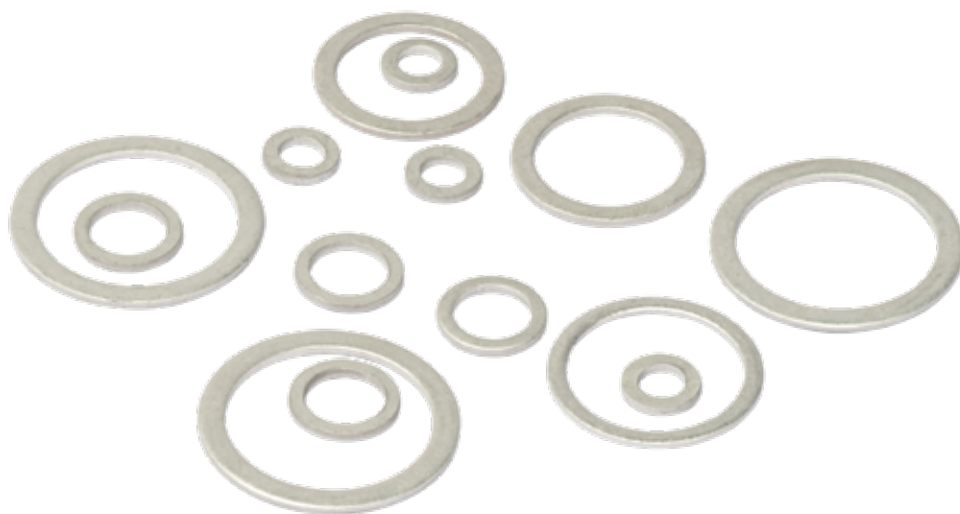
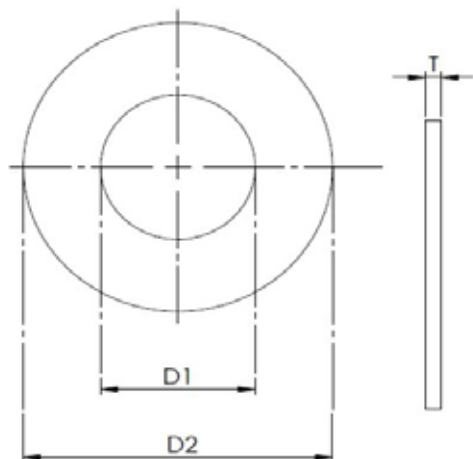


Code	D1	D2	T
WN01C	6,50	11,00	1,20
WN02C	5,20	10,00	1,20
WN03C	8,20	12,20	1,20
WN04C	10,20	14,20	1,20
WN05C	11,20	16,20	1,20
WN06C	13,20	18,00	1,20
WN07C	14,20	19,50	1,20
WN08C	16,20	22,00	1,20
WN09C	17,20	24,00	1,20
WN10C	21,2	25,00	1,20
WN11C	10,10	19,00	1,00
WN11-1C	10,10	19,00	1,50
WN11-2C	10,10	19,00	1,80
WN12C	22,10	27,00	1,20
WN14C	19,2	26,50	1,20
WN15C	22,4	30,00	1,20

Code	D1	D2	T
WM04C	4	8	1,2
WM06C	6	10	1,2
WM08C	8	12,5	1,2
WM10C	10	14,5	1,2
WM12C	12	17	1,2
WM14C	14	20	1,2
WM16C	16	22	1,2
WM18C	18	24	1,2
WM20C	20	26	1,2
WM22C	22	27	1,2
WM24C	24	30	1,2
WM26C	26	32	1,2
WM28C	28	34	1,2
WM30C	30	36	1,2
WM33C	33	39	1,2
WM36C	36	42	1,2
WM38C	38	44	1,2
WM42C	42	48	1,2
WM45C	45	51	1,2
WM48C	48	54	1,2
WM60C	60	67	1,2

Code	D1	D2	T
WR018C	10,2	16,3	1,5
WR014C	13,1	18,1	1,5
WR038C	16,8	21,5	1,5
WR012C	21,4	26,65	1,5
WR034C	26,5	33,6	1,5
WR001C	33	40,9	1,5
WR114C	42,1	52	1,5
WR112C	48,2	55	1,5
WR002C	60	67	1,5

Aluminum Washer

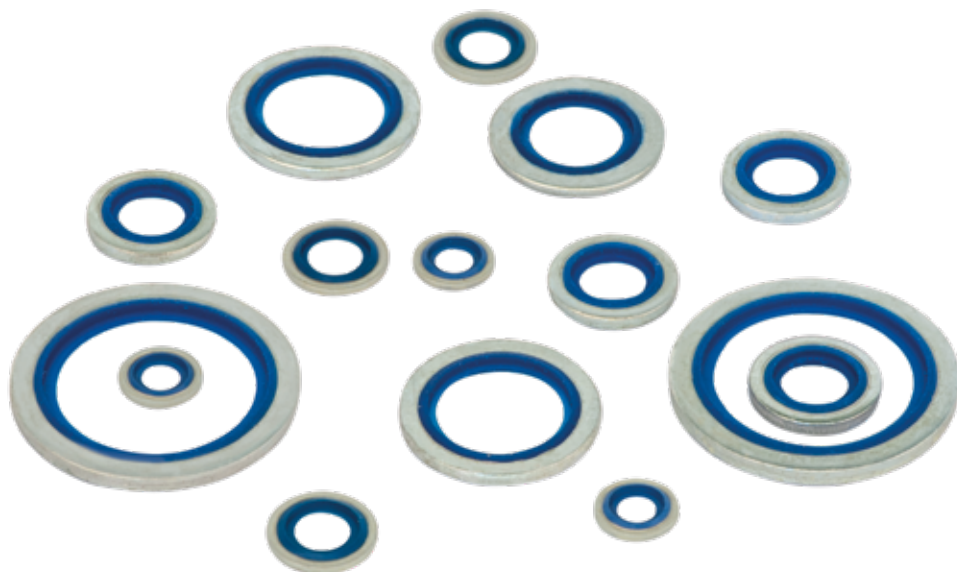
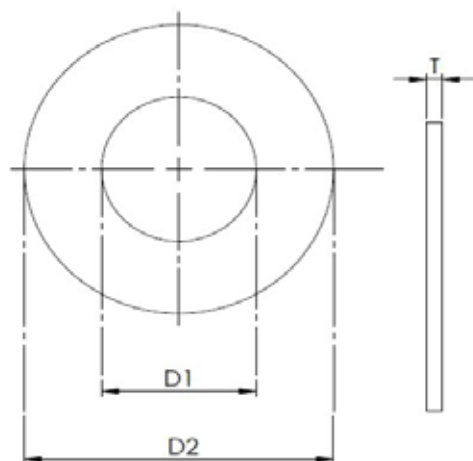


Code	D1	D2	T
WN01A	6,50	11,00	1,20
WN02A	5,20	10,00	1,20
WN03A	8,20	12,20	1,20
WN04A	10,20	14,20	1,20
WN05A	11,20	16,20	1,20
WN06A	13,20	18,00	1,20
WN07A	14,20	19,50	1,20
WN08A	16,20	22,00	1,20
WN09A	17,20	24,00	1,20
WN10A	21,2	25,00	1,20
WN11A	10,10	19,00	1,00
WN11-1A	10,10	19,00	1,50
WN11-2A	10,10	19,00	1,80
WN12A	22,10	27,00	1,20
WN14A	19,2	26,50	1,20
WN15A	22,4	30,00	1,20

Code	D1	D2	T
WM04A	4	8	1,2
WM06A	6	10	1,2
WM08A	8	12,5	1,2
WM10A	10	14,5	1,2
WM12A	12	17	1,2
WM14A	14	20	1,2
WM16A	16	22	1,2
WM18A	18	24	1,2
WM20A	20	26	1,2
WM22A	22	27	1,2
WM24A	24	30	1,2
WM26A	26	32	1,2
WM28A	28	34	1,2
WM30A	30	36	1,2
WM33A	33	39	1,2
WM36A	36	42	1,2
WM38A	38	44	1,2
WM42A	42	48	1,2
WM45A	45	51	1,2
WM48A	48	54	1,2
WM60A	60	67	1,2

Code	D1	D2	T
WR018A	10,2	16,3	1,5
WR014A	13,1	18,1	1,5
WR038A	16,8	21,5	1,5
WR012A	21,4	26,65	1,5
WR034A	26,5	33,6	1,5
WR001A	33	40,9	1,5
WR114A	42,1	52	1,5
WR112A	48,2	55	1,5
WR002A	60	67	1,5

## Bonded Seal



## METRIC BONDED SEAL

Code	D1	D2	T
WM05BS	6	9	1
WM06BS	7	11	1
WM08BS	9,4	13	1
WM10BS	10,9	16	1,5
WM12BS	13,1	18	1,5
WM14BS	15	22	1,5
WM16BS	17	23,9	1,5
WM18BS	19,1	25,9	1,5
WM20BS	21	28	1,5
WM22BS	22,9	30,1	2
WM24BS	25	32	2
WM26BS	27	35	2
WM30BS	31,3	39	2
WM33BS	34,3	42,8	2,5
WM42BS	43,4	52,4	2,5

## R" BONDED SEAL

Code	D1	D2	T
WR018BS	10,4	15,8	2
WR014BS	14	20,6	2
WR038BS	17,3	23,7	2
WR012BS	21,7	28,6	2
WR034BS	28,6	34,8	2
WR001BS	34,3	42,8	2,5
WR114BS	43,4	52,4	2,5
WR112BS	48,8	58,6	2,5
WR002BS	61,9	73	2,5







-  Horozluhan Mh. 1. Org. San. Budaközü Sk. No: 24  
Selçuklu / Konya / TÜRKİYE
-  +90 332 233 42 85
-  +90 332 236 48 46
-  [www.hydroas.com](http://www.hydroas.com)
-  [info@hydroas.com](mailto:info@hydroas.com)