

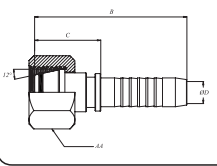
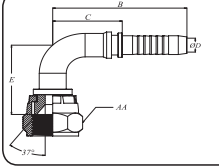
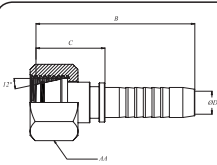
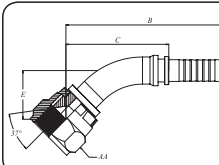
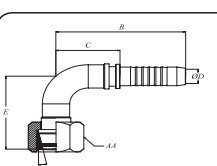
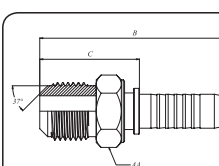
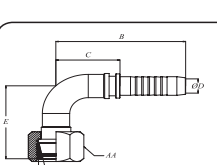
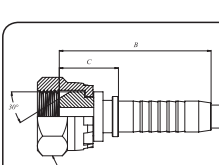
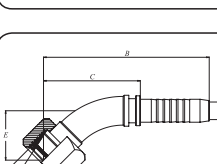
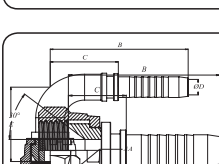
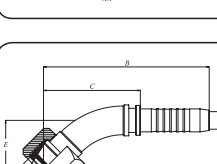
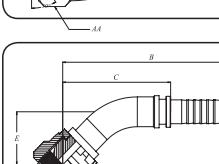
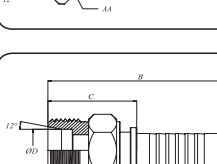
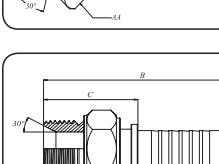
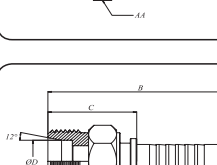
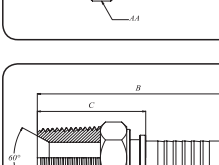
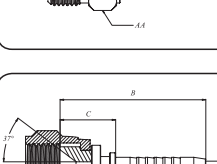
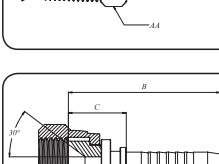


*hydroas*  
HYDRAULIC PNEUMATIC

[www.hydroas.com](http://www.hydroas.com)



## INDEX

	METRIC FEMALE STRAIGHT SWIVEL HOSE FITTINGS	<b>1</b>		UNF FEMALE 90° ELBOW SWIVEL HOSE FITTINGS	<b>10</b>
	MFSF-L			WFF90	
	METRIC FEMALE STRAIGHT SWIVEL HOSE FITTINGS S TYPE	<b>2</b>		UNF FEMALE 45° ELBOW SWIVEL HOSE FITTINGS	<b>11</b>
	MFSF-S			WFF45	
	METRIC FEMALE 90° ELBOW SWIVEL HOSE FITTINGS L TYPE	<b>3</b>		UNF MALE STRAIGHT HOSE FITTINGS	<b>12</b>
	MF090-L			WMF	
	METRIC FEMALE 90° ELBOW SWIVEL HOSE FITTINGS S TYPE	<b>4</b>		BSP FEMALE STRAIGHT SWIVEL HOSE FITTINGS	<b>13</b>
	MF090-S			RFF	
	METRIC FEMALE 45° ELBOW SWIVEL HOSE FITTINGS L TYPE	<b>5</b>		BSP FEMALE 90° ELBOW SWIVEL HOSE FITTINGS	<b>14</b>
	MF045-L			RF90	
	METRIC FEMALE 45° ELBOW SWIVEL HOSE FITTINGS S TYPE	<b>6</b>		BSP FEMALE 45° ELBOW SWIVEL HOSE FITTINGS	<b>15</b>
	MF045-S			RF45	
	METRIC MALE STRAIGHT HOSE FITTINGS L TYPE	<b>7</b>		BSP MALE STRAIGHT HOSE FITTINGS	<b>16</b>
	MM-L			RMF	
	METRIC MALE STRAIGHT HOSE FITTINGS S TYPE	<b>8</b>		BSPT MALE STRAIGHT HOSE FITTINGS	<b>17</b>
	MM-S			NMF	
	UNF FEMALE STRAIGHT SWIVEL HOSE FITTINGS	<b>9</b>		BSP FEMALE 30° FLARE STRAIGHT SWIVEL HOSE FITTINGS	<b>18</b>
	WFS			RFSF	

	BSP FEMALE 30° FLARE 90° ELBOW SWIVEL HOSE FITTINGS  RFSF90	19		FEMALE STRAIGHT SWIVEL HOSE FITTINGS  FSHF	29
	KOMATSU HOSE FITTING  MKFF	20		DN4 HOSE FITTINGS  DHS	30
	ORFS FEMALE STRAIGHT SWIVEL HOSE FITTING  OFF	21		DN4 90° ELBOW HOSE FITTINGS  DEHF90	30
	ORFS FEMALE 90° ELBOW SWIVEL HOSE FITTING  OFF90	22		STRAIGHT FLANGE HOSE FITTING 3000 SERIES  SFFS	31
	ORFS FEMALE 45° ELBOW SWIVEL HOSE FITTING  OFF45	23		90° ELBOW FLANGE HOSE FITTING 3000 SERIES  SFFS90	32
	ORFS MALE STRAIGHT HOSE FITTING  OMF	24		45° ELBOW FLANGE HOSE FITTING 3000 SERIES  SFFS45	33
	RIGID STANDPIPE HOSE FITTING  RSF	25		STRAIGHT FLANGE HOSE FITTING 6000 SERIES  SFFS	34
	STANDPIPE 90° ELBOW HOSE FITTING  RSF90	26		90° ELBOW FLANGE HOSE FITTING 6000 SERIES  SFFS90	35
	STANDPIPE 45° ELBOW HOSE FITTING  RSF45	27		45° ELBOW FLANGE HOSE FITTING 6000 SERIES  SFFS45	36
	DOUBLE CONNECTOR  DCF	28		STRAIGHT ELBOW FLANGE HOSE FITTING (THICK TYPE)  SFHF	37

	<p>90° ELBOW FLANGE HOSE FITTING (THICK TYPE)</p> <p>SFHF90</p> <p><b>38</b></p>		<p>BANJO BOLTS</p> <p>MHS</p> <p><b>46</b></p>
	<p>45° ELBOW FLANGE HOSE FITTING (THICK TYPE)</p> <p>SFHF45</p> <p><b>39</b></p>		<p>METRIC LOCK NUT</p> <p>MLN</p> <p><b>47</b></p>
	<p>R1 - R2 STEEL SOCKETS</p> <p>SS</p> <p><b>40</b></p>		<p>BSP LOCK NUT</p> <p>RLN</p> <p><b>47</b></p>
	<p>R9 STEEL SOCKETS</p> <p>SS</p> <p><b>41</b></p>		<p>BSP EXTERNAL HEX PORT PLUG</p> <p>MRT</p> <p><b>48</b></p>
	<p>STEEL SOCKETS</p> <p>SSS</p> <p><b>41</b></p>		<p>BSP 60° CONE PLUG</p> <p>RCP</p> <p><b>49</b></p>
	<p>DN2 - DN4 STEEL SOCKETS</p> <p>DDSS</p> <p><b>41</b></p>		<p>BSP SWIVEL CAP</p> <p>RSC</p> <p><b>50</b></p>
	<p>BANJO FITTING</p> <p>BF</p> <p><b>42</b></p>		<p>BSP INTERNAL HEX PORT PLUG</p> <p>MTW</p> <p><b>51</b></p>
	<p>BANJO FITTING</p> <p>BFB</p> <p><b>43</b></p>		<p>METRIC BLANKING PLUG FOR TUBE ENDS</p> <p>MMW</p> <p><b>52</b></p>
	<p>BANJO FITTING</p> <p>BFB</p> <p><b>44</b></p>		<p>METRIC BLANKING PLUG FOR TUBE ENDS</p> <p>MBP-L MBP-S</p> <p><b>53</b></p>
	<p>BANJO FITTING FOR WELDING</p> <p>BHW</p> <p><b>45</b></p>		<p>METRIC PLUG WITH O-RING</p> <p>MPW-L MPW-S</p> <p><b>54</b></p>



	METRIC INTERNAL HEX PORT PLUG	55		METRIC WELD-ON NIPPLE	62
	MMTW			MWON-L MWON-S	
	UNF MALE PLUG	56		METRIC WELD-IN BULKHEAD STRAIGHT CONNECTOR	63
	WMP			MWBSC-L MWBSC-S	
	UNF CAP	56		METRIC WELD ELBOW	64
	WCP			MWE-L MWE-S	
	ORFS MALE PLUG	57		BSP THREAD REDUCER	65
	OMP			MRTS	
	ORFS SWIVEL CAP	57		BSP THREAD EXPANDER	66
	OSC			MRTE	
	BSP FEMALE THREAD COUPLING	58		METRIC TUBE NUT	67
	RFTC			MRN-L MRN-S	
	BSP MALE THREAD WEL- DING NIPPLE	59		CUTTING RING	68
	RMT			CR-L CR-S	
	BSP FEMALE THREAD COUP- LING FOR WELD	59		BSP METRIC NIPPLES WITH ELASTOMERIC SEAL	69
	RFT			RMWE-L	
	UNF MALE THREAD WEL- DING NIPPLE	60		BSP METRIC NIPPLES WITH ELASTOMERIC SEAL	70
	WMT			RMWE-S	
	METRIC MALE THREAD WELDING NIPPLE	61		MALE METRIC WITH ELAS- TOMERIC SEAL - METRIC 24° CONE NIPPLE	71
	MMWN-L MMWN-S			MMWE-L MMWE-S	

**METRIC 24° STRAIGHT UNION CONNECTOR**

MSUC-L MSUC-S

**72**

**BSP ORFS NIPPLES WITH ELASTOMERIC SEAL**

ROWE

**81**

**METRIC STRAIGHT REDUCER**

MSR-L MSR-S

**73**

**BSP WITH ELASTOMERIC SEAL - ORFS FEMALE SWIVEL CONNECTOR**

RWES

**82**

**METRIC - UNF NIPPLE**

MMSE

**74**

**BSP - METRIC SWIVEL CONNECTOR - L TYPE**

RMSC-L

**83**

**BSP - UNF NIPPLE**

RMSE

**75**

**BSP - METRIC SWIVEL CONNECTOR - S TYPE**

RMSC-S

**84**

**UNF STRAIGHT UNION CONNECTOR**

WSUC

**76**

**METRIC REDUCING SWIVEL STRAIGHT ADAPTER**

MRSS-L MRSS-S

**85**

**BSPT - UNF NIPPLE**

NTFN

**77**

**METRIC STRAIGHT UNION SWIVEL REDUCER**

MSUS-L MSUS-S

**86**

**BSP STRAIGHT UNION CONNECTOR**

RSUC

**78**

**BSP STRAIGHT SWIVEL CONNECTOR**

RSSC

**87**

**BSP - BSP STRAIGHT REDUCER**

RSR

**79**

**BSP METAL SEALING UNF FEMALE SWIVEL CONNECTOR**

RMS

**88**

**BSP METAL SEAL EDGE - BSP 30° FLARE NIPPLE**

RMSE

**80**

**PRESSURE GAUGE CONNECTOR**

RFMM-L RFMM-S

**89**

**BSP 30° FLARE STRAIGHT UNION CONNECTOR**

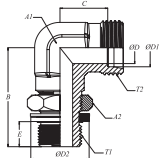
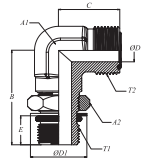
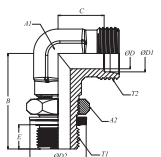
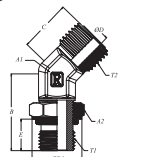
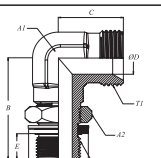
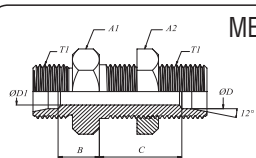
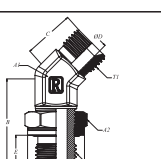
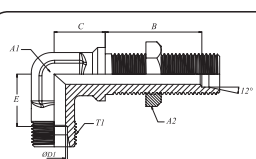
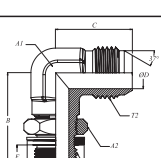
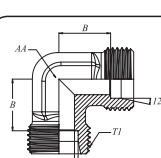
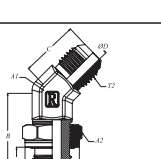
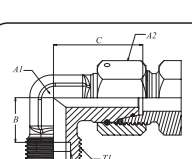
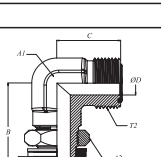
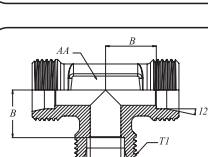
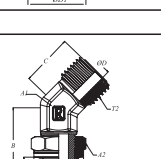
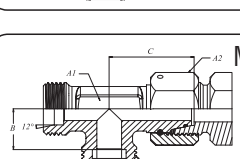
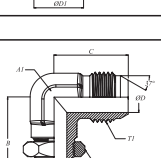
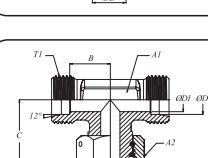
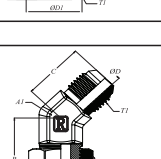
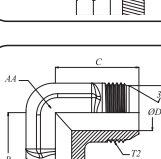
RFSU

**80**

**PRESSURE GAUGE SWIVEL CONNECTOR**

RFMS-L RFMS-S

**90**

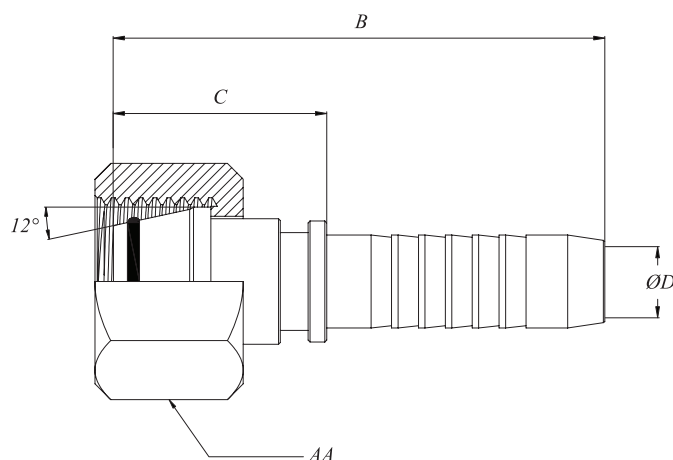
	BSP METRIC 90° ADJUSTABLE STUD ELBOW	91		UNF - ORFS 90° ADJUSTABLE STUD ELBOW	101
	MCAT-L			OTAT	
	BSP METRIC 90° ADJUSTABLE STUD ELBOW	92		UNF - ORFS 45° ADJUSTABLE STUD ELBOW	102
	MCAT-S			OTAT4545	
	BSP - BSP 90° ADJUSTABLE STUD ELBOW	93		METRIC BULKHEAD UNION CONNECTOR	103
	RTAT			MBUC-L MBUC-S	
	BSP - BSP 45° ADJUSTABLE STUD ELBOW	94		METRIC BULKHEAD ELBOW	104
	RTAT45			MBEC-L MBEC-S	
	BSP - UNF 90° ADJUSTABLE STUD ELBOW	95		METRIC ELBOWS	105
	RFAT			ME-L ME-S	
	BSP - UNF 45° ADJUSTABLE STUD ELBOW	96		METRIC SWIVEL ELBOWS	106
	RFAT45			MSE-L MSE-S	
	BSP - ORFS 90° ADJUSTABLE STUD ELBOW	97		METRIC TEE	107
	OTRT			MTT-L MTT-S	
	BSP - ORFS 45° ADJUSTABLE STUD ELBOW	98		METRIC SWIVEL RUN TEE	108
	OTRT45			MSRT-L MSRT-S	
	UNF - UNF 90° ADJUSTABLE STUD ELBOW	99		METRIC SWIVEL BRANCH TEE	109
	WFAT			MSBT-L MSBT-S	
	UNF - UNF 45° ADJUSTABLE STUD ELBOW	100		BSPT - UNF MALE STUD ELBOW	110
	WFAT45			NFE	



	<b>BSPT - METRIC MALE STUD ELBOW</b> MCEM-L	<b>111</b>		<b>UNF SWIVEL RUN TEE</b> USRT	<b>121</b>
	<b>BSPT - METRIC MALE STUD ELBOW</b> MCEM-S	<b>112</b>		<b>UNF SWIVEL BRANCH TEE</b> USBT	<b>122</b>
	<b>ORFS ELBOWS</b> OE	<b>113</b>		<b>BSPT - BSP MALE STUD ELBOW</b> CMET	<b>123</b>
	<b>ORFS SWIVEL ELBOWS</b> OSE	<b>114</b>		<b>MALE BSPT THREAD - BSP FEMALE SWIVEL ELBOWS</b> MBT	<b>124</b>
	<b>ORFS TEE</b> ORTT	<b>115</b>		<b>BSP TEE</b> RBT	<b>125</b>
	<b>ORFS SWIVEL RUN TEE</b> OSRT	<b>116</b>		<b>BSP SWIVEL RUN TEE</b> RSRT	<b>126</b>
	<b>ORFS SWIVEL BRANCH TEE</b> OSBT	<b>117</b>		<b>BSP SWIVEL BRANCH TEE</b> RSBT	<b>127</b>
	<b>UNF ELBOWS</b> UE	<b>118</b>		<b>BSP FEMALE THREAD ELBOWS</b> RFTE	<b>128</b>
	<b>UNF SWIVEL ELBOWS</b> USE	<b>119</b>		<b>BSP FEMALE THREAD TEE</b> RFTT	<b>129</b>
	<b>UNF TEE</b> UT	<b>120</b>		<b>BSPT MALE - BSP FEMALE THREAD ELBOW</b> MWT	<b>130</b>

	<p>BSP - METRIC BANJO ELBOW</p>	<p>131</p>	
	<p>BSP - METRIC BANJO ELBOW</p>	<p>132</p>	
	<p>BSP FEMALE METRIC SWIVEL RUN TEE</p>	<p>133</p>	
	<p>BSP FEMALE MALE METRIC TEE</p>	<p>133</p>	
	<p>DN2 - DN4 PIPE END FLAT FITTINGS</p>	<p>134</p>	
	<p>UNF BLOCK ORING - METRIC NIPPLE</p>	<p>135</p>	
	<p>UNF BLOCK ORING - ORFS NIPPLE</p>	<p>136</p>	
	<p>UNF BLOK ORINGS-UNF NIPPLE</p>	<p>137</p>	

## METRIC FEMALE STRAIGHT SWIVEL HOSE FITTINGS

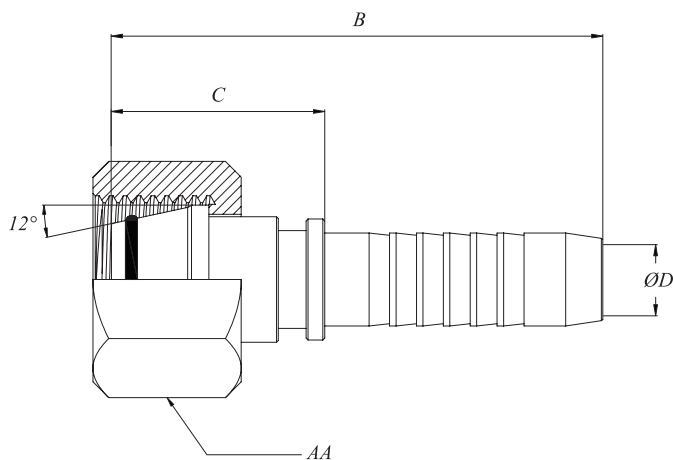


MATERIAL CODE	HOSE SIZE		NUT SIZE		B	C	ØD	AA
	mm	inch						

## L TYPE

EMN-0506-MFSF-L	05	3/16	M12x1,5	6L	42.5	22	3.2	14
EMN-0508-MFSF-L	05	3/16	M14x1,5	8L	41.5	21	3.2	17
EMN-0606-MFSF-L	06	1/4	M12x1,5	6L	46	21	4	17
EMN-0608-MFSF-L	06	1/4	M14x1,5	8L	46	21.5	4	17
EMN-0610-MFSF-L	06	1/4	M16x1,5	10L	47.5	23	4	19
EMN-0612-MFSF-L	06	1/4	M18x1,5	12L	48	23.5	4	22
EMN-0808-MFSF-L	08	5/16	M14x1,5	8L	48.5	22	5.5	19
EMN-0810-MFSF-L	08	5/16	M16x1,5	10L	49.5	23	5.5	19
EMN-0812-MFSF-L	08	5/16	M18x1,5	12L	50	23.5	5.5	22
EMN-1010-MFSF-L	10	3/8	M16x1,5	10L	52.5	23	7	21
EMN-1012-MFSF-L	10	3/8	M18x1,5	12L	53	23.5	7	22
EMN-1015-MFSF-L	10	3/8	M22x1,5	15L	56	26.5	7	27
EMN-1312-MFSF-L	12	1/2	M18x1,5	12L	59	27	9	22
EMN-1315-MFSF-L	12	1/2	M22x1,5	15L	59.5	27.5	9	27
EMN-1318-MFSF-L	12	1/2	M26x1,5	18L	57	25	9	32
EMN-1618-MFSF-L	16	5/8	M26x1,5	18L	65	26	12	32
EMN-1922-MFSF-L	19	3/4	M30x2	22L	72.5	29.5	14	36
EMN-1928-MFSF-L	19	3/4	M36x2	28L	73	30	14	41
EMN-2528-MFSF-L	25	1"	M36x2	28L	85	30.5	19	41
EMN-2535-MFSF-L	25	1"	M45x2	35L	87.5	34	19	50
EMN-3235-MFSF-L	32	1"1/4	M45x2	35L	94.5	35	25	50
EMN-3242-MFSF-L	32	1"1/4	M52x2	42L	96	36.5	25	60
EMN-3842-MFSF-L	38	1"1/2	M52x2	42L	109	37	29	60

## METRIC FEMALE STRAIGHT SWIVEL HOSE FITTINGS

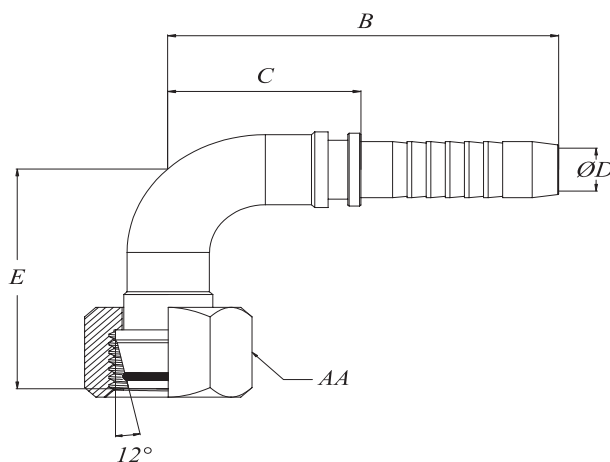


MATERIAL CODE	HOSE SIZE		NUT SIZE	B	C	ØD	AA
	mm	inch					

**S TYPE**

EMN-0506-MFSF-S	05	3/16	M14x1,5	6S	41.5	21	3.2	17
EMN-0606-MFSF-S	06	1/4	M14x1,5	6S	46	22	4	17
EMN-0608-MFSF-S	06	1/4	M16x1,5	8S	47	23	4	19
EMN-0610-MFSF-S	06	1/4	M18x1,5	10S	47.5	23	4	22
EMN-0808-MFSF-S	08	5/16	M16x1,5	8S	49	22.5	5.5	19
EMN-0810-MFSF-S	08	5/16	M18x1,5	10S	50	23.5	5.5	22
EMN-0812-MFSF-S	08	5/16	M20x1,5	12S	50	23.5	5.5	24
EMN-1010-MFSF-S	10	3/8	M18x1,5	10S	52.5	23	7	22
EMN-1012-MFSF-S	10	3/8	M20x1,5	12S	53.5	24	7	24
EMN-1016-MFSF-S	10	3/8	M24x1,5	16S	56.5	27	7	30
EMN-1312-MFSF-S	12	1/2	M20x1,5	12S	57.5	25.5	9	24
EMN-1316-MFSF-S	12	1/2	M24x1,5	16S	60	28	9	30
EMN-1616-MFSF-S	16	5/8	M24x1,5	16S	70	30	12	30
EMN-1620-MFSF-S	16	5/8	M30x2	20S	71.5	32.5	12	36
EMN-1920-MFSF-S	19	3/4	M30x2	20S	76	33	14	36
EMN-1925-MFSF-S	19	3/4	M36x2	25S	75	32	14	46
EMN-2525-MFSF-S	25	1"	M36x2	25S	86	32.5	19	46
EMN-2530-MFSF-S	25	1"	M42x2	30S	93.5	35	19	50
EMN-3230-MFSF-S	32	1"1/4	M42x2	30S	101	41.5	24	50
EMN-3238-MFSF-S	32	1"1/4	M52x2	38S	97.5	38	25	60
EMN-3838-MFSF-S	38	1"1/2	M52x2	38S	110.5	38.5	29	60

## METRIC FEMALE 90° ELBOW SWIVEL HOSE FITTINGS



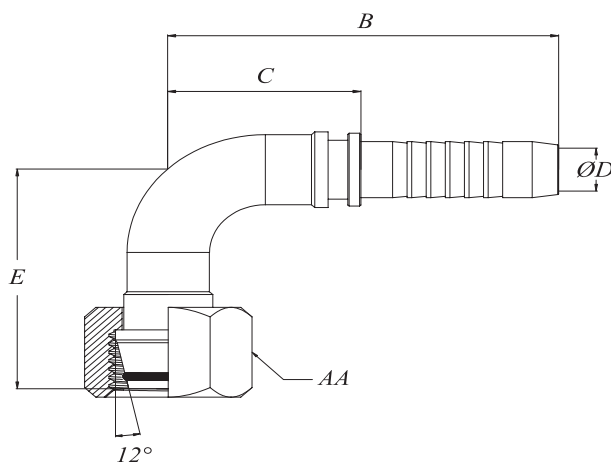
MATERIAL CODE	HOSE SIZE		NUT SIZE	B	C	E	ØD	AA
	mm	inch						

## L TYPE

EMN-0506-MF090-L	05	3/16	M12x1,5	6L	45	25	31	3.2	14
EMN-0508-MF090-L	05	3/16	M14x1,5	8L	45	25	31	3.2	17
EMN-0606-MF090-L	06	1/4	M12x1,5	6L	50	25	33	4	17
EMN-0608-MF090-L	06	1/4	M14x1,5	8L	50	25	32	4	17
EMN-0610-MF090-L	06	1/4	M16x1,5	10L	50	25	32	4	19
EMN-0612-MF090-L	06	1/4	M18x1,5	12L	50	25	33	4	22
EMN-0808-MF090-L	08	5/16	M14x1,5	8L	55	28	35.5	5.5	19
EMN-0810-MF090-L	08	5/16	M16x1,5	10L	55	28	33	5.5	19
EMN-0812-MF090-L	08	5/16	M18x1,5	12L	55	28	33.5	5.5	22
EMN-1010-MF090-L	10	3/8	M16x1,5	10L	61.5	32.5	38	7	21
EMN-1012-MF090-L	10	3/8	M18x1,5	12L	61.5	32.5	35	7	22
EMN-1015-MF090-L	10	3/8	M22x1,5	15L	61.5	32.5	36	7	27
EMN-1312-MF090-L	12	1/2	M18x1,5	12L	69.5	37.5	43	9	22
EMN-1315-MF090-L	12	1/2	M22x1,5	15L	69.5	37.5	42	9	27
EMN-1318-MF090-L	12	1/2	M26x1,5	18L	69.5	37.5	45	9	32
EMN-1618-MF090-L	16	5/8	M26x1,5	18L	84	45	47	12	32
EMN-1922-MF090-L	19	3/4	M30x2	22L	100	57	53	14	36
EMN-1928-MF090-L	19	3/4	M36x2	28L	100	57	56	14	41
EMN-2528-MF090-L	25	1"	M36x2	28L	122	69	70	19	41
EMN-2535-MF090-L	25	1"	M45x2	35L	122	69	78	19	50
EMN-3235-MF090-L	32	1"1/4	M45x2	35L	140	80	80	25	50
EMN-3242-MF090-L	32	1"1/4	M52x2	42L	140	80	82	25	60
EMN-3842-MF090-L	38	1"1/2	M52x2	42L	175	105	90	29	60



## METRIC FEMALE 90° ELBOW SWIVEL HOSE FITTINGS

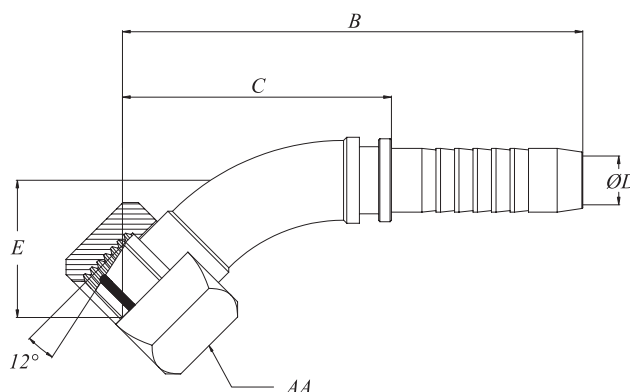


MATERIAL CODE	HOSE SIZE		NUT SIZE	B	C	E	ØD	AA
	mm	inch						

**S TYPE**

EMN-0506-MF090-S	05	3/16	M14x1,5	6S	45	25	31	3.2	17
EMN-0606-MF090-S	06	1/4	M14x1,5	6S	50	25	32	4	17
EMN-0608-MF090-S	06	1/4	M16x1,5	8S	50	25	32	4	19
EMN-0610-MF090-S	06	1/4	M18x1,5	10S	50	25	33	4	22
EMN-0808-MF090-S	08	5/16	M16x1,5	8S	55	28	33	5.5	19
EMN-0810-MF090-S	08	5/16	M18x1,5	10S	55	28	34	5.5	22
EMN-0812-MF090-S	08	5/16	M20x1,5	12S	55	28	35	5.5	24
EMN-1010-MF090-S	10	3/8	M18x1,5	10S	61.5	32.5	36	7	22
EMN-1012-MF090-S	10	3/8	M20x1,5	12S	61.5	32.5	37	7	24
EMN-1016-MF090-S	10	3/8	M24x1,5	16S	61.5	32.5	38	7	30
EMN-1312-MF090-S	12	1/2	M20x1,5	12S	69.5	37.5	43.5	9	24
EMN-1316-MF090-S	12	1/2	M24x1,5	16S	69.5	37.5	41	9	30
EMN-1616-MF090-S	16	5/8	M24x1,5	16S	84	45	52	12	30
EMN-1620-MF090-S	16	5/8	M30x2	20S	84	45	50	12	36
EMN-1920-MF090-S	19	3/4	M30x2	20S	100	57	57	14	36
EMN-1925-MF090-S	19	3/4	M36x2	25S	100	57	57	14	46
EMN-2525-MF090-S	25	1"	M36x2	25S	122	69	64	19	46
EMN-2530-MF090-S	25	1"	M42x2	30S	130	71	64	19	50
EMN-3230-MF090-S	32	1"1/4	M42x2	30S	140	80	84	24	50
EMN-3238-MF090-S	32	1"1/4	M52x2	38S	140	80	85	25	60
EMN-3838-MF090-S	38	1"1/2	M52x2	38S	175	105	90	29	60

## METRIC FEMALE 45° ELBOW SWIVEL HOSE FITTINGS

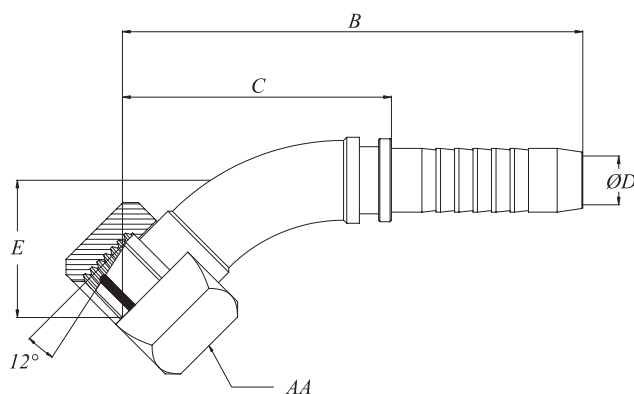


MATERIAL CODE	HOSE SIZE		NUT SIZE	B	C	E	ØD	AA
	mm	inch						

## L TYPE

EMN-0506-MF045-L	05	3/16	M12x1,5	6L	53	33	13	3.2	14
EMN-0508-MF045-L	05	3/16	M14x1,5	8L	60	40	15	3.2	17
EMN-0606-MF045-L	06	1/4	M12x1,5	6L	65	40	15	4	17
EMN-0608-MF045-L	06	1/4	M14x1,5	8L	62	37	15	4	17
EMN-0610-MF045-L	06	1/4	M16x1,5	10L	64	39	17	4	19
EMN-0612-MF045-L	06	1/4	M18x1,5	12L	64	39	19	4	22
EMN-0808-MF045-L	08	5/16	M14x1,5	8L	69	42	19	5.5	19
EMN-0810-MF045-L	08	5/16	M16x1,5	10L	65	38	17	5.5	19
EMN-0812-MF045-L	08	5/16	M18x1,5	12L	67	40	18	5.5	22
EMN-1010-MF045-L	10	3/8	M16x1,5	10L	77	47	20	7	21
EMN-1012-MF045-L	10	3/8	M18x1,5	12L	74	44	20	7	22
EMN-1015-MF045-L	10	3/8	M22x1,5	15L	78	48	21	7	27
EMN-1312-MF045-L	12	1/2	M18x1,5	12L	87	54	21	9	22
EMN-1315-MF045-L	12	1/2	M22x1,5	15L	84	51	22	9	27
EMN-1318-MF045-L	12	1/2	M26x1,5	18L	82,5	50	20	9	32
EMN-1618-MF045-L	16	5/8	M26x1,5	18L	96	57	25	12	32
EMN-1922-MF045-L	19	3/4	M30x2	22L	106	63	26	14	36
EMN-1928-MF045-L	19	3/4	M36x2	28L	110	67	30	14	41
EMN-2528-MF045-L	25	1"	M36x2	28L	137	84	35	19	41
EMN-2535-MF045-L	25	1"	M45x2	35L	150	97	44	19	50
EMN-3235-MF045-L	32	1"1/4	M45x2	35L	170	110	35	25	50
EMN-3242-MF045-L	32	1"1/4	M52x2	42L	165	105	40	25	60
EMN-3842-MF045-L	38	1"1/2	M52x2	42L	185	113	48	29	60

## METRIC FEMALE 45° ELBOW SWIVEL HOSE FITTINGS

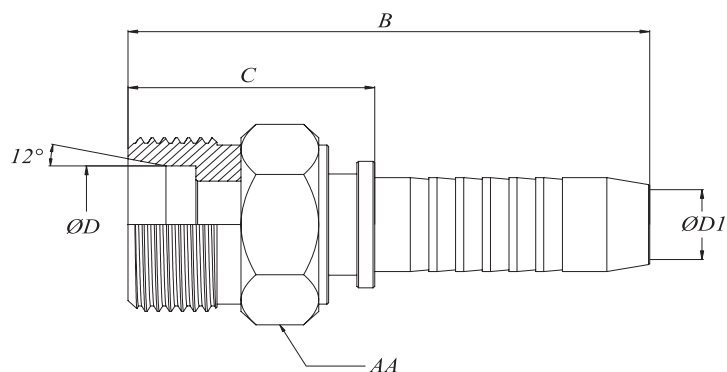


MATERIAL CODE	HOSE SIZE		NUT SIZE	B	C	E	ØD	AA
	mm	inch						

**S TYPE**

EMN-0506-MF045-S	05	3/16	M14x1,5	6S	52	31,5	12	3,2	17
EMN-0606-MF045-S	06	1/4	M14x1,5	6S	64	39,5	17	4	17
EMN-0608-MF045-S	06	1/4	M16x1,5	8S	65	40,5	18	4	19
EMN-0610-MF045-S	06	1/4	M18x1,5	10S	67	43	20	4	22
EMN-0808-MF045-S	08	5/16	M16x1,5	8S	65	38,5	13	5,5	19
EMN-0810-MF045-S	08	5/16	M18x1,5	8S	67	41	15	5,5	22
EMN-0812-MF045-S	08	5/16	M20x1,5	8S	67	41	15	5,5	24
EMN-1010-MF045-S	10	3/8	M18x1,5	8S	76	47	21	7	22
EMN-1012-MF045-S	10	3/8	M20x1,5	12S	76	47	21	7	24
EMN-1016-MF045-S	10	3/8	M24x1,5	16S	78	49	23	7	30
EMN-1312-MF045-S	12	1/2	M20x1,5	12S	87	54	21	9	24
EMN-1316-MF045-S	12	1/2	M24x1,5	16S	85	52	22	9	30
EMN-1616-MF045-S	16	5/8	M24x1,5	16S	103	63	26	12	30
EMN-1620-MF045-S	16	5/8	M30x2	20S	105	65	28	12	36
EMN-1920-MF045-S	19	3/4	M30x2	20S	110	67	31	14	36
EMN-1925-MF045-S	19	3/4	M36x2	25S	123	80	34	14	46
EMN-2525-MF045-S	25	1"	M36x2	25S	138	85	32	19	46
EMN-2530-MF045-S	25	1"	M42x2	30S	148	95	42	19	50
EMN-3230-MF045-S	32	1"1/4	M42x2	30S	175	115	46	24	50
EMN-3238-MF045-S	32	1"1/4	M52x2	38S	165	105	40	25	60
EMN-3838-MF045-S	38	1"1/2	M52x2	38S	185	113	50	29	60

## METRIC MALE STRAIGHT HOSE FITTINGS

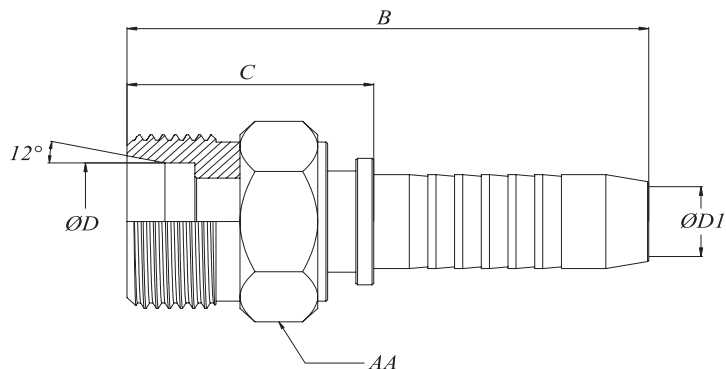


MATERIAL CODE	HOSE SIZE		NUT SIZE	B	C	ØD	ØD1	AA
	mm	inch						

## L TYPE

EMN-0506-MM-L	05	3/16	M12x1,5	6L	41.5	20.5	6	3.2	12
EMN-0508-MM-L	05	3/16	M14x1,5	8L	42	21	8	3.2	14
EMN-0606-MM-L	06	1/4	M12x1,5	6L	46	21	6	4	12
EMN-0608-MM-L	06	1/4	M14x1,5	8L	46,5	21.5	8	4	14
EMN-0610-MM-L	06	1/4	M16x1,5	10L	48	23	10	4	17
EMN-0612-MM-L	06	1/4	M18x1,5	12L	50	25	12	4	19
EMN-0808-MM-L	08	5/16	M14x1,5	8L	48.5	21.5	8	5.5	14
EMN-0810-MM-L	08	5/16	M16x1,5	10L	50	23	10	5.5	17
EMN-0812-MM-L	08	5/16	M18x1,5	12L	51	24	12	5.5	19
EMN-1010-MM-L	10	3/8	M16x1,5	10L	53	23	10	7	17
EMN-1012-MM-L	10	3/8	M18x1,5	12L	54	24	12	7	19
EMN-1015-MM-L	10	3/8	M22x1,5	15L	57	27	15	7	22
EMN-1312-MM-L	12	1/2	M18x1,5	12L	57.5	24.5	12	9	19
EMN-1315-MM-L	12	1/2	M22x1,5	15L	60.5	27.5	15	9	22
EMN-1618-MM-L	16	5/8	M26x1,5	18L	69	29	18	12	27
EMN-1622-MM-L	16	5/8	M30x2	22L	72	32	22	12	32
EMN-1922-MM-L	19	3/4	M30x2	22L	76.5	32	22	14	32
EMN-2528-MM-L	25	1"	M36x2	28L	88	34	28	19	36
EMN-2535-MM-L	25	1"	M45x2	35L	94	40	35	19	46
EMN-3235-MM-L	32	1"1/4	M45x2	35L	101	42	35	25	46
EMN-3842-MM-L	38	1"1/2	M52x2	42L	112	40	42	29	55

## METRIC MALE STRAIGHT HOSE FITTINGS



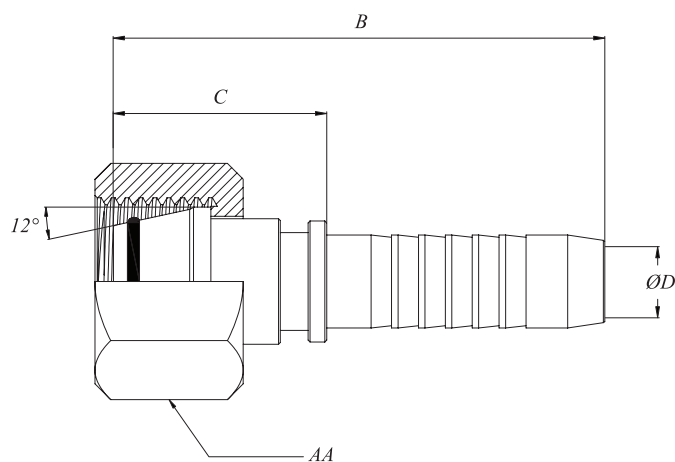
MATERIAL CODE	HOSE SIZE		NUT SIZE	B	C	ØD	ØD1	AA
	mm	inch						

**S TYPE**

EMN-0608-MM-S	6	1/4	M16x1,5	8S	51	26	12	4	17
EMN-0610-MM-S	6	1/4	M18x1,5	10S	51	26	12	4	19
EMN-0810-MM-S	8	5/16	M18x1,5	10S	53	26	12	5.5	29
EMN-0812-MM-S	08	5/16	M20x1,5	12S	53.5	26.5	12	5.5	22
EMN-1010-MM-S	10	3/8	M18x1,5	10S	56	26	12	7	19
EMN-1012-MM-S	10	3/8	M20x1,5	12S	56	26	12	7	22
EMN-1016-MM-S	10	3/8	M24x1,5	16S	59.5	29.5	16	7	24
EMN-1316-MM-S	12	1/2	M24x1,5	16S	63	30	16	9	24
EMN-1616-MM-S	16	5/8	M24x1,5	16S	71	31	16	12	24
EMN-1620-MM-S	16	5/8	M30x2	20S	74.5	34.5	20	12	32
EMN-1920-MM-S	19	3/4	M30x2	20S	79	35	20	14	32
EMN-1925-MM-S	19	3/4	M36x2	25S	81.5	37.5	25	14	36
EMN-2525-MM-S	25	1"	M36x2	25S	92.5	38.5	25	19	36
EMN-2530-MM-S	25	1"	M42x2	30S	97.5	43.5	30	19	46
EMN-3230-MM-S	32	1"1/4	M42x2	30S	104.5	45	30	25	46
EMN-3238-MM-S	32	1"1/4	M52x2	38S	108	49	38	25	55
EMN-3838-MM-S	38	1"1/2	M52x2	38S	121	49	38	29	55

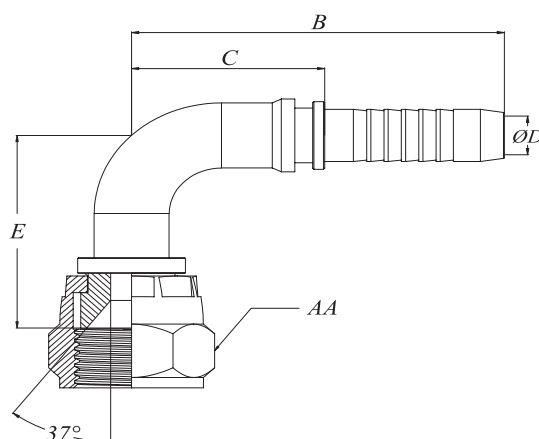


## UNF FEMALE STRAIGHT SWIVEL HOSE FITTINGS



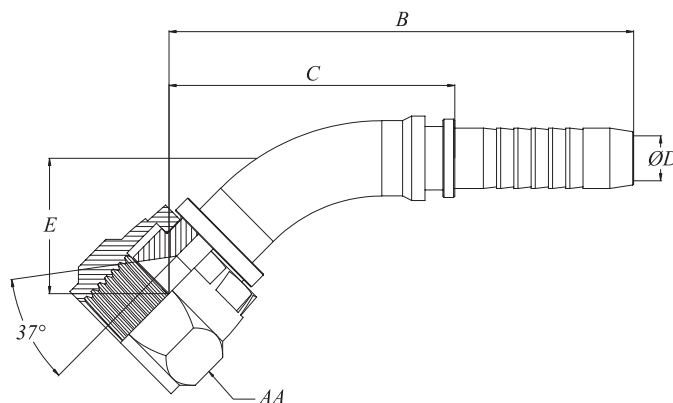
MATERIAL CODE	HOSE SIZE		NUT SIZE	B	C	ØD	AA
	mm	inch					
EMN-0511-WFS	05	3/16	7/16-20	35	14	3.2	16
EMN-0611-WFS	06	1/4	7/16-20	39.5	14.5	4	16
EMN-0612-WFS	06	1/4	1/2-20	40	15	4	17
EMN-0614-WFS	06	1/4	9/16-18	41.5	16.5	4	19
EMN-0812-WFS	08	5/16	1/2-20	42	15	5.5	17
EMN-0814-WFS	08	5/16	9/16-18	43.5	16.5	5.5	19
EMN-0816-WFS	08	5/16	5/8-18	44	17	5.5	21
EMN-0819-WFS	08	5/16	3/4-16	46.5	19.5	5.5	24
EMN-1014-WFS	10	3/8	9/16-18	46.5	16.5	7	19
EMN-1016-WFS	10	3/8	5/8-18	47	17	7	21
EMN-1019-WFS	10	3/8	3/4-16	49.5	19.5	7	24
EMN-1022-WFS	10	3/8	7/8-14	50.5	20.5	7	27
EMN-1319-WFS	12	1/2	3/4-16	53	20	9	24
EMN-1322-WFS	12	1/2	7/8-14	54	21	9	27
EMN-1622-WFS	16	5/8	7/8-14	62	22	12	27
EMN-1627-WFS	16	5/8	1"1/16-12	65.5	25.5	12	32
EMN-1927-WFS	19	3/4	1"1/16-12	70	26	14	32
EMN-1933-WFS	19	3/4	1"5/16-12	73	29	14	41
EMN-2533-WFS	25	1"	1"5/16-12	84	30	19	41
EMN-3241-WFS	32	1"1/4	1"5/8-12	94.5	35	25	50
EMN-3847-WFS	38	1"1/2	1"7/8-12	107.5	35.5	29	55
EMN-5063-WFS	50	2"	2"1/2-12	98	38	42	75

## UNF FEMALE 90° ELBOW SWIVEL HOSE FITTINGS



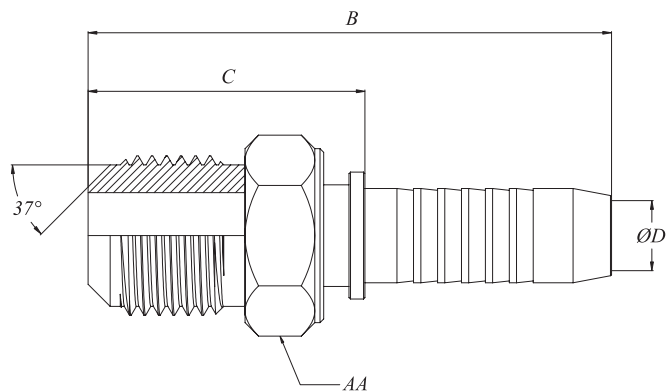
MATERIAL CODE	HOSE SIZE		NUT SIZE	B	C	E	ØD	AA
	mm	inch						
EMN-0511-WFF90	05	3/16	7/16-20	45	25	23	3.2	16
EMN-0611-WFF90	06	1/4	7/16-20	50	25	26	4	16
EMN-0612-WFF90	06	1/4	1/2-20	50	25	28	4	17
EMN-0614-WFF90	06	1/4	9/16-18	50	25	28	4	19
EMN-0812-WFF90	08	5/16	1/2-20	55	28	29	5.5	17
EMN-0814-WFF90	08	5/16	9/16-18	55	28	30	5.5	19
EMN-0816-WFF90	08	5/16	5/8-18	55	28	30	5.5	21
EMN-0819-WFF90	08	5/16	3/4-16	55	28	31	5.5	24
EMN-1014-WFF90	10	3/8	9/16-18	61.5	32.5	32	7	19
EMN-1016-WFF90	10	3/8	5/8-18	61.5	32.5	32	7	21
EMN-1019-WFF90	10	3/8	3/4-16	61.5	32.5	33	7	24
EMN-1022-WFF90	10	3/8	7/8-14	61.5	32.5	35	7	27
EMN-1319-WFF90	12	1/2	3/4-16	69.5	37.5	36	9	24
EMN-1322-WFF90	12	1/2	7/8-14	69.5	37.5	37	9	27
EMN-1622-WFF90	16	5/8	7/8-14	84	45	45	12	27
EMN-1627-WFF90	16	5/8	1"1/16-12	84	45	48	12	32
EMN-1927-WFF90	19	3/4	1"1/16-12	100	57	53	14	32
EMN-1933-WFF90	19	3/4	1"1/16-12	100	56	56	14	41
EMN-2533-WFF90	25	1"	1"5/16-12	129	76	62	19	41
EMN-3241-WFF90	32	1"1/4	1"5/8-12	140	80	85	25	50
EMN-3847-WFF90	38	1"1/2	1"7/8-12	175	105	101	29	55

## UNF FEMALE 45° ELBOW SWIVEL HOSE FITTINGS



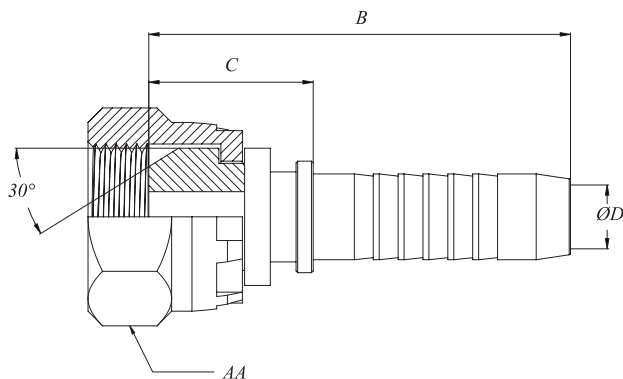
MATERIAL CODE	HOSE SIZE		NUT SIZE	B	C	E	ØD	AA
	mm	inch						
EMN-0511-WFF45	05	3/16	7/16-20	52	30	12	3.2	16
EMN-0611-WFF45	06	1/4	7/16-20	60	35	15	4	16
EMN-0612-WFF45	06	1/4	1/2-20	60	35	16	4	17
EMN-0614-WFF45	06	1/4	9/16-18	60	35	16	4	19
EMN-0812-WFF45	08	5/16	1/2-20	68	41	16	5.5	17
EMN-0814-WFF45	08	5/16	9/16-18	68	41	16	5.5	19
EMN-0816-WFF45	08	5/16	5/8-18	68	41	16	5.5	21
EMN-0819-WFF45	08	5/16	3/4-16	70	43	18	5.5	24
EMN-1014-WFF45	10	3/8	9/16-18	72	42	17	7	19
EMN-1016-WFF45	10	3/8	5/8-18	72	42	17	7	21
EMN-1019-WFF45	10	3/8	3/4-16	72	42	17	7	24
EMN-1022-WFF45	10	3/8	7/8-14	72	43	18	7	27
EMN-1319-WFF45	12	1/2	3/4-16	80	47	18	9	24
EMN-1322-WFF45	12	1/2	7/8-14	80	47	19	9	27
EMN-1622-WFF45	16	5/8	7/8-14	98	58	23	12	27
EMN-1627-WFF45	16	5/8	1"1/16-12	100	60	25	12	32
EMN-1927-WFF45	19	3/4	1"1/16-12	107	63	28	14	32
EMN-1933-WFF45	19	3/4	1"5/16-12	109	65	30	14	41
EMN-2533-WFF45	25	1"	1"5/16-12	145	90	35	19	41
EMN-3241-WFF45	32	1"1/4	1"5/8-12	175	115	48	25	50
EMN-3847-WFF45	38	1"1/2	1"7/8-12	200	135	50	29	55

## UNF MALE STRAIGHT HOSE FITTINGS



MATERIAL CODE	HOSE SIZE		NUT SIZE	B	C	ØD	AA
	mm	inch					
EMN-0511-WMF	05	3/16	7/16-20	45.5	24.5	3.2	12
EMN-0611-WMF	06	1/4	7/16-20	50	25	4	12
EMN-0612-WMF	06	1/4	1/2-20	51	26	4	13
EMN-0614-WMF	06	1/4	9/16-18	51.5	26.5	4	14
EMN-0812-WMF	08	5/16	1/2-20	53	26	5.5	13
EMN-0814-WMF	08	5/16	9/16-18	53.5	26.5	5.5	14
EMN-0816-WMF	08	5/16	5/8-18	56	29	5.5	17
EMN-1014-WMF	10	3/8	9/16-18	56.5	26.5	7	14
EMN-1016-WMF	10	3/8	5/8-18	59	29	7	17
EMN-1019-WMF	10	3/8	3/4-16	60	30	7	19
EMN-1319-WMF	12	1/2	3/4-16	63.5	30.5	9	19
EMN-1322-WMF	12	1/2	7/8-14	67.5	34.5	9	22
EMN-1622-WMF	16	5/8	7/8-14	75.5	35.5	12	22
EMN-1627-WMF	16	5/8	1"1/16-12	79.5	39.5	12	27
EMN-1927-WMF	19	3/4	1"1/16-12	84	40	14	27
EMN-2533-WMF	25	1"	1"5/16-12	98.5	44.5	19	36

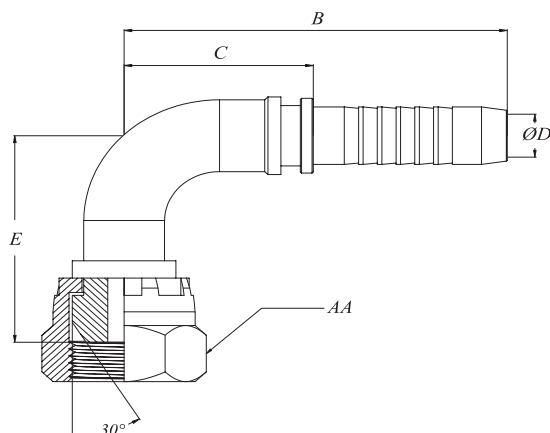
## BSP FEMALE STRAIGHT SWIVEL HOSE FITTINGS



MATERIAL CODE	HOSE SIZE		NUT SIZE	B	C	ØD	AA
	mm	inch					
EMN-0510-RFF	05	3/16	R1/8-28	36	15	3.2	14
EMN-0513-RFF	05	3/16	R1/4-19	38	17	3.2	17
EMN-0610-RFF	06	1/4	R1/8-28	40.5	15	4	14
EMN-0613-RFF	06	1/4	R1/4-19	42.5	17.5	4	17
EMN-0617-RFF	06	1/4	R3/8-19	45	20	4	22
EMN-0621-RFF	06	1/4	R1/2-14	48	23	4	27
EMN-0813-RFF	08	5/16	R1/4-19	44.5	17.5	5.5	17
EMN-0817-RFF	08	5/16	R3/8-19	47	20	5.5	22
EMN-0821-RFF	08	5/16	R1/2-14	50	23	5.5	27
EMN-1017-RFF	10	3/8	R3/8-19	50	20	7	22
EMN-1021-RFF	10	3/8	R1/2-14	53	23	7	27
EMN-1317-RFF	12	1/2	R3/8-19	53.5	20.5	9	22
EMN-1321-RFF	12	1/2	R1/2-14	56.5	23.5	9	27
EMN-1323-RFF	12	1/2	R5/8-14	59	27	9	30
EMN-1326-RFF	12	1/2	R3/4-14	60.5	27.5	9	32
EMN-1621-RFF	16	5/8	R1/2-14	64.5	24.5	12	27
EMN-1623-RFF	16	5/8	R5/8-14	67	27	12	30
EMN-1626-RFF	16	5/8	R3/4-14	67.5	27.5	12	32
EMN-1633-RFF	16	5/8	R1"-11	74	34	12	41
EMN-1926-RFF	19	3/4	R3/4-14	72	28	14	32
EMN-1933-RFF	19	3/4	R1"-11	78	34	14	41
EMN-2533-RFF	25	1"	R1"-11	88	34	19	41
EMN-2542-RFF	25	1"	R1"1/4-11	88.5	34.5	19	50
EMN-3242-RFF	32	1"1/4	R1"1/4-11	95.5	36	25	50
EMN-3848-RFF	38	1"1/2	R1"1/2-11	111.5	39.5	29	55
EMN-5060-RFF	50	2"	R2"-11	103.5	43.5	41	70
EMN-6475-RFF	64	2"1/2	R2"1/2-11	109	49	54	90
EMN-7688-RFF	76	3"	R3"-11	125	60	63	96

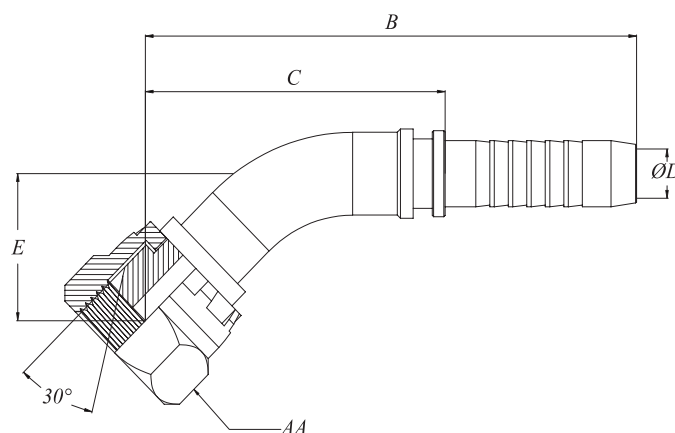


## BSP FEMALE 90° ELBOW SWIVEL HOSE FITTINGS



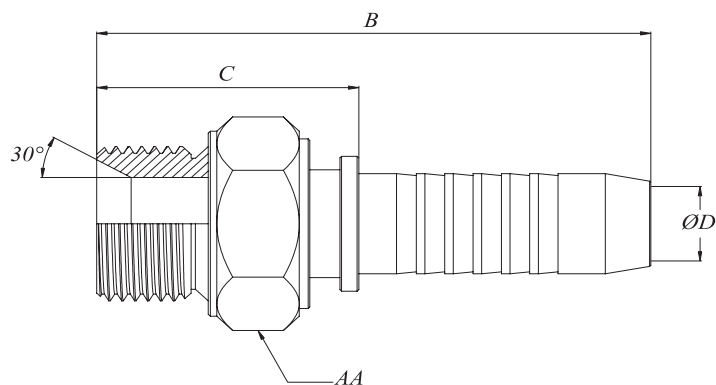
MATERIAL CODE	HOSE SIZE		NUT SIZE	B	C	E	ØD	AA
	mm	inch						
EMN-0510-RF90	05	3/16	R1/8-28	45	25	26	3.2	14
EMN-0513-RF90	05	3/16	R1/4-19	45	25	27	3.2	17
EMN-0610-RF90	06	1/4	R1/8-28	50	25	27	4	14
EMN-0613-RF90	06	1/4	R1/4-19	50	25	29	4	17
EMN-0617-RF90	06	1/4	R3/8-19	50	25	31	4	22
EMN-0621-RF90	06	1/4	R1/2-14	50	25	34	4	27
EMN-0813-RF90	08	5/16	R1/4-19	55	28	30	5.5	17
EMN-0817-RF90	08	5/16	R3/8-19	55	28	33	5.5	22
EMN-0821-RF90	08	5/16	R1/2-14	55	28	35	5.5	27
EMN-1017-RF90	10	3/8	R3/8-19	61.5	32.5	35	7	22
EMN-1021-RF90	10	3/8	R1/2-14	61.5	32.5	37	7	27
EMN-1317-RF90	12	1/2	R3/8-19	69.5	37.5	40	9	22
EMN-1321-RF90	12	1/2	R1/2-14	69.5	37.5	40	9	27
EMN-1623-RF90	16	5/8	R5/8-14	84	45	49	12	30
EMN-1626-RF90	16	5/8	R3/4-14	84	45	50	12	32
EMN-1926-RF90	19	3/4	R3/4-14	100	57	57.5	14	32
EMN-1933-RF90	19	3/4	R1"-11	99	55	62.5	14	41
EMN-2533-RF90	25	1"	R1"-11	122	69	66	19	41
EMN-2542-RF90	25	1"	R1 1/4-11	129	75	66.5	19	50
EMN-3242-RF90	32	1 1/4"	R1 1/4-11	140	80	87	25	50
EMN-3848-RF90	38	1 1/2"	R1 1/2-11	175	105	100	29	55
EMN-5060-RF90	50	2"	R2"-11	155	95	100	41	70
EMN-6475-RF90	64	2 1/2"	R2 1/2-11	180	110	120	54	90
EMN-7688-RF90	76	3"	R3"	210	140	135	68	96

## BSP FEMALE 45° ELBOW SWIVEL HOSE FITTINGS



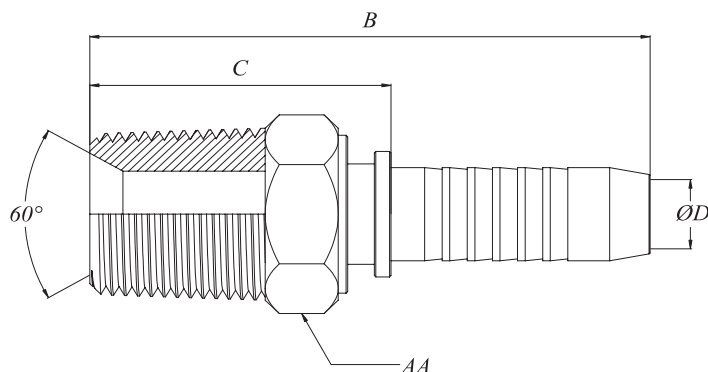
MATERIAL CODE	HOSE SIZE		NUT SIZE	B	C	E	ØD	AA
	mm	inch						
EMN-0510-RF45	05	3/16	R1/8-28	53	32	13	3.2	14
EMN-0513-RF45	05	3/16	R1/4-19	59	39	16	3.2	17
EMN-0610-RF45	06	1/4	R1/8-28	60	35	14	4	14
EMN-0613-RF45	06	1/4	R1/4-19	61	36	15	4	17
EMN-0617-RF45	06	1/4	R3/8-19	62	37	17	4	22
EMN-0621-RF45	06	1/4	R1/2-14	68	43	21	4	27
EMN-0813-RF45	08	5/16	R1/4-19	67	40	18	5.5	17
EMN-0817-RF45	08	5/16	R3/8-19	67	40	18	5.5	22
EMN-0821-RF45	08	5/16	R1/2-14	69	42	22	5.5	27
EMN-1017-RF45	10	3/8	R3/8-19	75	45	20	7	22
EMN-1021-RF45	10	3/8	R1/2-14	79	49	24	7	27
EMN-1317-RF45	12	1/2	R3/8-19	85	52	24	9	22
EMN-1321-RF45	12	1/2	R1/2-14	83	59	25	9	27
EMN-1623-RF45	16	5/8	R5/8-14	98	58	28	12	30
EMN-1626-RF45	16	5/8	R3/4-14	103	63	30	12	32
EMN-1926-RF45	19	3/4	R3/4-14	108	64	32	14	32
EMN-1933-RF45	19	3/4	R1"-11	111.5	67	35.5	14	41
EMN-2533-RF45	25	1"	R1"-11	140	85	33	19	41
EMN-2542-RF45	25	1"	1" 1/4	143	89	33	19	50
EMN-3242-RF45	32	1" 1/4	R1" 1/4-11	165	105	44	25	50
EMN-3848-RF45	38	1" 1/2	R1" 1/2-11	185	115	47	29	55
EMN-5060-RF45	50	2"	R2"	150	90	35	41	70
EMN-6475-RF45	64	2" 1/2	R2" 1/2	190	120	50	54	90
EMN-7688-RF45	76	3"	R3"	210	140	50	68	96

## BSP MALE STRAIGHT HOSE FITTINGS - METAL SEALING EDGE



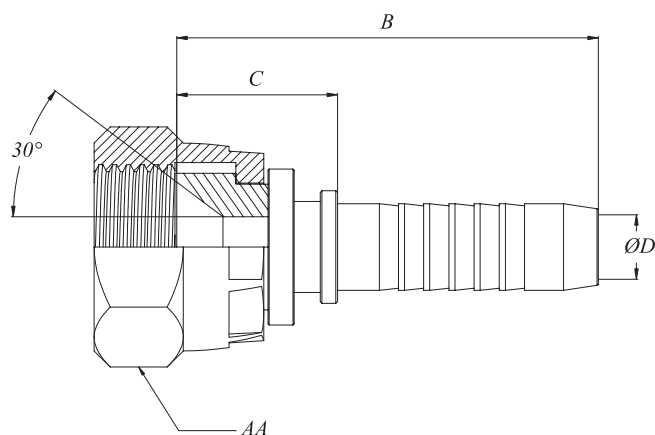
MATERIAL CODE	HOSE SIZE		THREAD SIZE	B	C	ØD	AA
	mm	inch					
EMN-0510-RMF	05	3/16	R1/8-28	41.5	20.5	3.2	14
EMN-0610-RMF	06	1/4	R1/8-28	46	20.5	4	14
EMN-0613-RMF	06	1/4	R1/4-19	50	24	4	19
EMN-0617-RMF	06	1/4	R3/8-19	51.5	26.5	4	22
EMN-0621-RMF	06	1/4	R1/2-14	55	30	4	27
EMN-0821-RMF	08	5/16	R1/2-14	57	30	5.5	27
EMN-1017-RMF	10	3/8	R3/8-19	56.5	26.5	7	22
EMN-1021-RMF	10	3/8	R1/2-14	60	30	7	27
EMN-1321-RMF	12	1/2	R1/2-14	63.5	30.5	9	27
EMN-1626-RMF	16	5/8	R3/4-14	74.5	34.5	12	32
EMN-1633-RMF	16	5/8	R1"-11	78.5	38.5	12	41
EMN-1926-RMF	19	3/4	R3/4-14	79	35	14	32
EMN-2533-RMF	25	1"	R1"-11	94	40	19	41
EMN-3242-RMF	32	1 1/4"	R1 1/4-11	106.5	47.5	25	50
EMN-3848-RMF	38	1 1/2"	R1 1/2-11	121	49	29	55

## BSPT MALE STRAIGHT HOSE FITTINGS



MATERIAL CODE	HOSE SIZE		THREAD SIZE	B	C	E	ØD	AA
	mm	inch						
EMN-0510-NMF	05	3/16	1/8-28	BSPT	42.5	21.5	3.2	12
EMN-0513-NMF	05	3/16	1/4-19	BSPT	48	27	3.2	14
EMN-0610-NMF	06	1/4	1/8-28	BSPT	47	22	4	12
EMN-0613-NMF	06	1/4	1/4-19	BSPT	52.5	27.5	4	14
EMN-0617-NMF	06	1/4	3/8-19	BSPT	53.5	28.5	4	19
EMN-0621-NMF	06	1/4	1/2-14	BSPT	58	33	4	22
EMN-0813-NMF	08	5/16	1/4-19	BSPT	54.5	27.5	5.5	14
EMN-0817-NMF	08	5/16	3/8-19	BSPT	55.5	28.5	5.5	19
EMN-0821-NMF	08	5/16	1/2-14	BSPT	60	33	5.5	22
EMN-1013-NMF	10	3/8	1/4-19	BSPT	57.5	27.5	7	14
EMN-1017-NMF	10	3/8	3/8-19	BSPT	58.5	28.5	7	19
EMN-1021-NMF	10	3/8	1/2-14	BSPT	63	33	7	22
EMN-1321-NMF	12	1/2	1/2-14	BSPT	66.5	33.5	9	22
EMN-1326-NMF	12	1/2	3/4-14	BSPT	70.5	37.5	9	27
EMN-1626-NMF	16	5/8	3/4-14	BSPT	78.5	38.5	12	27
EMN-1926-NMF	19	3/4	3/4-14	BSPT	83	39	14	27
EMN-2533-NMF	25	1"	1"-11	BSPT	99	45	19	36
EMN-3242-NMF	32	1"1/4	1"1/4-11	BSPT	108.5	49.5	25	46
EMN-3848-NMF	38	1"1/2	1"1/2-11	BSPT	123	51	29	50
EMN-5060-NMF	50	2"	2"-11	BSPT	114	54	41	65

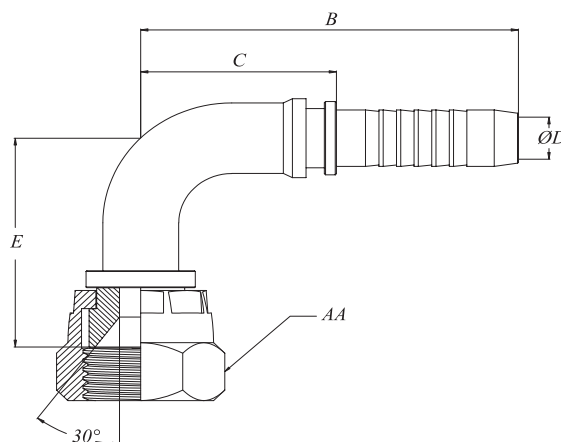
## BSP FEMALE 30° FLARE STRAIGHT SWIVEL HOSE FITTINGS



MATERIAL CODE	HOSE SIZE		NUT SIZE	B	C	ØD	AA
	mm	inch					
EMN-0613-RFSF	06	1/4	R1/4-19	40.5	15.5	4	17
EMN-0617-RFSF	06	1/4	R3/8-19	42.5	17.5	4	22
EMN-0621-RFSF	06	1/4	R1/2-14	43.5	18.5	4	27
EMN-0817-RFSF	08	5/16	R3/8-19	44	17	5.5	22
EMN-0821-RFSF	08	5/16	R1/2-14	46	19	5.5	27
EMN-1017-RFSF	10	3/8	R3/8-19	47	17	7	22
EMN-1021-RFSF	10	3/8	R1/2-14	48	18	7	27
EMN-1321-RFSF	12	1/2	R1/2-14	52	19	9	27
EMN-1626-RFSF	16	5/8	R3/4-14	62.5	22.5	12	32
EMN-1926-RFSF	19	3/4	R3/4-14	67	23	14	32
EMN-2533-RFSF	25	1"	R1"-11	81	27	19	41
EMN-3242-RFSF	32	1"1/4	R1"1/4-11	88	28.5	25	50
EMN-3848-RFSF	38	1"1/2	R1"1/2-11	105.5	33.5	29	55

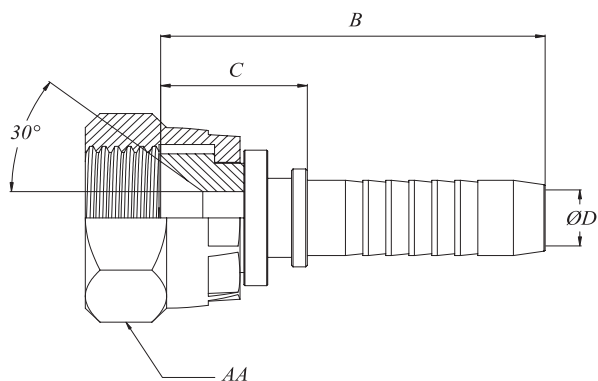


## BSP FEMALE 30° FLARE 90° ELBOW SWIVEL HOSE FITTINGS



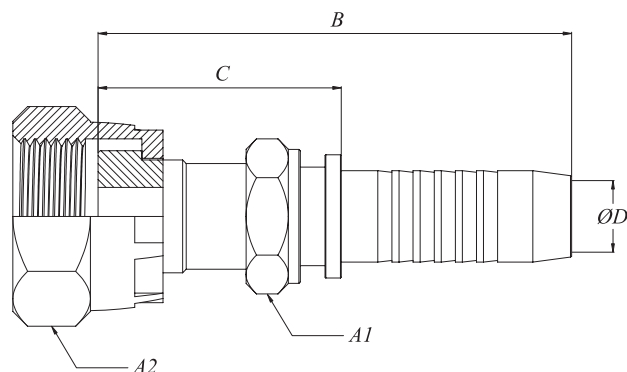
MATERIAL CODE	HOSE SIZE		NUT SIZE	B	C	E	ØD	AA
	mm	inch						
EMN-0613-RFSF90	06	1/4	R1/4-19	50	25	27	4	17
EMN-0617-RFSF90	06	1/4	R3/8-19	50	25	29	4	22
EMN-0621-RFSF90	06	1/4	R1/2-14	50	25	31	4	27
EMN-0817-RFSF90	08	5/16	R3/8-19	55	28	30	5.5	22
EMN-0821-RFSF90	08	5/16	R1/2-14	55	28	32	5.5	27
EMN-1017-RFSF90	10	3/8	R3/8-19	61.5	32.5	33	7	22
EMN-1021-RFSF90	10	3/8	R1/2-14	61.5	32.5	37	7	27
EMN-1321-RFSF90	12	1/2	R1/2-14	69.5	37.5	37	9	27
EMN-1626-RFSF90	16	5/8	R3/4-14	84	45	54	12	32
EMN-1926-RFSF90	19	3/4	R3/4-14	100	57	51	14	32
EMN-2533-RFSF90	25	1"	R1"-11	122	69	66	19	41
EMN-3242-RFSF90	32	1"1/4	R1"1/4-11	140	80	87	25	50
EMN-3848-RFSF90	38	1"1/2	R1"1/2-11	175	105	100	29	55

## KOMATSU METRIC FEMALE 30° FLARE SWIVEL STRAIGHT HOSE FITTINGS



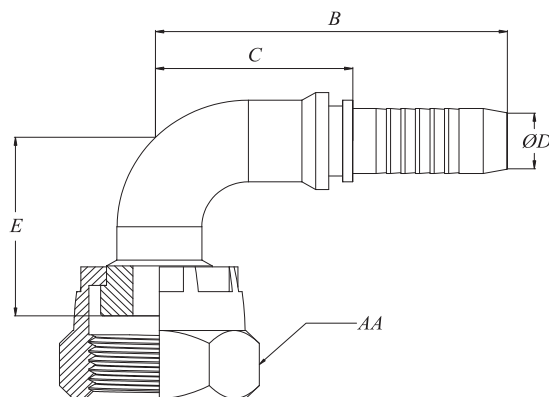
MATERIAL CODE	HOSE SIZE		NUT SIZE	B	C	ØD	AA
	mm	inch					
EMN-0614-MKFF	06	1/4	M14x1,5	40.5	15.5	4	19
EMN-0814-MKFF	08	5/16	M14x1,5	42.5	15.5	5.5	19
EMN-0818-MKFF	08	5/16	M18x1,5	44.5	17.5	5.5	22
EMN-1018-MKFF	10	3/8	M18x1,5	47.5	17.5	7	22
EMN-1322-MKFF	12	1/2	M22x1,5	53	20	9	27
EMN-1324-MKFF	12	1/2	M24x1,5	53.5	20.5	9	30
EMN-1624-MKFF	16	5/8	M24x1,5	61.5	21.5	12	30
EMN-1930-MKFF	19	3/4	M30x1,5	70	26	14	36
EMN-2533-MKFF	25	1"	M33x1,5	85	31	19	41
EMN-3236-MKFF	32	1"1/4	M36x1,5	93.5	34	22	46
EMN-3242-MKFF	32	1"1/4	M42x1,5	93.5	34	25	50

## ORFS FEMALE STRAIGHT SWIVEL HOSE FITTINGS



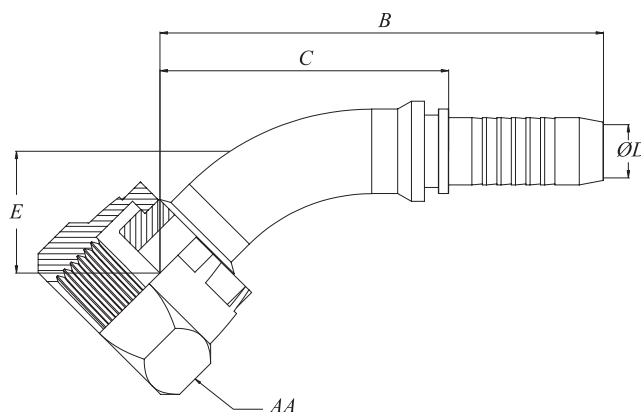
MATERIAL CODE	HOSE SIZE		NUT SIZE	B	C	E	ØD	AA
	mm	inch						
EMN-0614-OFF	06	1/4	9/16-18	52	27	4	13	19
EMN-0617-OFF	06	1/4	11/16-16	55	30	4	17	22
EMN-0814-OFF	08	5/16	9/16-18	54	27	5.5	13	19
EMN-0817-OFF	08	5/16	11/16-16	57	30	5.5	17	22
EMN-1017-OFF	10	3/8	11/16-16	60	30	7	17	22
EMN-1021-OFF	10	3/8	13/16-16	64	34	7	19	24
EMN-1321-OFF	12	1/2	13/16-16	67.5	34.5	9	19	24
EMN-1325-OFF	12	1/2	1"-14	72	39	9	24	30
EMN-1625-OFF	16	5/8	1"-14	80	40	12	24	30
EMN-1630-OFF	16	5/8	1"3/16-12	83.5	43.5	12	30	36
EMN-1930-OFF	19	3/4	1"3/16-12	88	44	14	30	36
EMN-1937-OFF	19	3/4	1"7/16-12	91.5	47.5	14	36	41
EMN-2537-OFF	25	1"	1"7/16-12	102.5	48.5	19	36	41
EMN-2543-OFF	25	1"	1"11/16-12	106	52	19	41	50
EMN-3243-OFF	32	1"1/4	1"11/16-12	113	53.5	25	41	50

## ORFS FEMALE 90° ELBOW SWIVEL HOSE FITTINGS



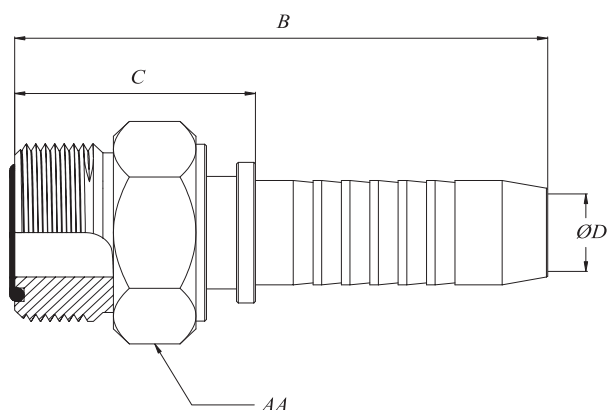
MATERIAL CODE	HOSE SIZE		NUT SIZE	B	C	E	ØD	AA
	mm	inch						
EMN-0614-OFF90	06	1/4	9/16-18	50	25	25	4	19
EMN-0617-OFF90	06	1/4	11/16-16	50	25	25	4	22
EMN-0814-OFF90	08	5/16	9/16-18	55	28	25	5.5	19
EMN-0817-OFF90	08	5/16	11/16-16	55	28	27	5.5	22
EMN-1017-OFF90	10	3/8	11/16-16	61.5	32.5	30	7	22
EMN-1021-OFF90	10	3/8	13/16-16	61.5	32.5	31	7	24
EMN-1321-OFF90	12	1/2	13/16-16	69.5	37.5	35	9	24
EMN-1325-OFF90	12	1/2	1"-14	69.5	37.5	38	9	30
EMN-1625-OFF90	16	5/8	1"-14	84	45	40	12	30
EMN-1630-OFF90	16	5/8	1"3/16-12	84	45	51	12	36
EMN-1930-OFF90	19	3/4	1"3/16-12	100	57	54	14	36
EMN-1937-OFF90	19	3/4	1"7/16-12	100	57	55	14	41
EMN-2537-OFF90	25	1"	1"7/16-12	122	69	60	19	41
EMN-2543-OFF90	25	1"	1" 9/16-12	?	?	?	25	50
EMN-3243-OFF90	32	1"1/4	1"11/16-12	140	80	71	25	50

## ORFS FEMALE 45° ELBOW SWIVEL HOSE FITTINGS



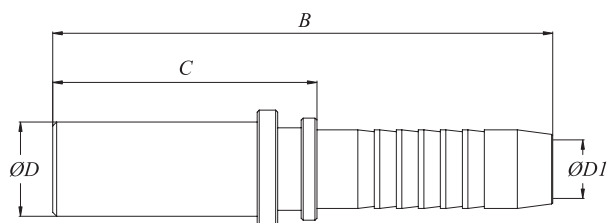
MATERIAL CODE	HOSE SIZE		NUT SIZE	B	C	E	ØD	AA
	mm	inch						
EMN-0614-OFF45	06	1/4	9/16-18	60	35	13	4	19
EMN-0617-OFF45	06	1/4	11/16-16	71	46	15	4	22
EMN-0814-OFF45	08	5/16	9/16-18	58	31	12	5.5	19
EMN-0817-OFF45	08	5/16	11/16-16	74	47	16	5.5	22
EMN-1017-OFF45	10	3/8	11/16-16	69	39	15	7	22
EMN-1021-OFF45	10	3/8	13/16-16	72	42	16	7	24
EMN-1321-OFF45	12	1/2	13/16-16	78	45	16	9	24
EMN-1325-OFF45	12	1/2	1"-14	80	47	19	9	30
EMN-1625-OFF45	16	5/8	1"-14	85	45	23	12	30
EMN-1630-OFF45	16	5/8	1"3/16-12	104	64	29	12	36
EMN-1930-OFF45	19	3/4	1"3/16-12	110	66	31	14	36
EMN-1937-OFF45	19	3/4	1"7/16-12	118	74	30	14	41
EMN-2537-OFF45	25	1"	1"7/16-12	135	80	32	19	41
EMN-2543-OFF45	25	1"	1"11/16-12	135.5	81.5	32.5	19	50
EMN-3243-OFF45	32	1"1/4	1"11/16-12	160	100	37	25	50

## ORFS MALE STRAIGHT HOSE FITTINGS



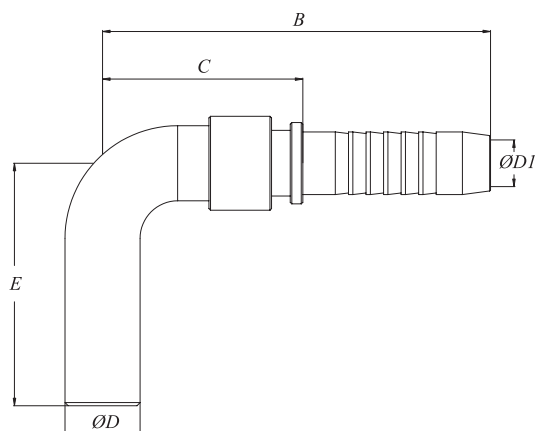
MATERIAL CODE	HOSE SIZE		NUT SIZE	B	C	ØD	AA
	mm	inch					
EMN-0614-OMF	06	1/4	9/16-18	48	23	4	17
EMN-0617-OMF	06	1/4	11/16-16	50	25	4	19
EMN-0814-OMF	08	5/16	9/16-18	50	23	5.5	17
EMN-0817-OMF	08	5/16	11/16-16	52	25	5.5	19
EMN-1017-OMF	10	3/8	11/16-16	55	25	7	19
EMN-1021-OMF	10	3/8	13/16-16	58	28	7	22
EMN-1321-OMF	12	1/2	13/16-16	61.5	28.5	9	22
EMN-1325-OMF	12	1/2	1"-14	65.5	32.5	9	27
EMN-1625-OMF	16	5/8	1"-14	73.5	33.5	12	27
EMN-1630-OMF	16	5/8	1"3/16-12	76	36	12	32
EMN-1930-OMF	19	3/4	1"3/16-12	80.5	36.5	14	32
EMN-1937-OMF	19	3/4	1"7/16-12	82.5	38.5	14	41
EMN-2537-OMF	25	1"	1"7/16-12	93.5	39.5	19	41
EMN-2543-OMF	25	1"	1"11/16-12	94.5	40.5	19	46
EMN-3243-OMF	32	1"1/4	1"11/16-12	101.5	42	25	46

## RIGID STANDPIPE HOSE FITTINGS



MATERIAL CODE	HOSE SIZE		TUBE ØD	B	C	ØD1
	mm	inch				
EMN-0506-RSF	05	3/16	6	49	28.5	3.2
EMN-0606-RSF	06	1/4	6	55	30	4
EMN-0608-RSF	06	1/4	8	55.5	30.5	4
EMN-0610-RSF	06	1/4	10	55	30	4
EMN-0808-RSF	08	5/16	8	57	30	5.5
EMN-0810-RSF	08	5/16	10	57.5	30.5	5.5
EMN-0812-RSF	08	5/16	12	60.5	33.5	5.5
EMN-1008-RSF	10	3/8	8	61	31	7
EMN-1010-RSF	10	3/8	10	61.5	31.5	7
EMN-1012-RSF	10	3/8	12	63.5	33.5	7
EMN-1312-RSF	12	1/2	12	68	35.5	9
EMN-1316-RSF	12	1/2	16	71	38.5	9

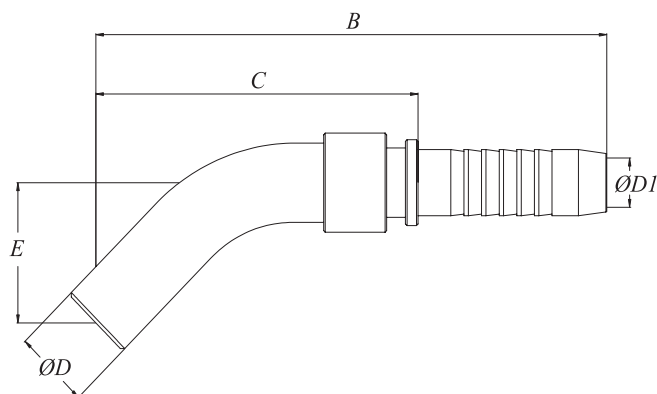
## STANDPIPE 90° ELBOW HOSE FITTINGS



MATERIAL CODE	HOSE SIZE		TUBE ØD	B	C	E	ØD1
	mm	inch					
EMN-0506-RSF90	05	3/16	6	46	25	31	3.2
EMN-0606-RSF90	06	1/4	6	52	27	31	4
EMN-0608-RSF90	06	1/4	8	52	27	34	4
EMN-0610-RSF90	06	1/4	10	53	28	36	4
EMN-0808-RSF90	08	5/16	8	53	26	34	5.5
EMN-0810-RSF90	08	5/16	10	52	25	35	5.5
EMN-0812-RSF90	08	5/16	12	58	31	43	5.5
EMN-1008-RSF90	10	3/8	8	57	27	34	7
EMN-1010-RSF90	10	3/8	10	59	28	35	7
EMN-1012-RSF90	10	3/8	12	63	33	41	7
EMN-1312-RSF90	12	1/2	12	66	33	42	9
EMN-1316-RSF90	12	1/2	16	73	40	48	9

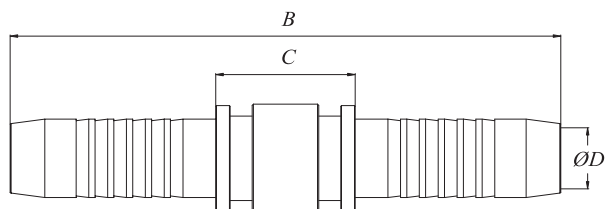


## STANDPIPE 45° ELBOW HOSE FITTINGS



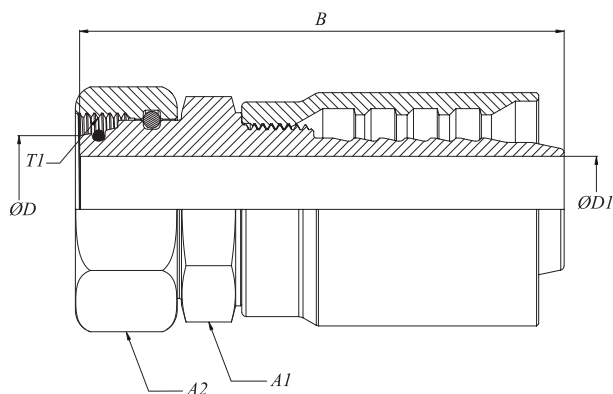
MATERIAL CODE	HOSE SIZE		TUBE ØD	B	C	E	ØD1
	mm	inch					
EMN-0506-RSF45	05	3/16	6	62.5	42	20	3.2
EMN-0606-RSF45	06	1/4	6	69.5	44.5	20	4
EMN-0608-RSF45	06	1/4	8	71	45.5	21	4
EMN-0610-RSF45	06	1/4	10	72	47	21	4
EMN-0808-RSF45	08	5/16	8	73	45.5	21	5.5
EMN-0810-RSF45	08	5/16	10	74	47	21	5.5
EMN-0812-RSF45	08	5/16	12	77	50.5	22	5.5
EMN-1008-RSF45	10	3/8	8	76	45.5	21	7
EMN-1010-RSF45	10	3/8	10	77	47	21	7
EMN-1012-RSF45	10	3/8	12	80	50.5	22	7
EMN-1312-RSF45	12	1/2	12	83.5	50.5	22	9
EMN-1316-RSF45	12	1/2	16	91.5	59	27	9

## DOUBLE CONNECTOR HOSE FITTINGS



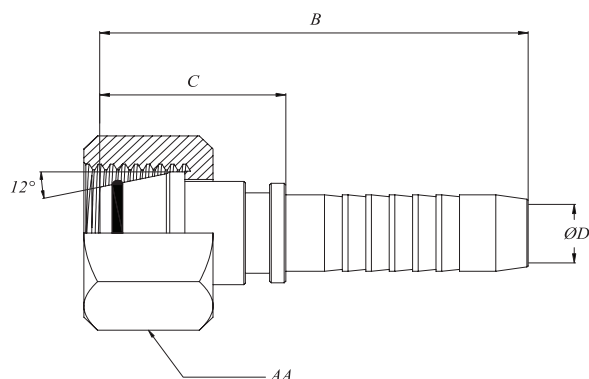
MATERIAL CODE	HOSE SIZE		HOSE SIZE		B	C	ØD
	mm	inch	mm	inch			
EMN-0505-DCF	05	3/16	05	3/16	55	13	3.2
EMN-0606-DCF	06	1/4	06	1/4	66	16	4
EMN-0808-DCF	08	5/16	08	5/16	70	16	5.5
EMN-1010-DCF	10	3/8	10	3/8	77	17	7
EMN-1313-DCF	12	1/2	12	1/2	87.5	22	9
EMN-1616-DCF	16	5/8	16	5/8	108	28	12
EMN-1919-DCF	19	3/4	19	3/4	118	30	14
EMN-2525-DCF	25	1"	25	1"	144	36	19
EMN-3232-DCF	32	1"1/4	32	1"1/4	160	41.5	25
EMN-3838-DCF	38	1"1/2	38	1"1/2	189	45	29
EMN-5050-DCF	50	2"	50	2"	162	42	41

FEMALE STRAIGHT SWIVEL HOSE FITTINGS



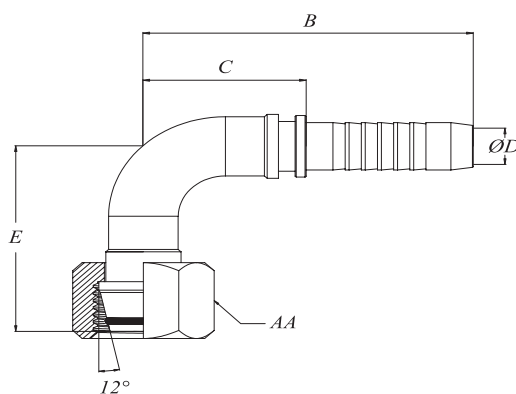
MATERIAL CODE	HOSE SIZE		NUT SIZE T1	TUBE OD ØD	B	ØD1	A1	A2
	mm	inch						
EMN-2536-FSHF	25	1"	M36x2	25	104	17	36	46
EMN-2542-FSHF	25	1"	M42x2	30	107.5	17	41	50
EMN-2545-FSHF	25	1"	M45x2	35	108	17	46	50
EMN-2552-FSHF	25	1"	M52x2	38	111.5	17	50	60
EMN-3242-FSHF	32	1"1/4	M42x2	30	113.5	23	41	50
EMN-3245-FSHF	32	1"1/4	M45x2	35	114	25	46	50
EMN-3252-FSHF	32	1"1/4	M52x2	38	117.5	25	50	60
EMN-2533-FSHF	25	1"	R1"-11	25	104.5	17	36	41
EMN-2537-FSHF	25	1"	1"7/16-12 ORFS	25	110.5	17	36	41
EMN-3243-FSHF	32	1"1/4	1"11/16-12 ORFS	30	120	23	41	50

## DN4 HOSE FITTINGS



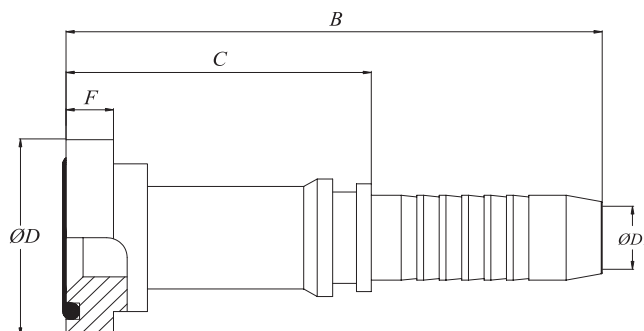
MATERIAL CODE	HOSE SIZE	NUT SIZE	B	C	ØD	AA
EMN-0212-DHS	DN2	M12	32	22	1	14
EMN-0214-DHS	DN2	M14	31.5	21.5	1	17
EMN-0216-DHS	DN2	M16	32.5	22.5	1	19
EMN-0411-DHS	DN4	7/16 UNF	35	15	2	16
EMN-0412-DHS	DN4	M12	40	20	2	14
EMN-0414-DHS	DN4	M14	42.5	22.5	2	17
EMN-0416-DHS	DN4	M16	42	22	2	19

## DN4 90° ELBOW HOSE FITTINGS



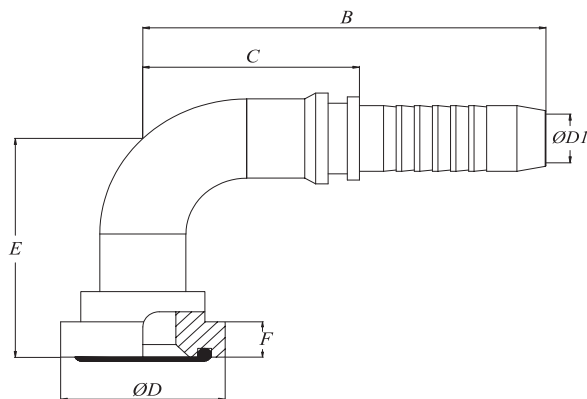
MATERIAL CODE	HOSE SIZE	NUT SIZE	B	C	E	ØD	AA
EMN-0212-DEHF90	DN2	M12	39.5	29.5	27	1	14
EMN-0214-DEHF90	DN2	M14	39.5	29.5	26.5	1	17
EMN-0216-DEHF90	DN2	M16	39.5	29.5	27.5	1	19
EMN-0217-DEHF90	DN2	M16x2	30	20	24	1	19
EMN-0412-DEHF90	DN4	M12	45	25	25	2	14
EMN-0414-DEHF90	DN4	M14	45	25	26	2	17
EMN-0416-DEHF90	DN4	M16	45	25	29	2	19

## STRAIGHT FLANGE HOSE FITTINGS 3000 SERIES



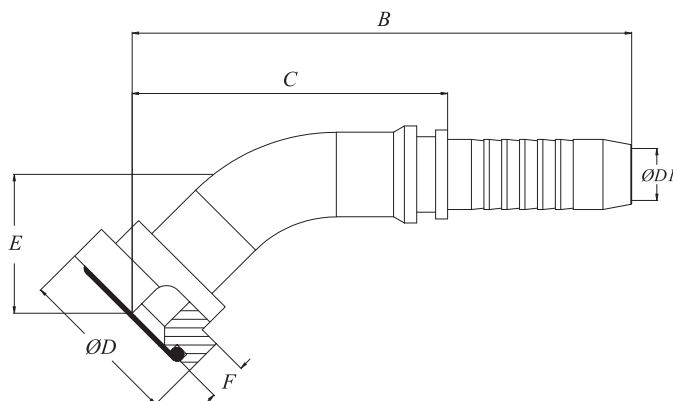
MATERIAL CODE	HOSE SIZE		FLANGE SIZE $\text{Ø}D$	B	C	F	$\text{Ø}D1$
	mm	inch					
EMN-133007-SFFS	12	1/2	30,2	83	50	7.5	9
EMN-133807-SFFS	12	1/2	38,1	84	51	7.5	9
EMN-163807-SFFS	16	5/8	38,1	101	61	7.5	12
EMN-193807-SFFS	19	3/4	38,1	105	61	7.5	14
EMN-194408-SFFS	19	3/4	44,4	105	62	8	14
EMN-253807-SFFS	25	1"	38,1	116	62	7.5	19
EMN-254408-SFFS	25	1"	44,4	117	63	8	19
EMN-255108-SFFS	25	1"	50,8	120	66	8	19
EMN-324408-SFFS	32	1"1/4	44,4	132	72.5	8	25
EMN-325108-SFFS	32	1"1/4	50,8	131	71.5	8	25
EMN-326008-SFFS	32	1"1/4	60,3	128	68.5	8	25
EMN-386008-SFFS	38	1"1/2	60,3	147	75	8	29
EMN-507110-SFFS	50	2"	71,4	130	71	10	42
EMN-648410-SFFS	64	2"1/2	84,1	147	76	10	55
EMN-7610110-SFFS	76	3"	101,6	147	75	10	67
EMN-10211410-SFFS	102	4"	114,3	170	95	11	92
EMN-10212710-SFFS	102	4"	127	170	95	11	92

## 90° ELBOW FLANGE HOSE FITTINGS 3000 SERIES



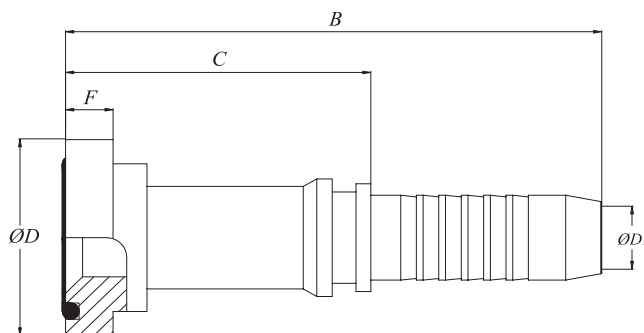
MATERIAL CODE	HOSE SIZE		FLANGE SIZE	B	C	E	F	ØD1
	mm	inch	ØD					
EMN-133007-SFFS90	12	1/2	30,2	69	36	38	7.5	9
EMN-133807-SFFS90	12	1/2	38,1	69	36	38	7.5	9
EMN-163807-SFFS90	16	5/8	38,1	90	50	48	7.5	12
EMN-193807-SFFS90	19	3/4	38,1	100	56	58	7.5	14
EMN-194408-SFFS90	19	3/4	44,4	100	56	60	8	14
EMN-253807-SFFS90	25	1"	38,1	135	81	65	7.5	19
EMN-254408-SFFS90	25	1"	44,4	135	81	67	8	19
EMN-255108-SFFS90	25	1"	50,8	135	81	68	8	19
EMN-324408-SFFS90	32	1"1/4	44,4	140	80	78	8	25
EMN-325108-SFFS90	32	1"1/4	50,8	140	80	80	8	25
EMN-326008-SFFS90	32	1"1/4	60,3	140	80	80	8	25
EMN-386008-SFFS90	38	1"1/2	60,3	170	100	85	8	29
EMN-507110-SFFS90	50	2"	71,4	150	90	90	10	42
EMN-648410-SFFS90	64	2"1/2	84,1	175	105	110	10	55
EMN-7610110-SFFS90	76	3"	101,6	200	130	125	10	67
EMN-10211410-SFFS90	102	4"	114,3	245	170	175	11	92
EMN-10212710-SFFS90	102	4"	127	245	170	175	11	92

## 45° ELBOW FLANGE HOSE FITTINGS 3000 SERIES



MATERIAL CODE	HOSE SIZE		FLANGE SIZE	B	C	E	F	ØD1
	mm	inch	ØD					
EMN-133007-SFFS45	12	1/2	30,2	85	52	25	7.5	9
EMN-133807-SFFS45	12	1/2	38,1	85	52	25	7.5	9
EMN-163807-SFFS45	16	5/8	38,1	105	65	28	7.5	12
EMN-193807-SFFS45	19	3/4	38,1	120	76	30	7.5	14
EMN-194408-SFFS45	19	3/4	44,4	120	76	30	8	14
EMN-253807-SFFS45	25	1"	38,1	145	91	35	7.5	19
EMN-254408-SFFS45	25	1"	44,4	145	91	35	8	19
EMN-255108-SFFS45	25	1"	50,8	145	91	35	8	19
EMN-324408-SFFS45	32	1"1/4	44,4	160	100	38	8	25
EMN-325108-SFFS45	32	1"1/4	50,8	160	100	38	8	25
EMN-326008-SFFS45	32	1"1/4	60,3	160	100	38	8	25
EMN-386008-SFFS45	38	1"1/2	60,3	170	100	45	8	29
EMN-507110-SFFS45	50	2"	71,4	140	80	30	10	42
EMN-648410-SFFS45	64	2"1/2	84,1	175	105	55	10	55
EMN-7610110-SFFS45	76	3"	101,6	195	125	65	10	67
EMN-10211410-SFFS45	102	4"	114,3	235	160	75	11	92
EMN-10212710-SFFS45	102	4"	127	220	145	75	11	92

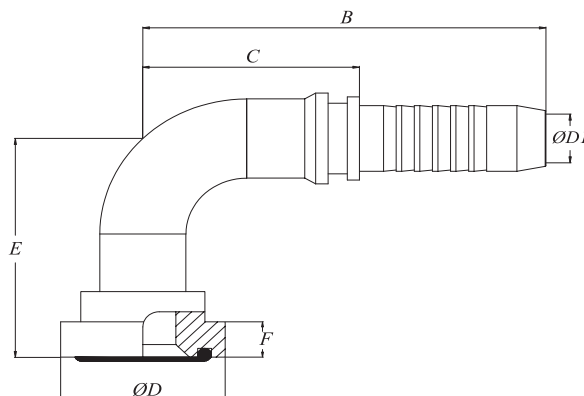
## STRAIGHT FLANGE HOSE FITTINGS 6000 SERIES



MATERIAL CODE	HOSE SIZE		FLANGE SIZE	B	C	F	ØD1
	mm	inch	ØD				
EMN-133208-SFFS	12	1/2	32	83	50	8	9
EMN-133408-SFFS	12	1/2	34,1	84	51	8	9
EMN-163208-SFFS	16	5/8	32	95	55	8	12
EMN-163408-SFFS	16	5/8	34,1	95	55	8	12
EMN-164110-SFFS	16	5/8	41,3	101	61	9	12
EMN-194110-SFFS	19	3/4	41,3	106	62	9	14
EMN-194810-SFFS	19	3/4	47,6	106	62	10	14
EMN-254110-SFFS	25	1"	41,3	117	63	9	19
EMN-254810-SFFS	25	1"	47,6	120	66	10	19
EMN-255410-SFFS	25	1"	54	120	66	10.5	19
EMN-324810-SFFS	32	1"1/4	47,6	131	71.5	10	25
EMN-325410-SFFS	32	1"1/4	54	131	71.5	10.5	25
EMN-326314-SFFS	32	1"1/4	63,5	133.5	74	12.7	25
EMN-386314-SFFS	38	1"1/2	63,5	148.5	76.5	12.7	29

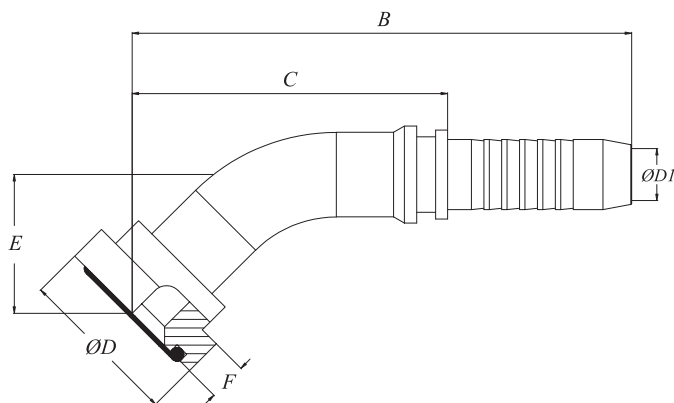


## 90° ELBOW FLANGE HOSE FITTINGS 6000 SERIES



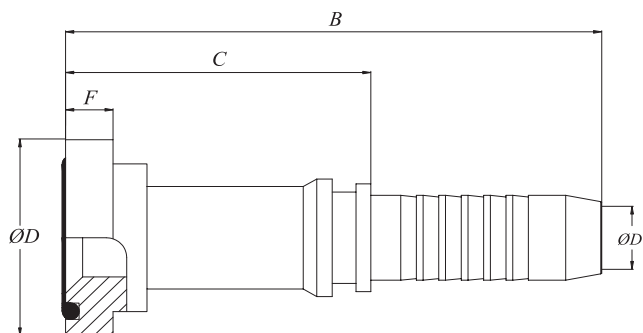
MATERIAL CODE	HOSE SIZE		FLANGE SIZE	B	C	E	F	ØD1
	mm	inch	ØD					
EMN-133208-SFFS90	12	1/2	32	69	36	38	8	9
EMN-133408-SFFS90	12	1/2	34,1	69	36	38	8	9
EMN-163208-SFFS90	16	5/8	32	90	50	50	8	12
EMN-163408-SFFS90	16	5/8	34,1	90	50	50	8	12
EMN-164110-SFFS90	16	5/8	41,3	90	50	50	9	12
EMN-194110-SFFS90	19	3/4	41,3	100	56	60	9	14
EMN-194810-SFFS90	19	3/4	47,6	100	56	63	10	14
EMN-254110-SFFS90	25	1"	41,3	130	76	71	9	19
EMN-254810-SFFS90	25	1"	47,6	135	81	70	10	19
EMN-255410-SFFS90	25	1"	54	135	81	70	10,5	19
EMN-324810-SFFS90	32	1"1/4	47,6	140	80	78	10	25
EMN-325410-SFFS90	32	1"1/4	54	140	80	80	10,5	25
EMN-326314-SFFS90	32	1"1/4	63,5	140	80	80	12,7	25
EMN-386314-SFFS90	38	1"1/2	63,5	170	100	85	12,7	29

## 45° ELBOW FLANGE HOSE FITTINGS 6000 SERIES



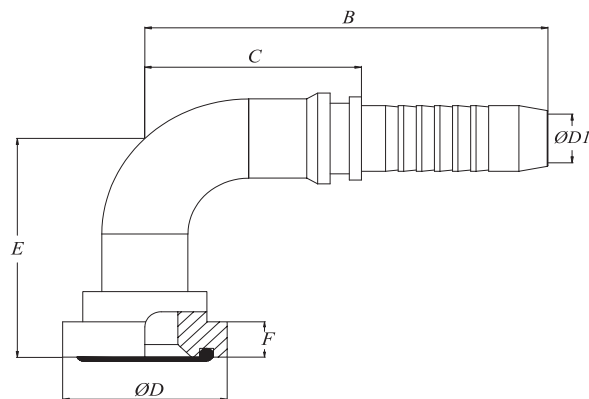
MATERIAL CODE	HOSE SIZE		FLANGE SIZE	B	C	E	F	ØD1
	mm	inch	ØD					
EMN-133208-SFFS45	12	1/2	32	85	52	25	8	9
EMN-133408-SFFS45	12	1/2	34,1	85	52	25	8	9
EMN-163208-SFFS45	16	5/8	32	105	65	28	8	12
EMN-163408-SFFS45	16	5/8	34,1	105	65	28	8	12
EMN-164110-SFFS45	16	5/8	41,3	105	65	28	9	12
EMN-194110-SFFS45	19	3/4	41,3	120	76	30	9	14
EMN-194810-SFFS45	19	3/4	47,6	120	76	30	10	14
EMN-254110-SFFS45	25	1"	41,3	145	90	35	9	19
EMN-254810-SFFS45	25	1"	47,6	145	91	35	10	19
EMN-255410-SFFS45	25	1"	54	145	91	35	10.5	19
EMN-324810-SFFS45	32	1"1/4	47,6	160	100	38	10	25
EMN-325410-SFFS45	32	1"1/4	54	160	100	38	10.5	25
EMN-326314-SFFS45	32	1"1/4	63,5	160	100	38	12.7	25
EMN-386314-SFFS45	38	1"1/2	63,5	170	100	45	12.7	29

## STRAIGHT ELBOW FLANGE HOSE FITTINGS (THICK TYPE)



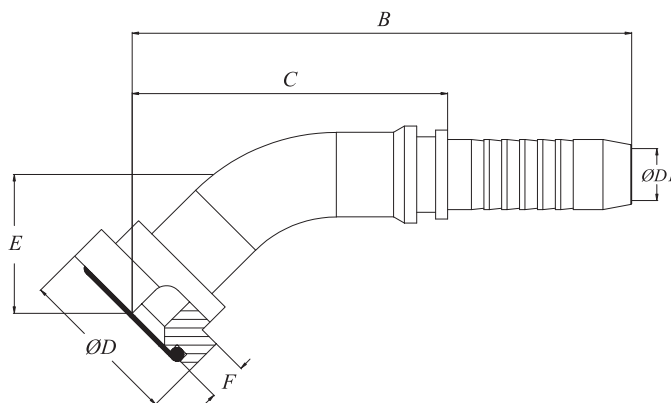
MATERIAL CODE	HOSE SIZE		FLANGE SIZE	B	C	F	ØD1
	mm	inch	ØD				
EMN-194110-SFHF	19	3/4	41,3	106	62	14.5	14
EMN-254814-SFHF	25	1"	47,6	120	66	14.5	19
EMN-255414-SFHF	25	1"	54	120	66	14.5	19
EMN-324814-SFHF	32	1"1/4	47,6	131	71.5	14.5	25
EMN-325414-SFHF	32	1"1/4	54	131	71.5	14.5	25
EMN-326314-SFHF	32	1"1/4	63,5	135	75.5	14.5	25
EMN-386314-SFHF	38	1"1/2	63,5	150	78	14.5	29

## 90° ELBOW FLANGE HOSE FITTINGS (THICK TYPE)



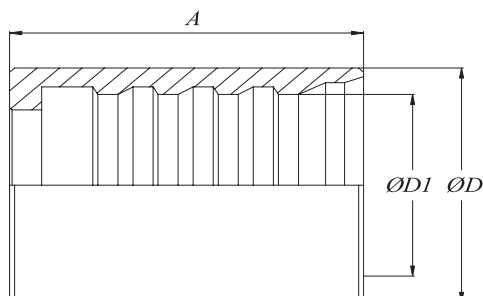
MATERIAL CODE	HOSE SIZE		FLANGE SIZE	B	C	E	F	ØD1
	mm	inch	ØD					
EMN-194110-SFHF90	19	3/4	41,3	100	56	65	14.5	14
EMN-254814-SFHF90	25	1"	47,6	135	81	73	14.5	19
EMN-255414-SFHF90	25	1"	54	135	81	73	14.5	19
EMN-324814-SFHF90	32	1"1/4	47,6	140	80	84	14.5	25
EMN-325414-SFHF90	32	1"1/4	54	140	80	80	14.5	25
EMN-326314-SFHF90	32	1"1/4	63,5	140	80	80	14.5	25
EMN-386314-SFHF90	38	1"1/2	63,5	170	100	87	14.5	29

45° ELBOW FLANGE HOSE FITTINGS (THICK TYPE)



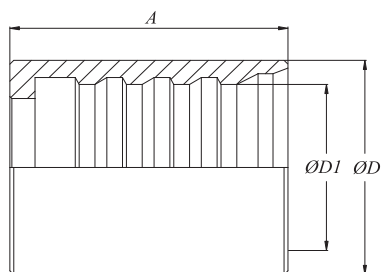
MATERIAL CODE	HOSE SIZE		FLANGE SIZE ØD	B	C	E	F	ØD1
	mm	inch						
EMN-194110-SFHF45	19	3/4	41,3	123	79	33	14.5	14
EMN-254814-SFHF45	25	1"	47,6	148	94	37	14.5	19
EMN-255414-SFHF45	25	1"	54	148	94	37	14.5	19
EMN-324814-SFHF45	32	1"1/4	47,6	163	103	38	14.5	25
EMN-325414-SFHF45	32	1"1/4	54	163	103	38	14.5	25
EMN-326314-SFHF45	32	1"1/4	63,5	163	103	38	14.5	25
EMN-386314-SFHF45	38	1"1/2	63,5	175	105	45	14.5	29

## R1 - R2 STEEL SOCKETS

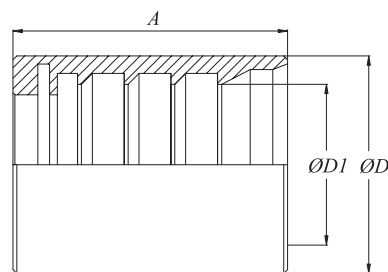


MATERIAL CODE	HOSE SIZE		A	ØD	ØD1
	mm	inch			
EMN-0517-SS	05	3/16	25.5	17	13
EMN-0620-SS	06	1/4	28	20	14,5
EMN-0822-SS	08	5/16	30	22	15,5
EMN-1025-SS	10	3/8	33	25	18,4
EMN-1328-SS	12	1/2	35	28	21,7
EMN-1632-SS	16	5/8	42	32	24,7
EMN-1936-SS	19	3/4	49	36	29
EMN-2546-SS	25	1"	55	45	36,5
EMN-3256-SS	32	1"1/4	62	55	46
EMN-3862-SS	38	1"1/2	71.5	62	53
EMN-5175-SS	51	2"	70	75	64
EMN-6487-SS	64	2"1/2	70	87.5	79
EMN-76103-SS	76	3"	73	103	93
EMN-102132-SS	102	4"	81	132	120.5

R9 STEEL SOCKETS



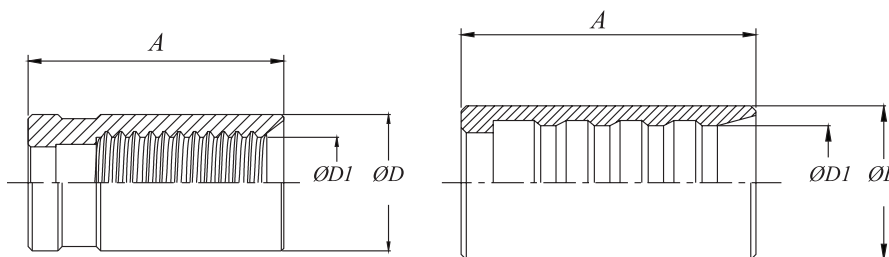
STEEL SOCKETS



MATERIAL CODE	HOSE SIZE		A	ØD	ØD1
	mm	inch			
EMN-1026-SS	10	3/8	36	25	18.5
EMN-1329-SS	12	1/2	40	28	21
EMN-1633-SS	16	5/8	45	32	25.5
EMN-1938-SS	19	3/4	45	38	29.5
EMN-2545-SS	25	1"	64	45	36.5
EMN-3255-SS	32	1 1/4"	70.5	55	44.5
EMN-3863-SS	38	1 1/2"	71.5	62	53

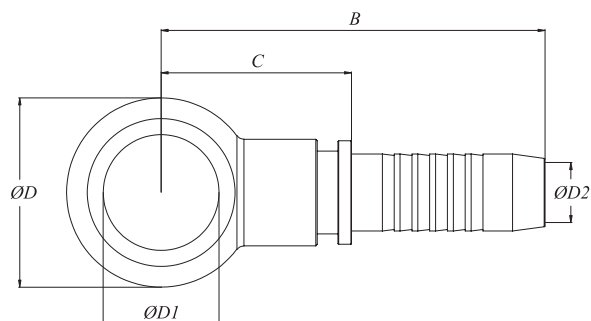
MATERIAL CODE	HOSE SIZE		A	ØD	ØD1
	mm	inch			
EMN-0621-SSS	06	1/4	27.5	23	15.7
EMN-0824-SSS	08	5/16	30	24	17.3
EMN-1026-SSS	10	3/8	31.5	26	19.7
EMN-1329-SSS	12	1/2	33	30	23
EMN-1634-SSS	16	5/8	36	34	26
EMN-1938-SSS	19	3/4	40	38	30.2
EMN-2546-SSS	25	1"	51	46	38.8

DN2 - DN4 STEEL SOCKETS



MATERIAL CODE	HOSE SIZE		A	ØD	ØD1
	mm	inch			
EMN-0205-DDSS	DN2	15	8	5.2	
EMN-0409-DDSS	DN4	23	12	8.9	

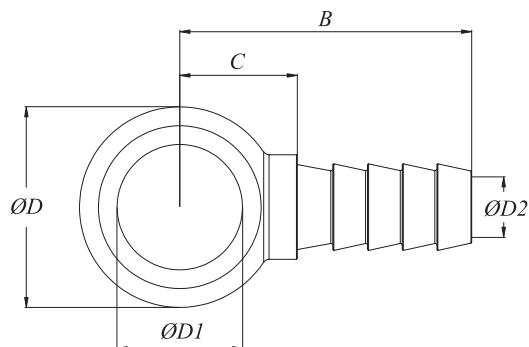
## BANJO FITTINGS



MATERIAL CODE	HOSE SIZE		ØD1	B	C	ØD	ØD2
	mm	inch					
EMN-0510-BF	05	3/16	10	39.5	19.5	18	3.2
EMN-0610-BF	06	1/4	10	44.5	19.5	18	4
EMN-0612-BF	06	1/4	12	46	21	20	4
EMN-0613-BF	06	1/4	13	48.5	23.5	24	4
EMN-0614-BF	06	1/4	14	48.5	23.5	24	4
EMN-0617-BF	06	1/4	17	51.5	26.5	28	4
EMN-0812-BF	08	5/16	12	48.5	21.5	20	5.5
EMN-0813-BF	08	5/16	13	50.5	23.5	24	5.5
EMN-0814-BF	08	5/16	14	51	24	24	5.5
EMN-0816-BF	08	5/16	16	54	27	28	5.5
EMN-0817-BF	08	5/16	17	54	27	28	5.5
EMN-1014-BF	10	3/8	14	54	24	24	7
EMN-1016-BF	10	3/8	16	59	29	28	7
EMN-1017-BF	10	3/8	17	59	29	29	7
EMN-1018-BF	10	3/8	18	62	32	32	7
EMN-1021-BF	10	3/8	21	63.5	33.5	35	7
EMN-1316-BF	12	1/2	16	64	31	30	9
EMN-1318-BF	12	1/2	18	65.5	32.5	32	9
EMN-1320-BF	12	1/2	20	67	34	33	9
EMN-1321-BF	12	1/2	21	67	34	35	9
EMN-1322-BF	12	1/2	22	67	34	35	9

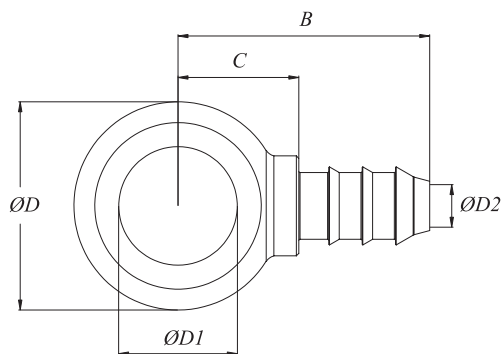


## BANJO FITTINGS



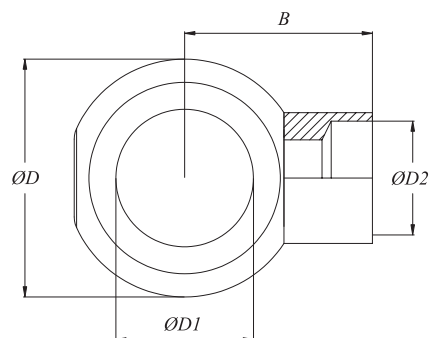
MATERIAL CODE	HOSE SIZE		ØD1	B	C	ØD	ØD2
	mm	inch					
EMN-0508-BFB	05	3/16	8	26.5	9	14	3.2
EMN-0510-BFB	05	3/16	10	28.5	11	18	3.2
EMN-0610-BFB	06	1/4	10	30.5	11	18	4
EMN-0612-BFB	06	1/4	12	31.5	13	20	4
EMN-0812-BFB	08	5/16	12	33	13	20	5.5
EMN-0813-BFB	08	5/16	13	33	13	22	5.5
EMN-0814-BFB	08	5/16	14	37	14	24	5.5
EMN-1014-BFB	10	3/8	14	37	14	24	7
EMN-1016-BFB	10	3/8	16	39	16	28	7
EMN-1018-BFB	10	3/8	18	40	20	32	7
EMN-1318-BFB	12	1/2	18	51	25.5	32	9

BANJO FITTINGS



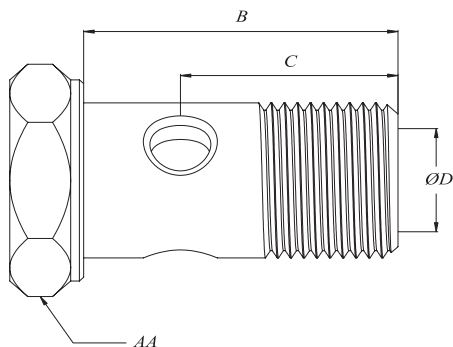
MATERIAL CODE	HOSE SIZE	ØD1	B	C	ØD	ØD2
EMN-0408-BFP	4x6	8	24	9	14	3
EMN-0410-BFP	4x6	10	25	9	18	3
EMN-0608-BFP	6x8	8	25	9	14	4
EMN-0610-BFP	6x8	10	29	10	18	4
EMN-0612-BFP	6x8	12	29	10	20	4
EMN-0614-BFP	6x8	14	31	12	24	4
EMN-0812-BFP	8x10	12	31	10	20	6
EMN-0814-BFP	8x10	14	33	11	24	6
EMN-0914-BFP	9x12	14	36	12	24	7

## BANJO FITTINGS FOR WELDING



MATERIAL CODE	ØD1	B	ØD	ØD2
EMN-0508-BHW	8	13.5	14	5
EMN-0610-BHW	10	15	18	6
EMN-0812-BHW	12	17	20	8
EMN-1014-BHW	14	20	24	10
EMN-1216-BHW	16	21.5	28	12
EMN-1217-BHW	17	22	28	12
EMN-1418-BHW	18	26	32	14
EMN-1421-BHW	21	27.5	35	14

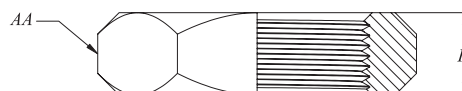
## HOLLOW SCREW FOR RING-TYPE BANJO BOLTS



MATERIAL CODE	THREAD SIZE	B	C	ØD	AA
EMN-0812-MHS	M8x1,25	16	11.5	4	12
EMN-1010-MHS	M10x1	20	14	5.5	14
EMN-1215-MHS	M12x1,5	23.5	17	6.5	17
EMN-1415-MHS	M14x1,5	26.5	18.5	7.5	19
EMN-1615-MHS	M16x1,5	30	20	9	22
EMN-1815-MHS	M18x1,5	34	24	11	24
EMN-1028-RHS	R1/8-28	20	14.5	5	14
EMN-1319-RHS	R1/4-19	25.5	17.5	7	17
EMN-1719-RHS	R3/8-19	30.5	21.5	10	22
EMN-2114-RHS	R1/2-14	36	25	12	27

METRIC LOCK NUT

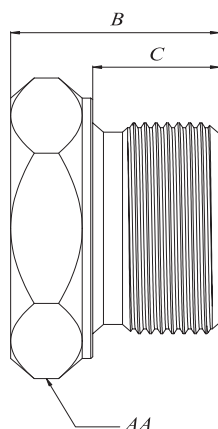
BSP LOCK NUT



MATERIAL CODE	THREAD SIZE	H	AA
EMN-1215-MLN	M12x1,5	6	17
EMN-1415-MLN	M14x1,5	6	19
EMN-1615-MLN	M16x1,5	6	22
EMN-1815-MLN	M18x1,5	6	24
EMN-2015-MLN	M20x1,5	6	27
EMN-2215-MLN	M22x1,5	7	30
EMN-2415-MLN	M24x1,5	7	32
EMN-2615-MLN	M26x1,5	8	36
EMN-3020-MLN	M30x2	8	41
EMN-3620-MLN	M36x2	9	46
EMN-4220-MLN	M42x2	9	50
EMN-4520-MLN	M45x2	9	55
EMN-5220-MLN	M52x2	10	65

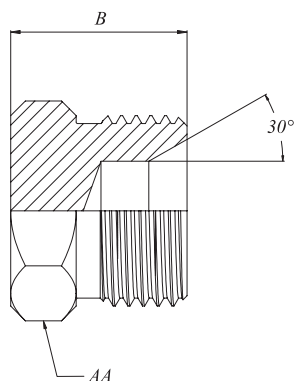
MATERIAL CODE	THREAD SIZE	H	AA
EMN-1028-RLN	R1/8-28	5	14
EMN-1319-RLN	R1/4-19	6	19
EMN-1719-RLN	R3/8-19	7	22
EMN-2114-RLN	R1/2-14	8	27
EMN-2614-RLN	R3/4-14	9	32
EMN-3311-RLN	R1"-11	10	41
EMN-4211-RLN	R1"1/4-11	13	50
EMN-4811-RLN	R1"1/2-11	15	55

## MALE BSP THREAD - METAL SEALING EDGE (EXT. HEX)



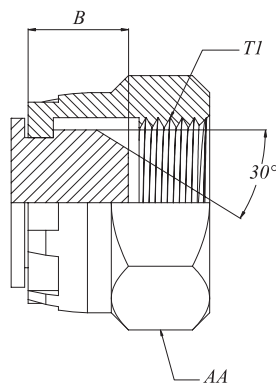
MATERIAL CODE	THREAD SIZE	B	C	AA
EMN-1028-MRT	R1/8-28	13.5	8	14
EMN-1319-MRT	R1/4-19	17	10	19
EMN-1719-MRT	R3/8-19	17.5	11	22
EMN-2114-MRT	R1/2-14	21	12	27
EMN-2614-MRT	R3/4-14	25	15	32
EMN-3311-MRT	R1"-11	28	17	41
EMN-4211-MRT	R1"1/4-11	33	20	50
EMN-4811-MRT	R1"1/2-11	37	22	55
EMN-6011-MRT	R2"11	41	24	70

## BSP 60° CONE PLUG



MATERIAL CODE	THREAD SIZE	B	AA
EMN-1028-RCP	R1/8-28	14	10
EMN-1319-RCP	R1/4-19	18	14
EMN-1719-RCP	R3/8-19	19	17
EMN-2114-RCP	R1/2-14	22	22
EMN-2614-RCP	R3/4-14	25	27
EMN-3311-RCP	R1"-11	28	36
EMN-4211-RCP	R1 1/4-11	32	46
EMN-4811-RCP	R1 1/2-11	35	50

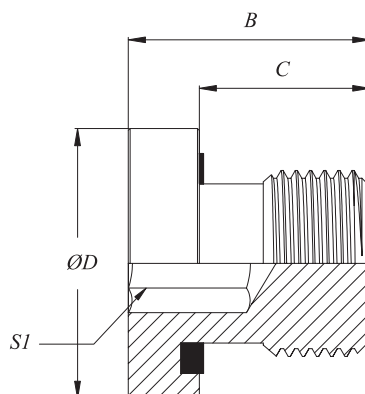
BSP SWIVEL CAP



MATERIAL CODE	THREAD SIZE	B	AA
EMN-1028-RSC	R1/8-28	8	14
EMN-1319-RSC	R1/4-19	10	17
EMN-1719-RSC	R3/8-19	12	22
EMN-2114-RSC	R1/2-14	14.5	27
EMN-2614-RSC	R3/4-14	17	32
EMN-3311-RSC	R1"-11	21	41
EMN-4211-RSC	R1"1/4-11	21	50
EMN-4811-RSC	R1"1/2-11	23.5	55

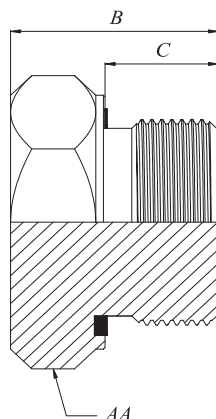


## MALE BSP THREAD WITH ELASTOMERIC SEAL (IN. HEX)



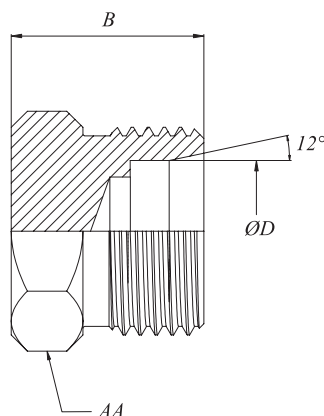
MATERIAL CODE	THREAD SIZE	B	C	ØD	S1
EMN-1028-MTW	R1/8-28	12	8	14	5
EMN-1319-MTW	R1/4-19	17	12	19	6
EMN-1719-MTW	R3/8-19	17	12	22	8
EMN-2114-MTW	R1/2-14	19	14	27	10
EMN-2614-MTW	R3/4-14	21	16	32	12
EMN-3311-MTW	R1"-11	22.5	16	40	17
EMN-4211-MTW	R1"1/4-11	22.5	16	50	22
EMN-4811-MTW	R1"1/2-11	22.5	16	55	24
EMN-6011-MTW	R2"-11	35	24	72	32

## MALE METRIC THREAD WITH ELASTOMERIC SEAL (EXT. HEX)



MATERIAL CODE	THREAD SIZE	B	C	AA
EMN-1215-MMW	M12x1,5	20	12	17
EMN-1415-MMW	M14x1,5	20	12	19
EMN-1615-MMW	M16x1,5	22	12	22
EMN-1815-MMW	M18x1,5	23	12	24
EMN-2015-MMW	M20x1,5	25	14	27
EMN-2215-MMW	M22x1,5	26	14	27
EMN-2415-MMW	M24x1,5 (METAL SEAL)	22.5	13	30
EMN-2615-MMW	M26x1,5	29	16	32
EMN-3020-MMW	M30x2 (METAL SEAL)	27	16	36

## METRIC BLANKING PLUG FOR TUBE ENDS



MATERIAL CODE	THREAD SIZE	B	ØD	AA
---------------	-------------	---	----	----

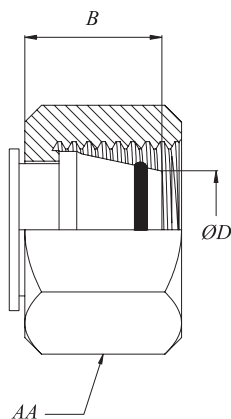
**L TYPE**

EMN-1006-MBP-L	M10x1	6L	12.5	12	11
EMN-1208-MBP-L	M22x1	8L	13.5	12	12
EMN-1206-MBP-L	M12x1,5	6L	14	6	12
EMN-1408-MBP-L	M14x1,5	8L	15	8	14
EMN-1610-MBP-L	M16x1,5	10L	16	10	17
EMN-1812-MBP-L	M18x1,5	12L	17	12	19
EMN-2215-MBP-L	M22x1,5	15L	18	15	24
EMN-2618-MBP-L	M26x1,5	18L	19	18	27
EMN-3022-MBP-L	M30x2	22L	21	22	32
EMN-3628-MBP-L	M36x2	28L	22	28	41
EMN-4535-MBP-L	M45x2	35L	25	35	46
EMN-5242-MBP-L	M52x2	42L	27	42	55

**S TYPE**

EMN-1406-MBP-S	M14x1,5	6S	18	12	14
EMN-1608-MBP-S	M16x1,5	8S	20	12	17
EMN-1810-MBP-S	M18x1,5	10S	20	12	9
EMN-2012-MBP-S	M20x1,5	12S	22	12	22
EMN-2416-MBP-S	M24x1,5	16S	24	16	27
EMN-3020-MBP-S	M30x2	20S	28	20	32
EMN-3625-MBP-S	M36x2	25S	32	25	41
EMN-4230-MBP-S	M42x2	30S	34	30	46
EMN-5238-MBP-S	M52x2	38S	39	38	55

## METRIC PLUG WITH O-RING



MATERIAL CODE	THREAD SIZE	B	ØD	AA
---------------	-------------	---	----	----

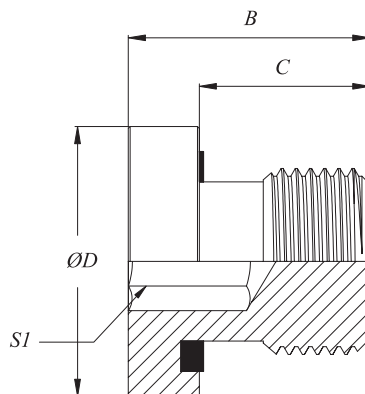
**L TYPE**

EMN-1006-MPW-L	M10x1	6L	11	6	12
EMN-1208-MPW-L	M12x1	8L	11	8	14
EMN-1206-MPW-L	M12x1,5	6L	14	6	14
EMN-1408-MPW-L	M14x1,5	8L	13	8	17
EMN-1610-MPW-L	M16x1,5	10L	14.5	10	19
EMN-1812-MPW-L	M18x1,5	12L	14.5	12	22
EMN-2215-MPW-L	M22x1,5	15L	17	15	27
EMN-2618-MPW-L	M26x1,5	18L	16	18	32
EMN-3022-MPW-L	M30x2	22L	18	22	36
EMN-3628-MPW-L	M36x2	28L	17	28	41
EMN-4535-MPW-L	M45x2	35L	19.5	35	50
EMN-5242-MPW-L	M52x2	42L	21.5	42	60

**S TYPE**

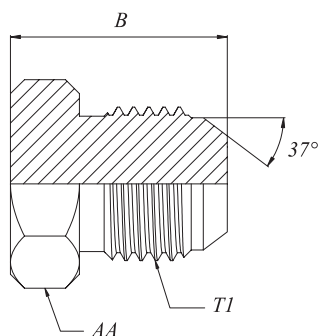
EMN-1406-MPW-S	M14x1,5	6S	14.5	6	17
EMN-1608-MPW-S	M16x1,5	8S	15	8	19
EMN-1810-MPW-S	M18x1,5	10S	15.25	10	22
EMN-2012-MPW-S	M20x1,5	12S	17	12	24
EMN-2416-MPW-S	M24x1,5	16S	17.5	16	30
EMN-3020-MPW-S	M30x2	20S	21	20	36
EMN-3625-MPW-S	M36x2	25S	20	25	46
EMN-4230-MPW-S	M42x2	30S	20	30	50
EMN-5238-MPW-S	M52x2	38S	23	38	60

## MALE METRIC THREAD WITH ELASTOMERIC SEAL (IN. HEX)

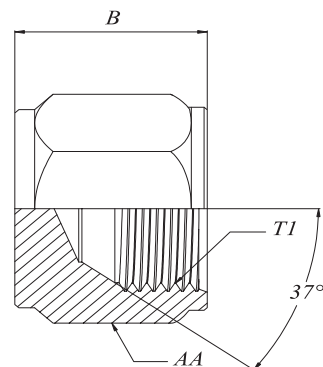


MATERIAL CODE	THREAD SIZE	B	C	ØD	S1
EMN-1010-MMTW	M10x1	12.3	8	14	5
EMN-1215-MMTW	M12x1,5	17.3	12	17	6
EMN-1415-MMTW	M14x1,5	17.3	12	19	6
EMN-1615-MMTW	M16x1,5	17.3	12	22	8
EMN-1815-MMTW	M18x1,5	17.3	12	24	8
EMN-2015-MMTW	M20x1,5	19.3	14	26	10
EMN-2215-MMTW	M22x1,5	19.3	14	27	10
EMN-2415-MMTW	M24x1,5	18	14	29	12
EMN-2615-MMTW	M26x1,5	21.3	16	32	12

## UNF MALE PLUG



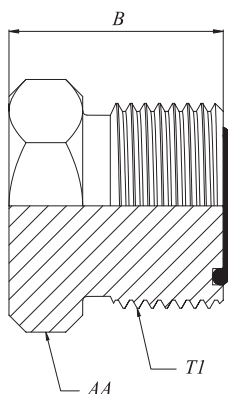
## UNF CAP



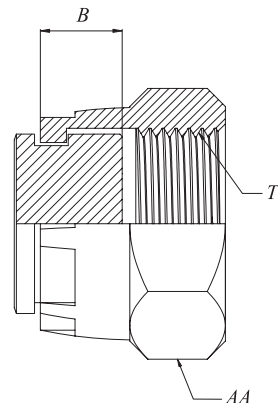
MATERIAL CODE	THREAD SIZE	B	AA
EMN-1120-WMP	7/16-20	20	12
EMN-1220-WMP	1/2-20	20	14
EMN-1418-WMP	9/16-18	21	17
EMN-1618-WMP	5/8-18	23	17
EMN-1916-WMP	3/4-16	24	19
EMN-2214-WMP	7/8-14	28	24
EMN-2712-WMP	1"1/16-12	32	27
EMN-3312-WMP	1"5/16-12	34	36
EMN-4112-WMP	1"5/8-12	37	46
EMN-4712-WMP	1"7/8-12	42	50

MATERIAL CODE	THREAD SIZE	B	AA
EMN-1120-WCP	7/16-20	15	14
EMN-1220-WCP	1/2-20	17	17
EMN-1418-WCP	9/16-18	19	19
EMN-1618-WCP	5/8-18	21	21
EMN-1916-WCP	3/4-16	19	22
EMN-2214-WCP	7/8-14	24.5	27
EMN-2712-WCP	1"1/16-12	23.5	32
EMN-3312-WCP	1"5/16-12	26	41
EMN-4112-WCP	1"5/8-12	27	50
EMN-4712-WCP	1"7/8-12	30	60

ORFS MALE PLUG



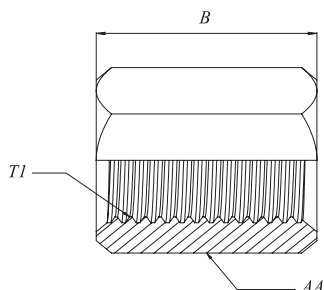
ORFS SWIVEL CAP



MATERIAL CODE	THREAD SIZE	B	AA
EMN-1418-OMP	9/16-18	16.5	17
EMN-1716-OMP	11/16-16	19	19
EMN-2116-OMP	13/16-16	22	22
EMN-2514-OMP	1"-14	26	27
EMN-3012-OMP	1"3/16-12	27.5	32
EMN-3712-OMP	1"7/16-12	28	41
EMN-4312-OMP	1"11/16-12	28	46

MATERIAL CODE	THREAD SIZE	B	AA
EMN-1418-OSC	9/16-18	6.5	19
EMN-1716-OSC	11/16-16	7.5	22
EMN-2116-OSC	13/16-16	9	24
EMN-2514-OSC	1"-14	10.5	30
EMN-3012-OSC	1"3/16-12	12	36
EMN-3712-OSC	1"7/16-12	13.5	41
EMN-4312-OSC	1"11/16-12	15	50

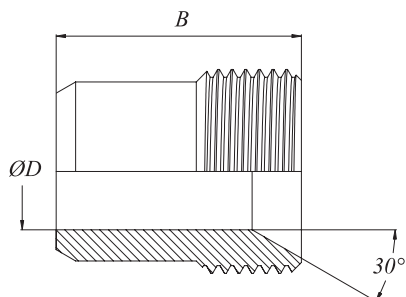
BSP FEMALE THREAD COUPLING



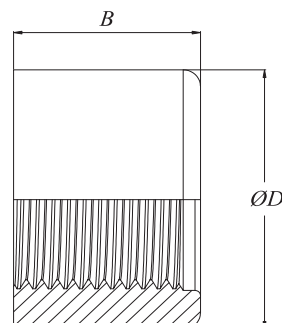
MATERIAL CODE	THREAD SIZE T1	B	AA
EMN-1028-RFTC	R1/8-28	19	14
EMN-1319-RFTC	R1/4-19	28	19
EMN-1719-RFTC	R3/8-19	28	22
EMN-2114-RFTC	R1/2-14	30	27
EMN-2614-RFTC	R3/4-14	35	32
EMN-3311-RFTC	R1"-11	42	41
EMN-4211-RFTC	R1"1/4-11	45	50
EMN-4811-RFTC	R1"1/2-11	47	55
EMN-6011-RFTC	R2"-11	55	70



BSP MALE THREAD WELDING NIPPLE



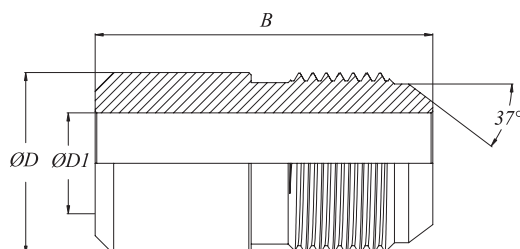
BSP FEMALE THREAD COUPLING FOR WELD



MATERIAL CODE	THREAD SIZE	B	ØD
EMN-1028-RMT	R1/8-28	23	4.5
EMN-1319-RMT	R1/4-19	25	7
EMN-1719-RMT	R3/8-19	27	9
EMN-2114-RMT	R1/2-14	30	12
EMN-2614-RMT	R3/4-14	32	15
EMN-3311-RMT	R1"-11	35	20
EMN-4211-RMT	R1"1/4-11	40	28
EMN-4811-RMT	R1"1/2-11	44	32
EMN-6011-RMT	R2"-11	45	45
EMN-7511-RMT	R2"1/2-11	45	56.5
EMN-8811-RMT	R3"-11	45	67

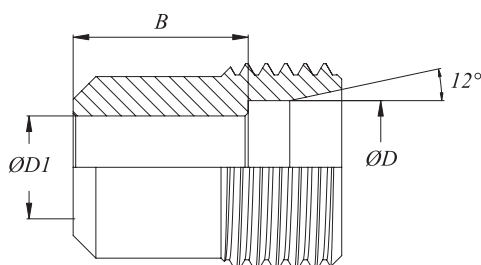
MATERIAL CODE	THREAD SIZE	B	ØD
EMN-1028-RFT	R1/8-28	14	19
EMN-1319-RFT	R1/4-19	14	22
EMN-1719-RFT	R3/8-19	14	26
EMN-2114-RFT	R1/2-14	17	42
EMN-2614-RFT	R3/4-14	20	40
EMN-3311-RFT	R1"-11	23	45
EMN-4211-RFT	1" 1/4-11	25	57
EMN-4811-RFT	1" 1/2-11	27	64
EMN-6011-RFT	2"-11	28	80

UNF MALE THREAD WELDING NIPPLE



MATERIAL CODE	THREAD SIZE	B	ØD	ØD1
EMN-1220-WMT	1/2-20	28.5	13	6
EMN-1418-WMT	9/16-18	33	14	7.5
EMN-1618-WMT	5/8-18	35	16	8
EMN-1916-WMT	3/4-16	40	19	10
EMN-2214-WMT	7/8-14	40	22	12.5
EMN-2712-WMT	1"1/16-12	50	27	15.5
EMN-3312-WMT	1"5/16-12	55	33	21.5

## METRIC MALE THREAD WELDING NIPPLE



MATERIAL CODE	THREAD SIZE	B	ØD	ØD1
---------------	-------------	---	----	-----

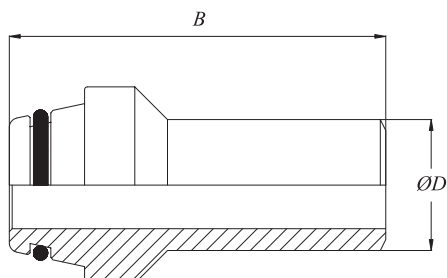
**L TYPE**

EMN-1206-MMWN-L	M12x1,5	6L	10	6	4
EMN-1408-MMWN-L	M14x1,5	8L	11.5	8	6
EMN-1610-MMWN-L	M16x1,5	10L	13.5	10	8
EMN-1812-MMWN-L	M18x1,5	12L	18	12	10
EMN-2215-MMWN-L	M22x1,5	15L	21	15	12
EMN-2618-MMWN-L	M26x1,5	18L	20.5	18	15
EMN-3022-MMWN-L	M30x2	22L	21.5	22	19
EMN-3628-MMWN-L	M36x2	28L	25	28	24
EMN-4535-MMWN-L	M45x2	35L	29.5	35	30
EMN-5242-MMWN-L	M52x2	42L	28	42	36

**S TYPE**

EMN-2012-MMWN-S	M20x1,5	12S	18.5	12	8
EMN-2416-MMWN-S	M24x1,5	16S	19.5	16	12
EMN-3020-MMWN-S	M30x2	20S	21.5	20	16
EMN-3625-MMWN-S	M36x2	25S	24.5	25	20
EMN-4230-MMWN-S	M42x2	30S	26.5	30	25
EMN-5238-MMWN-S	M52x2	38S	29	38	32

## METRIC WELD-ON NIPPLE



MATERIAL CODE	THREAD SIZE	B	ØD
---------------	-------------	---	----

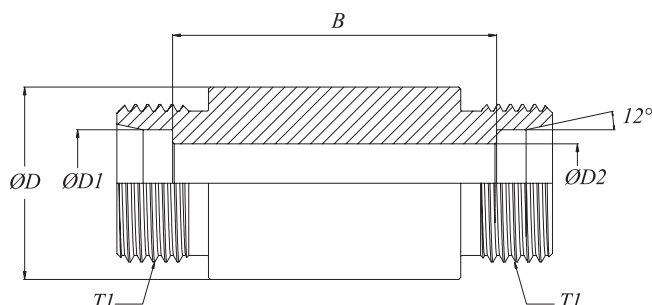
**L TYPE**

EMN-1206-MWON-L	M12x1,5	6L	30.5	6
EMN-1408-MWON-L	M14x1,5	8L	31	8
EMN-1610-MWON-L	M16x1,5	10L	32	10
EMN-1812-MWON-L	M18x1,5	12L	32	12
EMN-2215-MWON-L	M22x1,5	15L	33	
EMN-2618-MWON-L	M26x1,5	18L	37	18
EMN-3022-MWON-L	M30x2	22L	37	22
EMN-3628-MWON-L	M36x2	28L	42	28
EMN-4535-MWON-L	M45x2	35L	47	35
EMN-5242-MWON-L	M52x2	42L	48	42

**S TYPE**

EMN-1406-MWON-S	M14x1,5	6S	30.5	6
EMN-1608-MWON-S	M16x1,5	8S	31	8
EMN-1810-MWON-S	M18x1,5	10S	32	10
EMN-2012-MWON-S	M20x1,5	12S	32	12
EMN-2416-MWON-S	M24x1,5	16S	39	16
EMN-3020-MWON-S	M30x2	20S	44	20
EMN-3625-MWON-S	M36x2	25S	50	25
EMN-4230-MWON-S	M42x2	30S	52.5	30
EMN-5238-MWON-S	M52x2	38S	58	38

## METRIC WELD-IN BULKHEAD STRAIGHT CONNECTOR



MATERIAL CODE	THREAD SIZE T1	B	ØD	ØD1	ØD2
---------------	-------------------	---	----	-----	-----

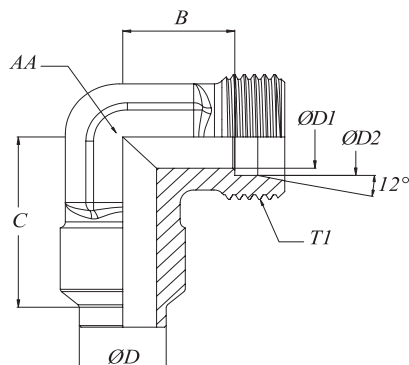
**L TYPE**

EMN-0606-MWBSC-L	M12x1,5	6L	56	18	6	4
EMN-0808-MWBSC-L	M14x1,5	8L	56	20	8	6
EMN-1010-MWBSC-L	M16x1,5	10L	58	22	10	8
EMN-1212-MWBSC-L	M18x1,5	12L	58	25	12	10
EMN-1515-MWBSC-L	M22x1,5	15L	70	28	15	12
EMN-1818-MWBSC-L	M26x1,5	18L	69	32	18	15
EMN-2222-MWBSC-L	M30x2	22L	73	36	22	19
EMN-2828-MWBSC-L	M36x2	28L	73	40	28	24
EMN-3535-MWBSC-L	M45x2	35L	71	50	35	30
EMN-4242-MWBSC-L	M52x2	42L	70	60	42	36

**S TYPE**

EMN-0606-MWBSC-S	M14x1,5	6S	60	20	6	4
EMN-0808-MWBSC-S	M16x1,5	8S	50	22	8	5
EMN-1010-MWBSC-S	M18x1,5	10S	59	25	10	7
EMN-1212-MWBSC-S	M20x1,5	12S	59	28	12	8
EMN-1616-MWBSC-S	M24x1,5	16S	71	35	16	12
EMN-2020-MWBSC-S	M30x2	20S	71	38	20	16
EMN-2525-MWBSC-S	M36x2	25S	72	45	25	20
EMN-3030-MWBSC-S	M42x2	30S	73	50	30	25
EMN-3838-MWBSC-S	M52x2	38S	72	60	38	32

## METRIC WELD ELBOW



MATERIAL CODE	THREAD SIZE T1	B	C	ØD	ØD1	ØD2	AA
---------------	-------------------	---	---	----	-----	-----	----

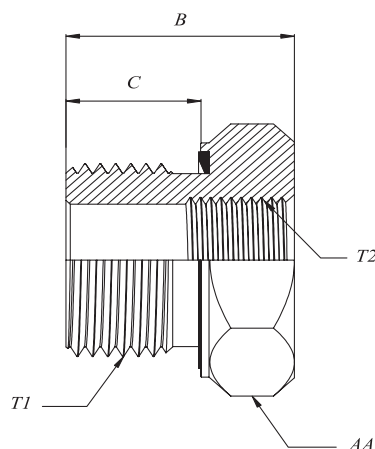
**L TYPE**

EMN-1206-MWE-L	M12x1,5	6L	12	21.5	6	4	6	12
EMN-1408-MWE-L	M14x1,5	8L	14	22	8	6	8	12
EMN-1610-MWE-L	M16x1,5	10L	15	23	10	8	10	14
EMN-1812-MWE-L	M18x1,5	12L	17	25.5	12	10	12	17
EMN-2215-MWE-L	M22x1,5	15L	21	29	15	12	15	19
EMN-2618-MWE-L	M26x1,5	18L	23.5	32.5	18	15	18	24
EMN-3022-MWE-L	M30x2	22L	27.5	37	22	19	22	27
EMN-3628-MWE-L	M36x2	28L	30.5	40	28	24	28	36
EMN-4535-MWE-L	M45x2	35L	34.5	44	35	30	35	41
EMN-5242-MWE-L	M52x2	42L	40	54.5	42	36	42	50

**S TYPE**

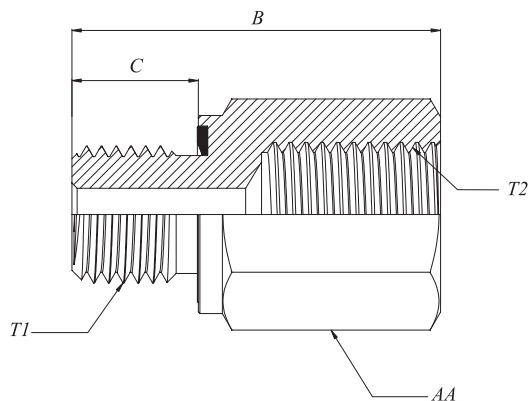
EMN-2012-MWE-S	M20x1,5	12S	21.5	26.5	12	8	12	17
EMN-2416-MWE-S	M24x1,5	16S	24.5	31	16	12	16	24
EMN-3020-MWE-S	M30x2	20S	26.5	38	20	16	20	27
EMN-3625-MWE-S	M36x2	25S	30	41	25	20	25	36
EMN-4230-MWE-S	M42x2	30S	35.5	44.5	30	25	30	41
EMN-5238-MWE-S	M52x2	38S	41	55	38	32	38	50

## MALE BSP THREAD WITH ELASTOMERIC SEAL - FEMALE BSP



MATERIAL CODE	THREAD SIZE T1	THREAD SIZE T2	B	C	AA
EMN-1310-MRTS	R1/4-19	R1/8-28	20	12	19
EMN-1710-MRTS	R3/8-19	R1/8-28	20.5	12	22
EMN-1713-MRTS	R3/8-19	R1/4-19	20.5	12	22
EMN-2110-MRTS	R1/2-14	R1/4-19	24	14	27
EMN-2113-MRTS	R1/2-14	R1/4-19	24	14	27
EMN-2117-MRTS	R1/2-14	R3/8-19	24	14	27
EMN-2613-MRTS	R1/2-14	R3/8-19	24	14	27
EMN-2617-MRTS	R3/4-14	R1/4-19	27	16	32
EMN-2621-MRTS	R3/4-14	R3/8-19	27	16	32
EMN-3313-MRTS	R3/4-14	R1/2-14	27	16	32
EMN-3317-MRTS	R1"-11	R3/8-19	30	18	41
EMN-3321-MRTS	R1"-11	R1/2-14	30	18	41
EMN-3326-MRTS	R1"-11	R1/2-14	30	18	41
EMN-4221-MRTS	R1"-11	R3/4-14	30	18	41
EMN-4226-MRTS	R1"1/4-11	R3/4-14	33.5	20	50
EMN-4233-MRTS	R1"1/4-11	R3/4-14	33.5	20	50
EMN-4821-MRTS	R1"1/4-11	R1"-11	33.5	20	50
EMN-4826-MRTS	R1"1/2-11	R3/4-14	36	22	55
EMN-4833-MRTS	R1"1/2-11	R1"-11	36	22	55
EMN-4842-MRTS	R1"1/2-11	R1"1/4-11	36	22	55
EMN-6033-MRTS	R1"1/2-11	R1"1/4-11	36	22	55
EMN-6042-MRTS	R2"-11	R1"1/4-11	42	24	70
EMN-6048-MRTS	R2"-11	R1"1/2-11	42	24	70

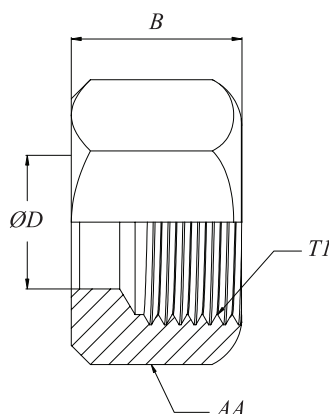
## MALE BSP THREAD WITH ELASTOMERIC SEAL - FEMALE BSP



MATERIAL CODE	THREAD SIZE T1	THREAD SIZE T2	B	C	AA
EMN-1010-MRTE	R1/8-28	R1/8-28	23	8	14
EMN-1013-MRTE	R1/8-28	R1/4-19	31	8	19
EMN-1310-MRTE	R1/4-19	R1/8-28	28	12	19
EMN-1313-MRTE	R1/4-19	R1/4-19	35	12	19
EMN-1317-MRTE	R1/4-19	R3/8-19	36	12	24
EMN-1321-MRTE	R1/4-19	R1/2-14	40	12	30
EMN-1713-MRTE	R3/8-19	R1/4-19	36	12	22
EMN-1717-MRTE	R3/8-19	R3/8-19	36	12	22
EMN-1721-MRTE	R3/8-19	R1/2-14	41	12	30
EMN-1726-MRTE	R3/8-19	R3/4-14	44	12	36
EMN-2117-MRTE	R1/2-14	R3/8-19	36	14	27
EMN-2121-MRTE	R1/2-14	R1/2-14	39	14	27
EMN-2126-MRTE	R1/2-14	R3/4-14	46	14	36
EMN-2133-MRTE	R1/2-14	R1"-11	49	14	41
EMN-2621-MRTE	R3/4-14	R1/2-14	41	16	32
EMN-2626-MRTE	R3/4-14	R3/4-14	43.5	16	36
EMN-2633-MRTE	R3/4-14	R1"-11	51	16	41
EMN-2642-MRTE	R3/4-14	R1"1/4-11	55	16	55
EMN-3326-MRTE	R1"-11	R3/4-14	47	18	41
EMN-3333-MRTE	R1"-11	R1"-11	50	18	41
EMN-3342-MRTE	R1"-11	R1"1/4-11	57	18	55
EMN-3348-MRTE	R1"-11	R1"1/2-11	59	18	60
EMN-4233-MRTE	R1"1/4-11	R1"-11	52	20	50
EMN-4242-MRTE	R1"1/4-11	R1"1/4-11	55	20	55
EMN-4248-MRTE	R1"1/4-11	R1"1/2-11	60	20	60
EMN-4842-MRTE	R1"1/2-11	R1"1/4-11	58	22	55
EMN-4848-MRTE	R1"1/2-11	R1"1/2-11	62	22	60



## METRIC TUBE NUT



MATERIAL CODE	NUT SIZE	TUBE OD ØD	B	AA
---------------	----------	---------------	---	----

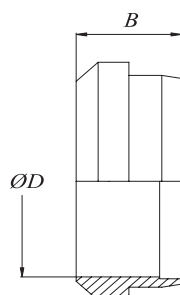
**L TYPE**

EMN-0106-MRN-LL	M10x1	6LL	6	12	12
EMN-0108-MRN-LL	M12x1	8LL	8	12.5	14
EMN-0106-MRN-L	M12x1,5	6L	6	15	14
EMN-0108-MRN-L	M14x1,5	8L	8	15	17
EMN-0110-MRN-L	M16x1,5	10L	10	16	19
EMN-0112-MRN-L	M18x1,5	12L	12	16	22
EMN-0115-MRN-L	M22x1,5	15L	15	17.5	27
EMN-0118-MRN-L	M26x1,5	18L	18	18.5	32
EMN-0122-MRN-L	M30x2	22L	22	20.5	36
EMN-0128-MRN-L	M36x2	28L	28	21	41
EMN-0135-MRN-L	M45x2	35L	35	24	50
EMN-0142-MRN-L	M52x2	42L	42	25.5	60

**S TYPE**

EMN-0206-MRN-S	M14x1,5	6S	6	17	17
EMN-0208-MRN-S	M16x1,5	8S	8	17	19
EMN-0210-MRN-S	M18x1,5	10S	10	18	22
EMN-0212-MRN-S	M20x1,5	12S	12	18.5	24
EMN-0214-MRN-S	M22x1,5	14S	14	21	27
EMN-0216-MRN-S	M24x1,5	16S	16	21	30
EMN-0220-MRN-S	M30x2	20S	20	24.5	36
EMN-0225-MRN-S	M36x2	25S	25	27	46
EMN-0230-MRN-S	M42x2	30S	30	29	50
EMN-0238-MRN-S	M52x2	38S	38	32.5	60

## CUTTING RING



MATERIAL CODE	TUBE OD ØD	B
---------------	---------------	---

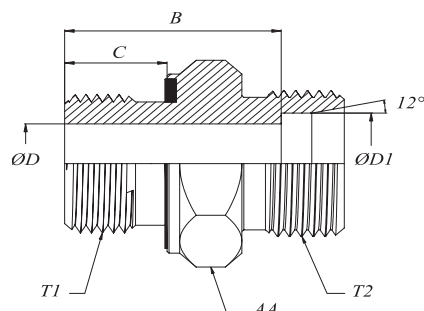
**L TYPE**

EMN-0106-CR-LL	6	7
EMN-0108-CR-LL	8	7
EMN-0106-CR-L	6	9.5
EMN-0108-CR-L	8	9.5
EMN-0110-CR-L	10	10
EMN-0112-CR-L	12	10
EMN-0115-CR-L	15	10
EMN-0118-CR-L	18	10
EMN-0122-CR-L	22	11.5
EMN-0128-CR-L	28	11.5
EMN-0135-CR-L	35	13.5
EMN-0142-CR-L	42	13.5

**S TYPE**

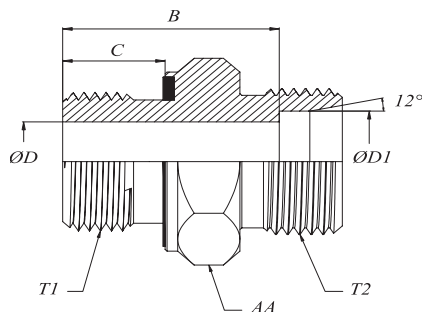
EMN-0216-CR-S	16	10.5
EMN-0220-CR-S	20	12.5
EMN-0225-CR-S	25	12.5
EMN-0230-CR-S	30	13.5
EMN-0238-CR-S	38	13.5

## BSP METRIC NIPPLES WITH ELASTOMERIC SEAL



MATERIAL CODE	THREAD SIZE T1	THREAD SIZE T2		B	C	ØD	ØD1	AA
<b>L TYPE</b>								
EMN-1006-RMWE-LL	R1/8-28	M10x1	6LL	16	8	4.5	6	14
EMN-1006-RMWE-L	R1/8-28	M12x1,5	6L	16.5	8	4	6	14
EMN-1008-RMWE-L	R1/8-28	M14x1,5	8L	17.5	8	4	8	14
EMN-1010-RMWE-L	R1/8-28	M16x1,5	10L	19.5	8	4	10	17
EMN-1306-RMWE-L	R1/4-19	M12x1,5	6L	22	12	4	6	19
EMN-1308-RMWE-L	R1/4-19	M14x1,5	8L	22	12	6	8	19
EMN-1310-RMWE-L	R1/4-19	M16x1,5	10L	23	12	6	10	19
EMN-1312-RMWE-L	R1/4-19	M18x1,5	12L	24	12	6	12	19
EMN-1706-RMWE-L	R3/8-19	M12x1,5	6L	23.5	12	4	6	22
EMN-1708-RMWE-L	R3/8-19	M14x1,5	8L	23.5	12	6	8	22
EMN-1710-RMWE-L	R3/8-19	M16x1,5	10L	24.5	12	8	10	22
EMN-1712-RMWE-L	R3/8-19	M18x1,5	12L	24.5	12	9	12	22
EMN-1715-RMWE-L	R3/8-19	M22x1,5	15L	25.5	12	9	15	24
EMN-2106-RMWE-L	R1/2-14	M12x1,5	6L	26	14	4	6	27
EMN-2108-RMWE-L	R1/2-14	M14x1,5	8L	26	14	6	8	27
EMN-2110-RMWE-L	R1/2-14	M16x1,5	10L	27	14	8	10	27
EMN-2112-RMWE-L	R1/2-14	M18x1,5	12L	27	14	10	12	27
EMN-2115-RMWE-L	R1/2-14	M22x1,5	15L	28	14	12	15	27
EMN-2118-RMWE-L	R1/2-14	M26x1,5	18L	28.5	14	13	18	27
EMN-2122-RMWE-L	R1/2-14	M30x2	22L	30.5	14	13	22	32
EMN-2612-RMWE-L	R3/4-14	M18x1,5	12L	30	16	10	12	32
EMN-2615-RMWE-L	R3/4-14	M22x1,5	15L	31	16	12	15	32
EMN-2618-RMWE-L	R3/4-14	M26x1,5	18L	30.5	16	15	18	32
EMN-2622-RMWE-L	R3/4-14	M30x2	22L	32.5	16	18	22	32
EMN-2628-RMWE-L	R3/4-14	M36x2	28L	33.5	16	18	28	41
EMN-3322-RMWE-L	R1"-11	M30x2	22L	35.5	18	19	22	41
EMN-3328-RMWE-L	R1"-11	M36x2	28L	35.5	18	23	28	41
EMN-3335-RMWE-L	R1"-11	M45x2	35L	35.5	18	23	35	46
EMN-4228-RMWE-L	R1"1/4-11	M36x2	28L	38.5	20	24	28	50
EMN-4235-RMWE-L	R1"1/4-11	M45x2	35L	37.5	20	30	35	50
EMN-4242-RMWE-L	R1"1/4-11	M52x2	42L	39	20	30	42	55
EMN-4835-RMWE-L	R1"1/2-11	M45x2	35L	41.5	22	30	35	55
EMN-4842-RMWE-L	R1"1/2-11	M52x2	42L	41	22	36	42	55

## BSP METRIC NIPPLES WITH ELASTOMERIC SEAL

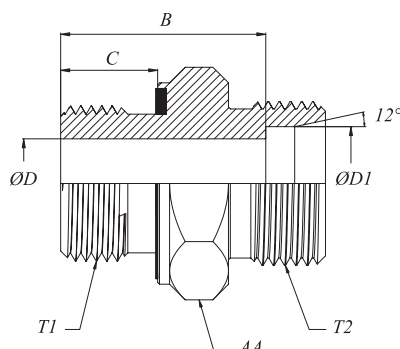


MATERIAL CODE	THREAD SIZE T1	THREAD SIZE T2	B	C	ØD	ØD1	AA
---------------	-------------------	-------------------	---	---	----	-----	----

**S TYPE**

EMN-1006-RMWE-S	R1/8-28	M14x1,5	6S	20.5	8	4	6	14
EMN-1008-RMWE-S	R1/8-28	M16x1,5	8S	21.5	8	4	8	17
EMN-1306-RMWE-S	R1/4-19	M14x1,5	6S	25	12	4	6	19
EMN-1308-RMWE-S	R1/4-19	M16x1,5	8S	27	12	5	8	19
EMN-1310-RMWE-S	R1/4-19	M18x1,5	10S	26.5	12	5	10	19
EMN-1312-RMWE-S	R1/4-19	M20x1,5	12S	28.5	12	6	12	22
EMN-1708-RMWE-S	R3/8-19	M16x1,5	8S	27.5	12	5	8	22
EMN-1710-RMWE-S	R3/8-19	M18x1,5	10S	27	12	7	10	22
EMN-1712-RMWE-S	R3/8-19	M20x1,5	12S	29	12	8	12	22
EMN-1716-RMWE-S	R3/8-19	M24x1,5	16S	30	12	8	16	27
EMN-1720-RMWE-S	R3/8-19	M30x2	20S	35	12	9	20	32
EMN-2108-RMWE-S	R1/2-14	M16x1,5	8S	32	14	5	8	27
EMN-2110-RMWE-S	R1/2-14	M18x1,5	10S	31.5	14	7	10	27
EMN-2112-RMWE-S	R1/2-14	M20x1,5	12S	31.5	14	8	12	27
EMN-2116-RMWE-S	R1/2-14	M24x1,5	16S	32.5	14	12	16	27
EMN-2120-RMWE-S	R1/2-14	M30x2	20S	34.5	14	12	20	32
EMN-2125-RMWE-S	R1/2-14	M36x2	25S	41	14	12	25	36
EMN-2612-RMWE-S	R3/4-14	M20x1,5	12S	36	16	8	12	32
EMN-2616-RMWE-S	R3/4-14	M24x1,5	16S	36.5	16	12	16	32
EMN-2620-RMWE-S	R3/4-14	M30x2	20S	36.5	16	16	20	32
EMN-2625-RMWE-S	R3/4-14	M36x2	25S	39	16	16	25	41
EMN-2630-RMWE-S	R3/4-14	M42x2	30S	39.5	16	16	30	46
EMN-3312-RMWE-S	R1"-11	M20x1,5	12S	39	18	8	12	41
EMN-3316-RMWE-S	R1"-11	M24x1,5	16S	38.5	18	12	16	41
EMN-3320-RMWE-S	R1"-11	M30x2	20S	40.5	18	16	20	41
EMN-3325-RMWE-S	R1"-11	M36x2	25S	41	18	20	25	41
EMN-3330-RMWE-S	R1"-11	M42x2	30S	41.5	18	20	30	46
EMN-3338-RMWE-S	R1"-11	M52x2	38S	41	18	20	38	55
EMN-4220-RMWE-S	R1"1/4-11	M30x2	20S	42.5	20	16	20	50
EMN-4225-RMWE-S	R1"1/4-11	M36x2	25S	43	20	20	25	50
EMN-4230-RMWE-S	R1"1/4-11	M42x2	30S	43.5	20	25	30	50
EMN-4238-RMWE-S	R1"1/4-11	M52x2	38S	46	20	25	38	55
EMN-4825-RMWE-S	R1"1/2-11	M36x2	25S	46	22	20	25	55
EMN-4830-RMWE-S	R1"1/2-11	M42x2	30S	48.5	22	25	30	55
EMN-4838-RMWE-S	R1"1/2-11	M52x2	38S	48	22	32	38	55

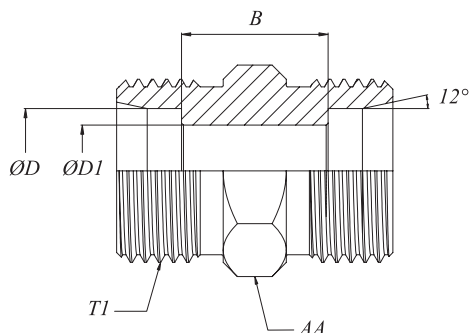
## MALE METRIC WITH ELASTOMERIC SEAL - METRIC 24° CONE NIPPLE



MATERIAL CODE	THREAD SIZE T1	THREAD SIZE T2	B	C	ØD	ØD1	AA	
<b>L TYPE</b>								
EMN-1006-MMWE-LL	M10x1	M10x1,5	6LL	21.5	8	4	12	14
EMN-1006-MMWE-L	M10x1	M12x1,5	6L	23.5	8	4	12	14
EMN-1206-MMWE-L	M12x1,5	M12x1,5	6L	22	12	4	6	17
EMN-1208-MMWE-L	M12x1,5	M14x1,5	8L	22	12	6	8	17
EMN-1408-MMWE-L	M14x1,5	M14x1,5	8L	22	12	6	8	19
EMN-1410-MMWE-L	M14x1,5	M16x1,5	10L	23	12	7	10	19
EMN-1412-MMWE-L	M14x1,5	M18x1,5	12L	24	12	7	12	19
EMN-1608-MMWE-L	M16x1,5	M14x1,5	8L	23.5	12	6	8	22
EMN-1610-MMWE-L	M16x1,5	M16x1,5	10L	24.5	12	8	10	22
EMN-1612-MMWE-L	M16x1,5	M18x1,5	12L	24.5	12	9	12	22
EMN-1810-MMWE-L	M18x1,5	M16x1,5	10L	24.5	12	8	10	24
EMN-1812-MMWE-L	M18x1,5	M18x1,5	12L	24.5	12	10	12	24
EMN-1815-MMWE-L	M18x1,5	M22x1,5	15L	25.5	12	11	15	24
EMN-2208-MMWE-L	M22x1,5	M14x1,5	8L	26.5	14	6	8	27
EMN-2210-MMWE-L	M22x1,5	M16x1,5	10L	27.5	14	8	10	27
EMN-2212-MMWE-L	M22x1,5	M18x1,5	12L	27.5	14	10	12	27
EMN-2215-MMWE-L	M22x1,5	M22x1,5	15L	29	14	12	15	27
EMN-2218-MMWE-L	M22x1,5	M26x1,5	18L	28.5	14	14	18	27
EMN-2618-MMWE-L	M22x1,5	M26x1,5	18L	38	16	15	12	32
EMN-2622-MMWE-L	M26x1,5	M30x2	22L	40	16	18	12	32
EMN-3328-MMWE-L	M33x2	M36x2	28L	43	18	23	12	40
EMN-4235-MMWE-L	M42x2	M45x2	35L	48	20	30	12	50
EMN-4842-MMWE-L	M48x2	M52x2	42L	52	22	36	12	55

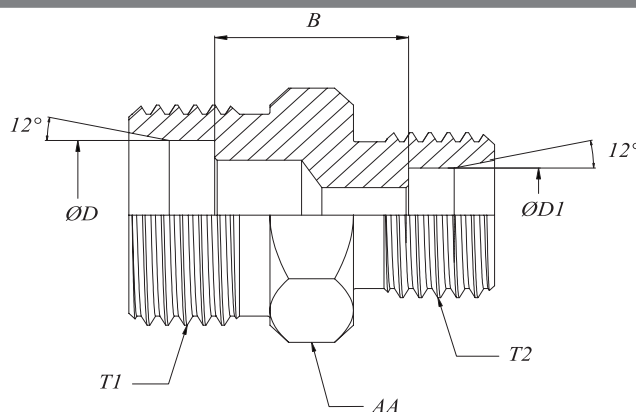
<b>S TYPE</b>								
EMN-1206-MMWE-S	M18x1,5	M20x1,5	12S	29	12	8	12	24
EMN-1408-MMWE-S	M22x1,5	M24x1,5	16S	32.5	14	12	16	27
EMN-1610-MMWE-S	M16x1,5	M18x1,5	10S	34.5	12	8	12	24
EMN-1812-MMWE-S	M18x1,5	M20x1,5	12S	29	12	7	12	22
EMN-2212-MMWE-S	M22x1,5	M20x1,5	12S	39	14	8	12	27
EMN-2216-MMWE-S	M22x1,5	M24x1,5	16S	32.5	14	12	16	27
EMN-2720-MMWE-S	M27x1,5	M30x2	20S	47	16	16	12	32
EMN-3325-MMWE-S	M33x2	M36x2	25S	53	18	20	12	41
EMN-3330-MMWE-S	M33x2	M42x2	30S	55	18	20	12	46
EMN-4230-MMWE-S	M42x2	M42x2	30S	57	20	25	12	50
EMN-4838-MMWE-S	M48x2	M52x2	38S	64	22	32	12	55

## METRIC 24° STRAIGHT UNION CONNECTOR



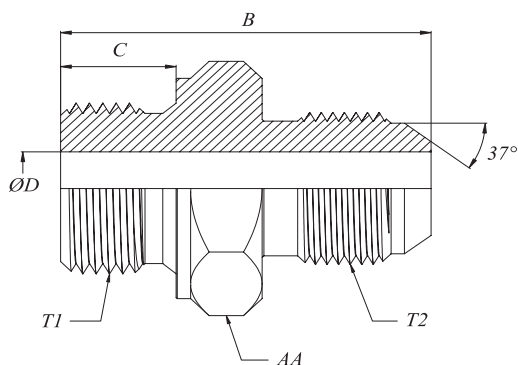
MATERIAL CODE	THREAD SIZE T1		THREAD SIZE T2		B	ØD	ØD1	AA
<b>L TYPE</b>								
EMN-0606-MSUC-LL	M10x1	6LL	M10x1	6LL	9	6	4.5	11
EMN-0606-MSUC-L	M12x1,5	6L	M12x1,5	6L	10	6	4	12
EMN-0808-MSUC-L	M14x1,5	8L	M14x1,5	8L	11	8	6	14
EMN-1010-MSUC-L	M16x1,5	10L	M16x1,5	10L	13	10	8	17
EMN-1212-MSUC-L	M18x1,5	12L	M18x1,5	12L	14	12	10	19
EMN-1515-MSUC-L	M22x1,5	15L	M22x1,5	15L	16	15	12	24
EMN-1818-MSUC-L	M26x1,5	18L	M26x1,5	18L	16	18	15	27
EMN-2222-MSUC-L	M30x2	22L	M30x2	22L	20	22	19	32
EMN-2828-MSUC-L	M36x2	28L	M36x2	28L	21	28	24	41
EMN-3535-MSUC-L	M45x2	35L	M45x2	35L	20	35	30	46
EMN-4242-MSUC-L	M52x2	42L	M52x2	42L	21	42	36	55
<b>S TYPE</b>								
EMN-0606-MSUC-S	M14x1,5	6S	M14x1,5	6S	16	6	4	14
EMN-0808-MSUC-S	M16x1,5	8S	M16x1,5	8S	18	8	5	17
EMN-1010-MSUC-S	M18x1,5	10S	M18x1,5	10S	17	10	7	19
EMN-1212-MSUC-S	M20x1,5	12S	M20x1,5	12S	19	12	8	22
EMN-1616-MSUC-S	M24x1,5	16S	M24x1,5	16S	21	16	12	27
EMN-2020-MSUC-S	M30x2	20S	M30x2	20S	23	20	16	32
EMN-2525-MSUC-S	M36x2	25S	M36x2	25S	26	25	20	41
EMN-3030-MSUC-S	M42x2	30S	M42x2	30S	27	30	25	46
EMN-3838-MSUC-S	M52x2	38S	M52x2	38S	29	38	32	55

## METRIC 24° STRAIGHT REDUCER



MATERIAL CODE	THREAD SIZE T1		THREAD SIZE T2		B	ØD	ØD1	AA
<b>L TYPE</b>								
EMN-0806-MSR-L	M14x1,5	8L	M12x1,5	6L	11	8	6	14
EMN-1006-MSR-L	M16x1,5	10L	M12x1,5	6L	12	10	6	17
EMN-1008-MSR-L	M16x1,5	10L	M14x1,5	8L	12	10	8	17
EMN-1206-MSR-L	M18x1,5	12L	M12x1,5	6L	13	12	6	19
EMN-1208-MSR-L	M18x1,5	12L	M14x1,5	8L	13	12	8	19
EMN-1210-MSR-L	M18x1,5	12L	M16x1,5	10L	14	12	10	19
EMN-1510-MSR-L	M22x1,5	15L	M16x1,5	10L	15	15	10	24
EMN-1512-MSR-L	M22x1,5	15L	M18x1,5	12L	15	15	12	24
EMN-1810-MSR-L	M26x1,5	18L	M16x1,5	10L	15.5	18	10	27
EMN-1812-MSR-L	M26x1,5	18L	M18x1,5	12L	15.5	18	12	27
EMN-1815-MSR-L	M26x1,5	18L	M22x1,5	15L	16.5	18	15	27
EMN-2212-MSR-L	M30x2	22L	M18x1,5	12L	20	22	12	32
EMN-2215-MSR-L	M30x2	22L	M22x1,5	15L	19	22	15	32
<b>S TYPE</b>								
EMN-1612-MSR-S	M24x1,5	16S	M20x1,5	12S	20	16	12	27
EMN-2016-MSR-S	M30x2	20S	M24x1,5	16S	23	20	16	32
EMN-2516-MSR-S	M36x2	25S	M24x1,5	16S	25.5	25	16	41
EMN-2520-MSR-S	M36x2	25S	M30x2	20S	25.5	25	20	41
EMN-3016-MSR-S	M42x2	30S	M24x1,5	16S	26	30	16	46
EMN-3020-MSR-S	M42x2	30S	M30x2	20S	26	30	20	46
EMN-3025-MSR-S	M42x2	30S	M36x2	25S	26.5	30	25	46

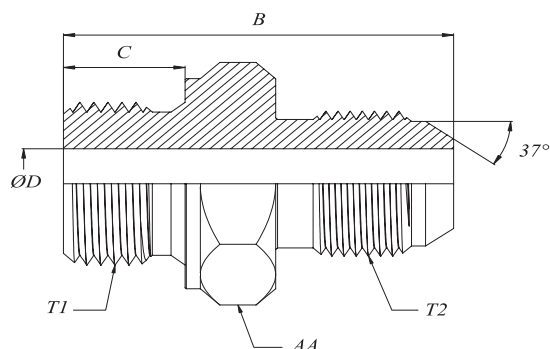
METRIC METAL SEALING EDGE - UNF 37° FLARE NIPPLE



MATERIAL CODE	THREAD SIZE T1	THREAD SIZE T2	B	C	ØD	AA
EMN-1616-MMSE	M16x1,5	5/8-18	37	12	8	22
EMN-1619-MMSE	M16x1,5	3/4-16	37.5	12	9	22
EMN-1819-MMSE	M18x1,5	3/4-16	38	12	10	24
EMN-2216-MMSE	M22x1,5	5/8-18	39.5	14	8	27
EMN-2219-MMSE	M22x1,5	3/4-16	40	14	10	27

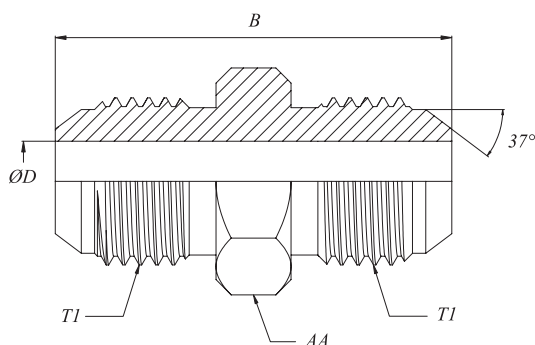


## BSP METAL SEALING EDGE - UNF 37° FLARE NIPPLE



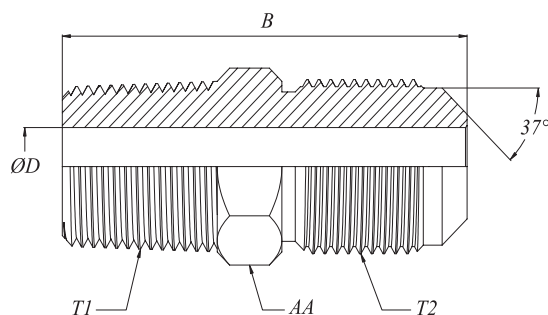
MATERIAL CODE	THREAD SIZE T1	THREAD SIZE T2	B	C	ØD	AA
EMN-1011-RMSE	R1/8-28	7/16-20	29.5	8	4	14
EMN-1311-RMSE	R1/4-19	7/16-20	34	12	4.5	19
EMN-1312-RMSE	R1/4-19	1/2-20	34	12	6	19
EMN-1314-RMSE	R1/4-19	9/16-18	34.5	12	7	19
EMN-1316-RMSE	R1/4-19	5/8-18	36.5	12	6	19
EMN-1319-RMSE	R1/4-19	3/4-16	37	12	6	19
EMN-1711-RMSE	R3/8-19	7/16-20	34.5	12	4.5	22
EMN-1712-RMSE	R3/8-19	1/2-20	34.5	12	6	22
EMN-1714-RMSE	R3/8-19	9/16-18	34.5	12	7.5	22
EMN-1716-RMSE	R3/8-19	5/8-18	36.5	12	8	22
EMN-1719-RMSE	R3/8-19	3/4-16	37.5	12	9	22
EMN-1722-RMSE	R3/8-19	7/8-14	40	12	9	22
EMN-2112-RMSE	R1/2-14	1/2-20	38	14	6	27
EMN-2114-RMSE	R1/2-14	9/16-18	38	14	7.5	27
EMN-2116-RMSE	R1/2-14	5/8-18	40	14	8	27
EMN-2119-RMSE	R1/2-14	3/4-16	41	14	10	27
EMN-2122-RMSE	R1/2-14	7/8-14	43.5	14	12	27
EMN-2127-RMSE	R1/2-14	1"1/16-12	46.5	14	12	27
EMN-2619-RMSE	R3/4-14	3/4-16	43	16	10	32
EMN-2622-RMSE	R3/4-14	7/8-14	45.5	16	12.5	32
EMN-2627-RMSE	R3/4-14	1"1/16-12	50	16	15.5	32
EMN-2633-RMSE	R3/4-14	1"5/16-12	51	16	16	36
EMN-3327-RMSE	R1"-11	1"1/16-12	53	18	15.5	41
EMN-3333-RMSE	R1"-11	1"5/16-12	54	18	21.5	41
EMN-3341-RMSE	R1"-11	1"5/16-12	54	18	21.5	41
EMN-4233-RMSE	R1"1/4-11	1"5/16-12	58	20	21.5	50
EMN-4241-RMSE	R1"1/4-11	1"5/8-12	59	20	27.5	50
EMN-4847-RMSE	R1"1/2-11	1"7/8-12	66	22	33.5	55

## UNF STRAIGHT UNION CONNECTOR



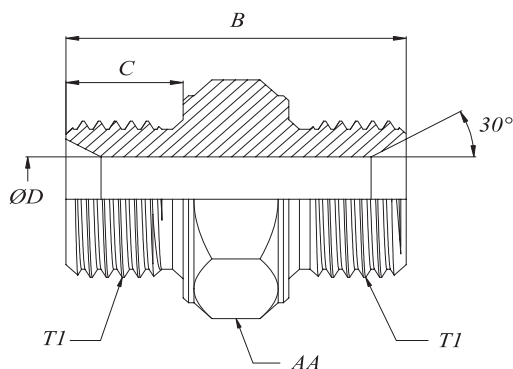
MATERIAL CODE	THREAD SIZE T1	THREAD SIZE T2	B	ØD	AA
EMN-1111-WSUC	7/16-20	7/16-20	35	4.5	12
EMN-1212-WSUC	1/2-20	1/2-20	35	6	14
EMN-1414-WSUC	9/16-18	9/16-18	35.5	7.5	17
EMN-1616-WSUC	5/8-18	5/8-18	39	8	17
EMN-1919-WSUC	3/4-16	3/4-16	41	10	19
EMN-2222-WSUC	7/8-14	7/8-14	48	12.5	24
EMN-2727-WSUC	1"1/16-12	1"1/16-12	55	15.5	27
EMN-3333-WSUC	1"5/16-12	1"5/16-12	57	21.5	36
EMN-4141-WSUC	1"5/8-12	1"5/8-12	61.5	27.5	46
EMN-4747-WSUC	1"7/8-12	1"7/8-12	69.5	33.5	50

## BSPT THREAD - UNF 37° FLARE NIPPLE



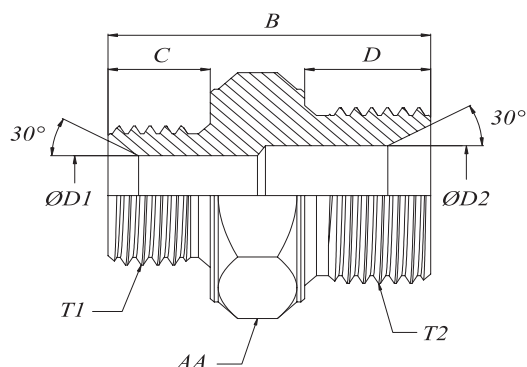
MATERIAL CODE	THREAD SIZE		B	ØD	AA
	T1	T2			
EMN-1011-NTFN	1/8-28	BSPT 7/16-20	31.5	4.5	13
EMN-1311-NTFN	1/4-19	BSPT 7/16-20	36	4.5	14
EMN-1312-NTFN	1/4-19	BSPT 1/2-20	36	6	14
EMN-1314-NTFN	1/4-19	BSPT 9/16-18	36	7	16
EMN-1316-NTFN	1/4-19	BSPT 5/8-18	37.5	7	17
EMN-1319-NTFN	1/4-19	BSPT 3/4-16	39	7	19
EMN-1714-NTFN	3/8-19	BSPT 9/16-18	36	7.5	19
EMN-1716-NTFN	3/8-19	BSPT 5/8-18	38	8	19
EMN-1719-NTFN	3/8-19	BSPT 3/4-16	38.5	10	19
EMN-2114-NTFN	1/2-14	BSPT 9/16-18	43	7.5	22
EMN-2116-NTFN	1/2-14	BSPT 5/8-18	45	8	22
EMN-2119-NTFN	1/2-14	BSPT 3/4-16	45.5	10	22
EMN-2122-NTFN	1/2-14	BSPT 7/8-14	48	12.5	24
EMN-2627-NTFN	3/4-14	BSPT 1"1/16-12	52	15.5	27
EMN-3333-NTFN	1"-11	BSPT 1"5/16-12	58	21.5	36

## BSP STRAIGHT UNION CONNECTOR



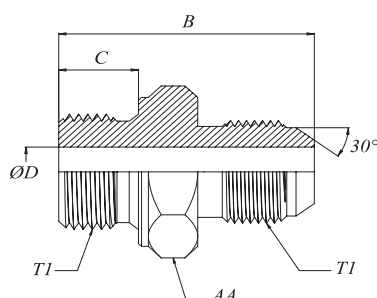
MATERIAL CODE	THREAD SIZE T1	THREAD SIZE T2	B	C	ØD	AA
EMN-1010-RSUC	R1/8-28	R1/8-28	24.5	9	4	14
EMN-1313-RSUC	R1/4-19	R1/4-19	30.5	11	6	19
EMN-1717-RSUC	R3/8-19	R3/8-19	33.5	12	9	22
EMN-2121-RSUC	R1/2-14	R1/2-14	39	14	12	27
EMN-2323-RSUC	R5/8-14	R5/8-14	43.5	16	14	30
EMN-2626-RSUC	R3/4-14	R3/4-14	44	16	16	32
EMN-3333-RSUC	R1"-11	R1"-11	50.5	18.5	20	41
EMN-4242-RSUC	R1"1/4-11	R1"1/4-11	59.5	22	28	50
EMN-4848-RSUC	R1"1/2-11	R1"1/2-11	61	22	32	55
EMN-6060-RSUC	R2"-11	R2"-11	66.5	24	45	70
EMN-7575-RSUC	R2"1/2-11	R2"1/2-11	70	24	56	81
EMN-8888-RSUC	R3"-11	R3"-11	70	24	68	91

## BSP 60° STRAIGHT REDUCER



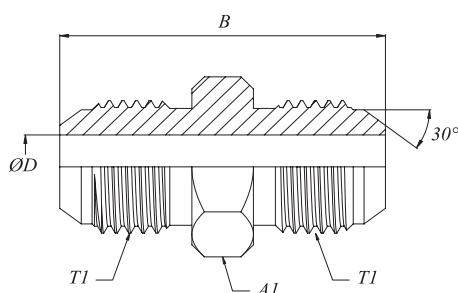
MATERIAL CODE	THREAD SIZE T1	THREAD SIZE T2	B	C	D	ØD1	ØD2	AA
EMN-1013-RSR	R1/8-28	R1/4-19	29	9	11	4	6	19
EMN-1017-RSR	R1/8-28	R3/8-19	30.5	9	12	4	9	22
EMN-1317-RSR	R1/4-19	R3/8-19	32.5	11	12	6	9	22
EMN-1321-RSR	R1/4-19	R1/2-14	36	11	14	6	12	27
EMN-1326-RSR	R1/4-19	R3/4-14	39	11	16	6	16	32
EMN-1721-RSR	R3/8-19	R1/2-14	37	12	14	9	12	27
EMN-1726-RSR	R3/8-19	R3/4-14	40	12	16	9	16	32
EMN-2123-RSR	R1/2-14	R5/8-14	41.5	14	16	12	12	30
EMN-2126-RSR	R1/2-14	R3/4-14	42	14	16	12	16	32
EMN-2133-RSR	R1/2-14	R1"-11	46	14	18.5	12	20	41
EMN-2326-RSR	R5/8-14	R3/4-14	44	16	16	14	16	32
EMN-2633-RSR	R3/4-14	R1"-11	48	16	18.5	16	20	41
EMN-2642-RSR	R3/4-14	R1"1/4-11	53.5	16	22	16	28	50
EMN-2648-RSR	R3/4-14	R1"1/2-11	55.5	16	22	16	32	55
EMN-3342-RSR	R1"-11	R1"1/4-11	56	18.5	22	20	28	50
EMN-3348-RSR	R1"-11	R1"1/2-11	57.5	18.5	22	20	32	55
EMN-3360-RSR	R1"-11	R2"-11	62	18.5	24	20	45	70
EMN-4248-RSR	R1"1/4-11	R1"1/2-11	61	22	22	28	32	55
EMN-4260-RSR	R1"1/4-11	R2"-11	65	22	24	28	45	70
EMN-4860-RSR	R1"1/2-11	R2"-11	65	22	24	32	45	70
EMN-6075-RSR	R2"-11	R2"1/2-11	70	24	24	45	56	81
EMN-7588-RSR	R2"1/2-11	R3"-11	69	24	24	56	68	91

## BSP METAL SEAL EDGE - BSP 30° FLARE NIPPLE



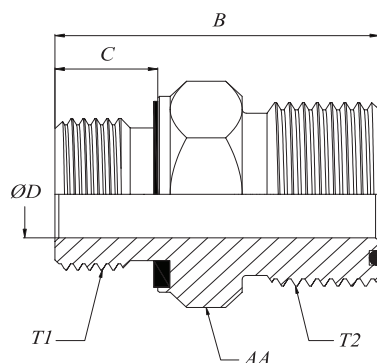
MATERIAL CODE	THREAD SIZE T1	THREAD SIZE T2	B	C	ØD	AA
EMN-1313-RMSE	R1/4-19	R1/4-19	34	12	6.5	19
EMN-1717-RMSE	R3/8-19	R3/8-19	36.5	12	8	22
EMN-2121-RMSE	R1/2-14	R1/2-14	43.5	14	12	27
EMN-2626-RMSE	R3/4-14	R3/4-14	49	16	15	32
EMN-3333-RMSE	R1"-11	R1"-11	55.5	18	20	41

## BSP 30° FLARE STRAIGHT UNION CONNECTOR



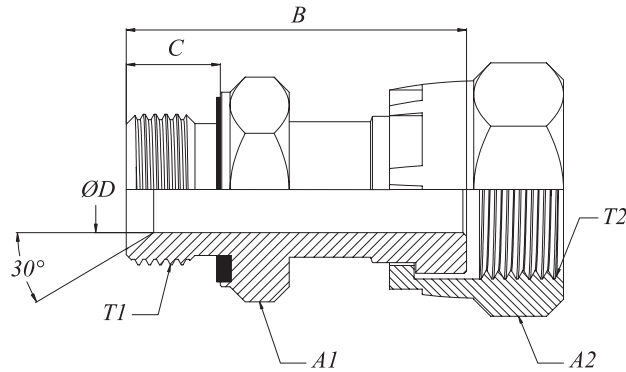
MATERIAL CODE	THREAD SIZE T1	THREAD SIZE T2	B	ØD	AA
EMN-1313-RFSU	R1/4-19	R1/4-19	35	6.5	14
EMN-1717-RFSU	R3/8-19	R3/8-19	40	8	17
EMN-2121-RFSU	R1/2-14	R1/2-14	49.5	12	24
EMN-2626-RFSU	R3/4-14	R3/4-14	55.5	15	27
EMN-3333-RFSU	R1"-11	R1"-11	61	20	36

## BSP ORFS NIPPLE WITH ELASTOMERIC SEAL



MATERIAL CODE	THREAD SIZE T1	THREAD SIZE T2	B	C	ØD	AA
EMN-1314-ROWE	R1/4-19	9/16-18	31	12	5	19
EMN-1317-ROWE	R1/4-19	11/16-16	32	12	6	19
EMN-1717-ROWE	R3/8-19	11/16-16	33	12	6	22
EMN-1721-ROWE	R3/8-19	13/16-16	35	12	9	22
EMN-2121-ROWE	R1/2-14	13/16-16	38	14	9	27
EMN-2125-ROWE	R1/2-14	1"-14	41	14	12	27
EMN-2630-ROWE	R3/4-14	1 3/16-12	46	16	15	32
EMN-2637-ROWE	R3/4-14	1 7/16-12	48	16	15	41
EMN-3337-ROWE	R1"-11	1 7/16-12	50	18	19	41
EMN-3343-ROWE	R1"-11	1 11/16-12	52	18	20	46
EMN-4237-ROWE	R1 1/4-11	1 7/16-12	54	20	19	50
EMN-4243-ROWE	R1 1/4-11	1 11/16-12	54	20	23	50

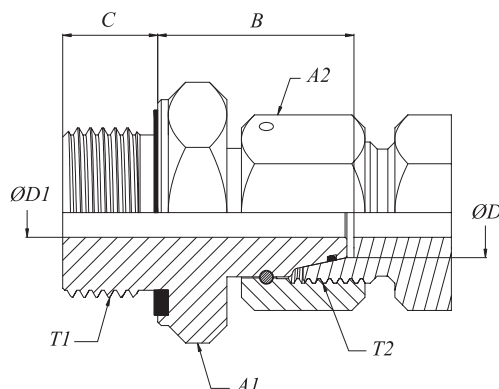
## BSP WITH ELASTOMERIC SEAL - ORFS FEMALE SWIWEL CONNECTOR



MATERIAL CODE	THREAD SIZE T1	THREAD SIZE T2	B	C	ØD	A1	A1
EMN-1314-RWES	R1/4-19	9/16-18	35.5	12	5	19	19
EMN-1317-RWES	R1/4-19	11/16-16	37.5	12	6	19	22
EMN-1717-RWES	R3/8-19	11/16-16	38	12	6	22	22
EMN-1721-RWES	R3/8-19	13/16-16	42	12	9	22	24
EMN-2121-RWES	R1/2-14	13/16-16	45	14	9	27	24
EMN-2125-RWES	R1/2-14	1"-14	48	14	12	27	30
EMN-2630-RWES	R3/4-14	1"3/16-12	53	16	15	32	36
EMN-2637-RWES	R3/4-14	1"7/16-12	55.5	16	16	36	41
EMN-3337-RWES	R1"-11	1"7/16-12	58	18	19	41	41
EMN-4243-RWES	R1"1/4-11	1"11/16-12	64	20	23	50	50

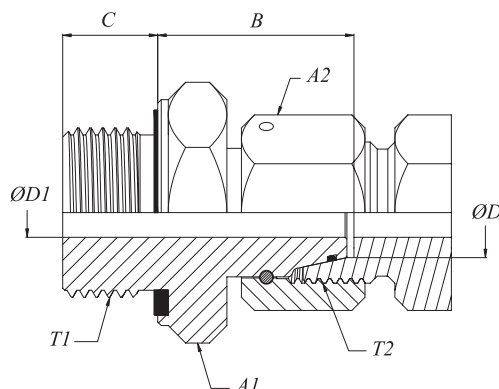


## BSP - METRIC SWIVEL CONNECTOR WITH ELASTOMERIC SEAL



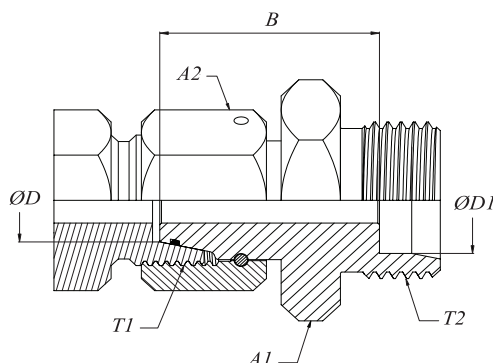
MATERIAL CODE	THREAD SIZE T1	THREAD SIZE T2	TUBE OD ØD	B	C	ØD1	A1	A2	
EMN-1006-RMSC-L	R1/8-28	M12x1,5	6L	6	24.5	8	3	14	17
EMN-1008-RMSC-L	R1/8-28	M14x1,5	8L	8	25	8	4	14	17
EMN-1306-RMSC-L	R1/4-19	M12x1,5	6L	6	25	12	3	19	17
EMN-1308-RMSC-L	R1/4-19	M14x1,5	8L	8	29.5	12	4	19	17
EMN-1310-RMSC-L	R1/4-19	M16x1,5	10L	10	27.5	12	6	19	19
EMN-1312-RMSC-L	R1/4-19	M18x1,5	12L	12	27.5	12	6	19	22
EMN-1708-RMSC-L	R3/8-19	M14x1,5	8L	8	27.5	12	4	22	17
EMN-1710-RMSC-L	R3/8-19	M16x1,5	10L	10	29	12	6	22	19
EMN-1712-RMSC-L	R3/8-19	M18x1,5	12L	12	34	12	8	22	22
EMN-1715-RMSC-L	R3/8-19	M22x1,5	15L	15	30	12	9	22	27
EMN-2110-RMSC-L	R1/2-14	M16x1,5	10L	10	27.5	14	6	27	19
EMN-2112-RMSC-L	R1/2-14	M18x1,5	12L	12	29.5	14	8	27	22
EMN-2115-RMSC-L	R1/2-14	M22x1,5	15L	15	32	14	10	27	27
EMN-2118-RMSC-L	R1/2-14	M26x1,5	18L	18	31.5	14	13	27	32
EMN-2122-RMSC-L	R1/2-14	M30x2	22L	22	32.5	14	13	30	36
EMN-2618-RMSC-L	R3/4-14	M26x1,5	18L	18	29.5	16	13	32	32
EMN-2622-RMSC-L	R3/4-14	M30x2	22L	22	32.5	16	17	32	36
EMN-2628-RMSC-L	R3/4-14	M36x2	28L	28	34	16	18	36	41
EMN-3322-RMSC-L	R1"-11	M30x2	22L	22	36	18	17	41	36
EMN-3328-RMSC-L	R1"-11	M36x2	28L	28	35	18	22	41	41
EMN-3335-RMSC-L	R1"-11	M45x2	35L	35	41	18	22	46	50
EMN-4228-RMSC-L	R1"1/4-11	M36x2	28L	28	37	20	22	50	41
EMN-4235-RMSC-L	R1"1/4-11	M45x2	35L	35	42.5	20	28	50	50
EMN-4242-RMSC-L	R1"1/4-11	M52x2	42L	42	44.5	20	30	50	60
EMN-4842-RMSC-L	R1"1/2-11	M52x2	42L	42	46.5	22	34	55	60

## BSP - METRIC SWIVEL CONNECTOR WITH ELASTOMERIC SEAL



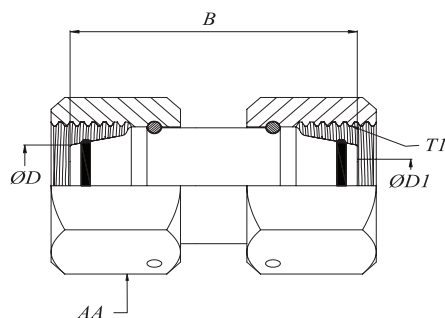
MATERIAL CODE	THREAD SIZE T1	THREAD SIZE T2	TUBE OD ØD	B	C	ØD1	A1	A2	
EMN-1306-RMSC-S	R1/4-19	M14x1,5	6S	6	27	12	3	19	17
EMN-1308-RMSC-S	R1/4-19	M16x1,5	8S	8	29.5	12	4	19	19
EMN-1310-RMSC-S	R1/4-19	M18x1,5	10S	10	31.5	12	6	19	22
EMN-1312-RMSC-S	R1/4-19	M20x1,5	12S	12	31.5	12	6	19	24
EMN-1708-RMSC-S	R3/8-19	M16x1,5	8S	8	30.5	12	4	22	19
EMN-1710-RMSC-S	R3/8-19	M18x1,5	10S	10	32	12	6	22	22
EMN-1712-RMSC-S	R3/8-19	M20x1,5	12S	12	34	12	8	22	24
EMN-1716-RMSC-S	R3/8-19	M24x1,5	16S	16	36.5	12	9	24	30
EMN-2112-RMSC-S	R1/2-14	M20x1,5	12S	12	35	14	8	27	24
EMN-2116-RMSC-S	R1/2-14	M24x1,5	16S	16	37	14	11	27	30
EMN-2120-RMSC-S	R1/2-14	M30x2	20S	20	42	14	12	30	36
EMN-2616-RMSC-S	R3/4-14	M24x1,5	16S	16	39.5	16	11	32	30
EMN-2620-RMSC-S	R3/4-14	M30x2	20S	20	43	16	14	32	36
EMN-2625-RMSC-S	R3/4-14	M36x2	25S	25	46.5	16	16	36	46
EMN-3320-RMSC-S	R1"-11	M30x2	20S	20	44	18	14	41	36
EMN-3325-RMSC-S	R1"-11	M36x2	25S	25	48	18	18	41	46
EMN-3330-RMSC-S	R1"-11	M42x2	30S	30	50	18	22	41	50
EMN-4225-RMSC-S	R1"1/4-11	M36x2	25S	25	45	20	18	50	46
EMN-4230-RMSC-S	R1"1/4-11	M42x2	30S	30	51	20	23	50	50
EMN-4238-RMSC-S	R1"1/4-11	M52x2	38S	38	58	20	28	50	60
EMN-4838-RMSC-S	R1"1/2-11	M52x2	38S	38	60	22	30	55	60

## METRIC REDUCING SWIVEL STRAIGHT ADAPTER WITH O-RING



MATERIAL CODE	THREAD SIZE T1		THREAD SIZE T2		ØD	ØD1	B	A1	A2
<b>L TYPE</b>									
EMN-0806-MRSS-L	M14x1,5	8L	M12x1,5	6L	8	6	22.5	12	17
EMN-1006-MRSS-L	M16x1,5	10L	M12x1,5	6L	10	6	24	14	19
EMN-1008-MRSS-L	M16x1,5	10L	M14x1,5	8L	10	8	24	14	19
EMN-1206-MRSS-L	M18x1,5	12L	M18x1,5	12L	12	6	25	17	22
EMN-1208-MRSS-L	M18x1,5	12L	M14x1,5	8L	12	8	25	17	22
EMN-1210-MRSS-L	M18x1,5	12L	M16x1,5	10L	12	10	26	17	22
EMN-1512-MRSS-L	M22x1,5	15L	M18x1,5	12L	15	12	28	22	27
EMN-1812-MRSS-L	M26x1,5	18L	M18x1,5	12L	18	12	29.5	24	32
EMN-2215-MRSS-L	M30x2	22L	M22x1,5	15L	22	15	34.5	27	36
EMN-2218-MRSS-L	M30x2	22L	M26x1,5	18L	22	18	34.5	27	36
EMN-2812-MRSS-L	M36x2	28L	M18x1,5	12L	28	12	34.5	36	41
EMN-2815-MRSS-L	M36x2	28L	M22x1,5	15L	28	15	35.4	41	41
EMN-2818-MRSS-L	M36x2	28L	M26x1,5	18L	28	18	35	36	41
EMN-2822-MRSS-L	M36x2	28L	M30x2	22L	28	22	37.5	36	41
EMN-3522-MRSS-L	M45x2	35L	M30x2	22L	35	22	41.5	46	50
EMN-3528-MRSS-L	M45x2	35L	M36x2	28L	35	28	41.5	46	50
EMN-4228-MRSS-L	M52x2	42L	M36x2	28L	42	28	41.5	50	60
EMN-4235-MRSS-L	M52x2	42L	M45x2	35L	42	35	41	50	60
<b>S TYPE</b>									
EMN-1612-MRSS-S	M24x1,5	16S	M20x1,5	12S	16	12	30.5	22	30
EMN-2012-MRSS-S	M30x2	20S	M20x1,5	12S	20	12	34.5	27	36
EMN-2016-MRSS-S	M30x2	20S	M24x1,5	16S	20	16	35.5	27	36
EMN-2512-MRSS-S	M36x2	25S	M20x1,5	12S	25	12	35	36	46
EMN-2516-MRSS-S	M36x2	25S	M24x1,5	16S	25	16	36	36	46
EMN-2520-MRSS-S	M36x2	25S	M30x2	20S	25	20	36	36	46
EMN-3016-MRSS-S	M42x2	30S	M24x1,5	16S	30	16	39.5	41	50
EMN-3020-MRSS-S	M42x2	30S	M30x2	20S	30	20	39.5	41	50
EMN-3025-MRSS-S	M42x2	30S	M36x2	25S	30	25	40	41	50
EMN-3816-MRSS-S	M52x2	38S	M24x1,5	38S	38	16	43	50	60
EMN-3820-MRSS-S	M52x2	38S	M30x2	20S	38	20	43.5	50	60
EMN-3825-MRSS-S	M52x2	38S	M36x2	25S	38	25	44	50	60
EMN-3830-MRSS-S	M52x2	38S	M42x2	30S	38	30	44.5	50	60

## METRIC STRAIGHT UNION SWIVEL REDUCER WITH NUT



MATERIAL CODE	THREAD SIZE T1	ØD	ØD1	B	AA
---------------	-------------------	----	-----	---	----

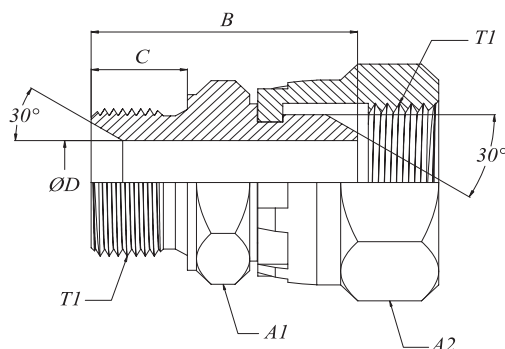
**L TYPE**

EMN-1206-MSUS-L	M12x1,5	6L	6	3	32	17
EMN-1408-MSUS-L	M14x1,5	8L	8	4	32	17
EMN-1610-MSUS-L	M16x1,5	10L	10	6	33	19
EMN-1812-MSUS-L	M18x1,5	12L	12	8	33	22
EMN-2215-MSUS-L	M22x1,5	15L	15	10	38	27
EMN-2618-MSUS-L	M26x1,5	18L	18	13	36	32
EMN-3022-MSUS-L	M30x2	22L	22	17	42	36
EMN-3628-MSUS-L	M36x2	28L	28	22	46	41
EMN-4535-MSUS-L	M45x2	35L	35	28	48	50
EMN-5242-MSUS-L	M52x2	42L	42	34	52	60

**S TYPE**

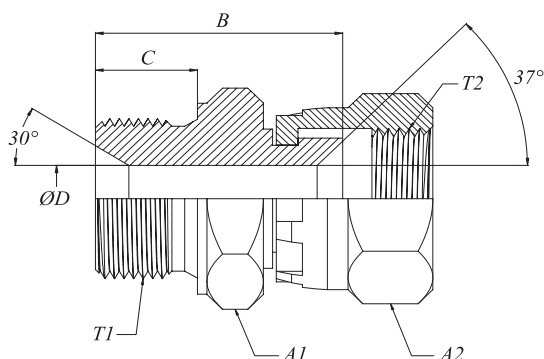
EMN-1406-MSUS-S	M14x1,5	6S	6	3	32	17
EMN-1608-MSUS-S	M16x1,5	8S	8	4	33	19
EMN-1810-MSUS-S	M18x1,5	10S	10	6	33	22
EMN-2012-MSUS-S	M20x1,5	12S	12	8	36	24
EMN-2416-MSUS-S	M24x1,5	16S	16	11	39	30
EMN-3020-MSUS-S	M30x2	20S	20	14	44	36
EMN-3625-MSUS-S	M36x2	25S	25	18	46	46
EMN-4230-MSUS-S	M42x2	30S	30	23	52	50
EMN-5238-MSUS-S	M52x2	38S	38	30	52	60

## BSP STRAIGHT SWIVEL CONNECTOR



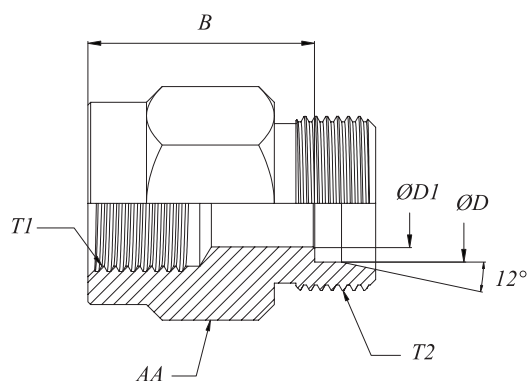
MATERIAL CODE	THREAD SIZE T1	THREAD SIZE T2	B	C	ØD	A1	A2
EMN-1010-RSSC	R1/8-28	R1/8-28	23.5	9	4	14	14
EMN-1313-RSSC	R1/4-19	R1/4-19	30	11	5.5	19	17
EMN-1717-RSSC	R3/8-19	R3/8-19	33.5	12	8	22	22
EMN-2121-RSSC	R1/2-14	R1/2-14	39.5	14	10	27	27
EMN-2626-RSSC	R3/4-14	R3/4-14	45	16	15	32	32
EMN-3333-RSSC	R1"-11	R1"-11	53	18.5	20	41	41
EMN-4242-RSSC	R1"1/4-11	R1"1/4-11	58.5	22	26	50	50
EMN-4848-RSSC	R1"1/2-11	R1"1/2-11	62.5	22	30	55	55
EMN-6060-RSSC	R2"-11	R2"-11	69	25	43.5	70	70

## BSP METAL SEALING - UNF FEMALE SWIWEL CONNECTOR



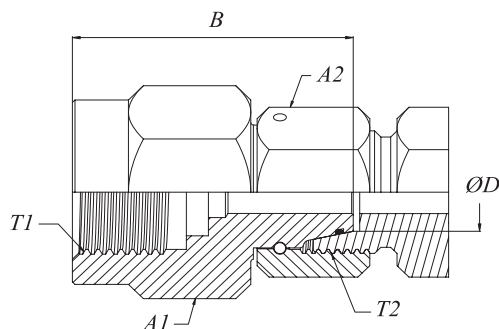
MATERIAL CODE	THREAD SIZE T1	THREAD SIZE T2	B	C	ØD	A1	A2
EMN-1011-RMS	R1/8-28	7/16-20	22.5	9	4	14	16
EMN-1311-RMS	R1/4-19	7/16-20	27	11	4.5	19	16
EMN-1312-RMS	R1/4-19	1/2-20	28.5	11	5.5	19	17
EMN-1314-RMS	R1/4-19	9/16-18	29	11	6	19	19
EMN-1714-RMS	R3/8-19	9/16-18	30.5	12	6	22	19
EMN-1716-RMS	R3/8-19	5/8-18	30.5	12	7	22	21
EMN-1719-RMS	R3/8-19	3/4-16	33.5	12	9	22	24
EMN-2114-RMS	R1/2-14	9/16-18	34	14	6	27	19
EMN-2116-RMS	R1/2-14	5/8-18	34	14	7	27	21
EMN-2119-RMS	R1/2-14	3/4-16	37	14	9	27	24
EMN-2122-RMS	R1/2-14	7/8-14	37.5	14	12	27	27
EMN-2622-RMS	R3/4-14	7/8-14	40.5	16	12	32	27
EMN-2627-RMS	R3/4-14	1"1/16-12	42.5	16	15	32	32
EMN-3327-RMS	R1"-11	1"1/16-12	46.5	18.5	15	41	32
EMN-3333-RMS	R1"-11	1"5/16-12	49	18.5	20	41	41

## BSP FEMALE - METRIC MALE PRESSURE GAUGE CONNECTOR



MATERIAL CODE	THREAD SIZE T1	THREAD SIZE T2	B	ØD	ØD1	AA	
<b>L TYPE</b>							
EMN-1306-RFMM-L	R1/4-19	M12x1,5	6L	21.5	6	4	19
EMN-1308-RFMM-L	R1/4-19	M14x1,5	8L	21.5	8	5	19
EMN-1310-RFMM-L	R1/4-19	M16x1,5	10L	22.5	10	8	19
EMN-1312-RFMM-L	R1/4-19	M18x1,5	12L	22.5	12	10	19
EMN-2106-RFMM-L	R1/2-14	M12x1,5	6L	29	6	4	27
EMN-2108-RFMM-L	R1/2-14	M14x1,5	8L	39	8	6	27
EMN-2110-RFMM-L	R1/2-14	M16x1,5	10L	30	10	8	27
EMN-2112-RFMM-L	R1/2-14	M18x1,5	12L	30	12	10	27
<b>S TYPE</b>							
EMN-1306-RFMM-S	R1/4-19	M14x1,5	6S	23	6	4	19
EMN-1308-RFMM-S	R1/4-19	M16x1,5	8S	23	8	5	19
EMN-1310-RFMM-S	R1/4-19	M18x1,5	10S	23	10	7	19
EMN-1312-RFMM-S	R1/4-19	M20x1,5	12S	23	12	8	22
EMN-2106-RFMM-S	R1/2-14	M14x1,5	6S	31	6	4	27
EMN-2108-RFMM-S	R1/2-14	M16x1,5	8S	31	8	5	27
EMN-2110-RFMM-S	R1/2-14	M18x1,5	10S	30.5	10	7	27

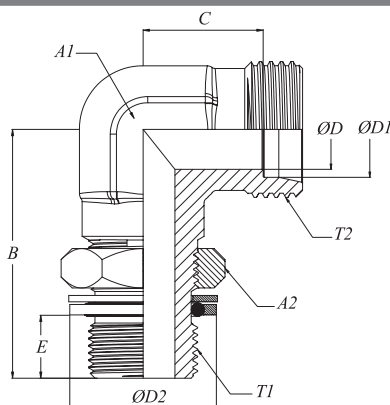
## BSP FEMALE - METRIC SWIVEL PRESSURE GAUGE CONNECTOR



MATERIAL CODE	THREAD SIZE T1	THREAD SIZE T2		B	ØD	A1	A2
<b>L TYPE</b>							
EMN-1306-RFMS-L	R1/4-19	M12x1,5	6L	32.5	6	19	17
EMN-1308-RFMS-L	R1/4-19	M14x1,5	8L	33	8	19	17
EMN-1310-RFMS-L	R1/4-19	M16x1,5	10L	33.5	10	19	19
EMN-1312-RFMS-L	R1/4-19	M18x1,5	12L	34.5	12	19	22
EMN-2106-RFMS-L	R1/2-14	M12x1,5	6L	41.5	6	27	17
EMN-2108-RFMS-L	R1/2-14	M14x1,5	8L	42	8	27	17
EMN-2110-RFMS-L	R1/2-14	M16x1,5	10L	42.5	10	27	19
EMN-2112-RFMS-L	R1/2-14	M18x1,5	12L	43.5	12	27	22
<b>S TYPE</b>							
EMN-1306-RFMS-S	R1/4-19	M14x1,5	6S	33	6	19	17
EMN-1308-RFMS-S	R1/4-19	M16x1,5	8S	33.5	8	19	19
EMN-1310-RFMS-S	R1/4-19	M18x1,5	10S	34.5	10	19	22
EMN-1312-RFMS-S	R1/4-19	M20x1,5	12S	35.5	12	19	24
EMN-2106-RFMS-S	R1/2-14	M14x1,5	6S	42	6	27	17
EMN-2108-RFMS-S	R1/2-14	M16x1,5	8S	42.5	8	27	19
EMN-2110-RFMS-S	R1/2-14	M18x1,5	10S	43.5	10	27	22

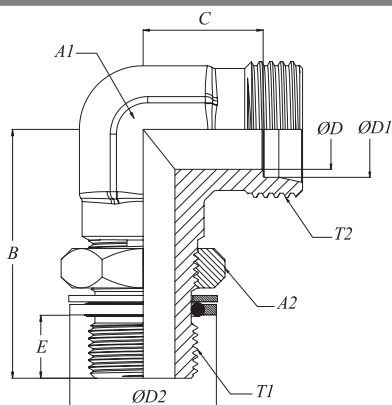


## METRIC 24° CONE - ADJUSTABLE BSP THREAD - O-RING + RETAINING RING



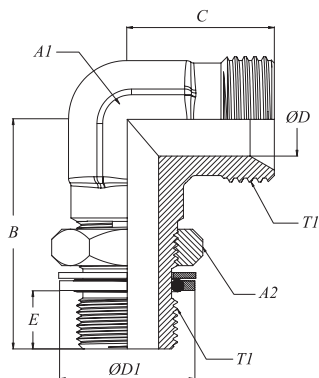
MATERIAL CODE	THREAD SIZE T1	THREAD SIZE T2	B	E	C	ØD	ØD	ØD	A1	A2	
<b>L TYPE</b>											
EMN-1006-MCAT-L	R1/8-28	M12x1,5	6L	26	7	12	4	6	15	12	14
EMN-1306-MCAT-L	R1/4-19	M12x1,5	6L	34	10	14	4	6	20	15	19
EMN-1308-MCAT-L	R1/4-19	M14x1,5	8L	34	10	16	6	8	20	15	19
EMN-1310-MCAT-L	R1/4-19	M16x1,5	10L	34	10	17	8	10	20	15	19
EMN-1312-MCAT-L	R1/4-19	M18x1,5	12L	35	10	19	10	12	20	19	19
EMN-1710-MCAT-L	R3/8-19	M16x1,5	10L	37	12	17	8	10	23	19	22
EMN-1712-MCAT-L	R3/8-19	M18x1,5	12L	37	12	19	10	12	23	19	22
EMN-2112-MCAT-L	R1/2-14	M18x1,5	12L	49	12.5	21	10	12	28	24	27
EMN-2115-MCAT-L	R1/2-14	M22x1,5	15L	49	12.5	21	12	15	28	24	27
EMN-2118-MCAT-L	R1/2-14	M26x1,5	18L	49	12.5	23.5	15	18	28	24	27
EMN-2618-MCAT-L	R3/4-14	M26x1,5	18L	49	14	23.5	15	18	33	30	32
EMN-2622-MCAT-L	R3/4-14	M30x2	22L	49	14	27.5	19	22	33	30	32
EMN-3322-MCAT-L	R1"-11	M30x2	22L	58	16	30.5	19	22	41	36	41
EMN-3328-MCAT-L	R1"-11	M36x2	28L	58	16	30.5	24	28	41	36	41
EMN-4235-MCAT-L	R1"1/4-11	M45x2	35L	64	17	37.5	30	35	51	42	50
EMN-4242-MCAT-L	R1"1/4-11	M52x2	42L	70	17	38	36	42	51	50	50
EMN-4842-MCAT-L	R1"1/2-11	M52x2	42L	70	17	38	36	42	56	50	55

## METRIC 24° CONE - ADJUSTABLE BSP THEREAD - O-RING + RETAINING RING



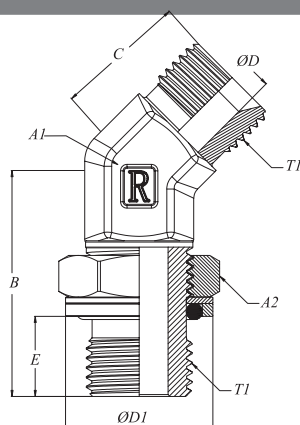
MATERIAL CODE	THREAD SIZE T1	THREAD SIZE T2	B	E	C	ØD	ØD	ØD	A1	A2	
<b>S TYPE</b>											
EMN-1710-MCAT-S	R3/8-19	M18x1,5	10S	37	12	18	10	10	23	19	22
EMN-1712-MCAT-S	R3/8-19	M20x1,5	12S	37	12	21.5	8	12	23	19	22
EMN-2112-MCAT-S	R1/2-14	M20x1,5	12S	49	12.5	21.5	8	12	28	24	27
EMN-2116-MCAT-S	R1/2-14	M24x1,5	16S	49	12.5	24.5	12	16	28	24	27
EMN-2120-MCAT-S	R1/2-14	M30x2	20S	49	12.5	27.5	16	20	28	30	27
EMN-2616-MCAT-S	R3/4-14	M24x1,5	16S	49	14	24.5	12	16	33	30	32
EMN-2620-MCAT-S	R3/4-14	M30x2	20S	49	14	27.5	16	20	33	30	32
EMN-2625-MCAT-S	R3/4-14	M36x2	25S	58	14	30	20	25	33	36	32
EMN-3320-MCAT-S	R1"-11	M30x2	20S	58	16	27.5	16	20	41	36	41
EMN-3325-MCAT-S	R1"-11	M36x2	25S	58	16	30	20	25	41	36	41
EMN-3330-MCAT-S	R1"-11	M42x2	30S	62	16	35.5	25	30	41	42	41
EMN-4230-MCAT-S	R1"1/4-11	M42x2	30S	64	17	35.5	25	30	51	42	50
EMN-4238-MCAT-S	R1"1/4-11	M52x2	38S	70	17	33.5	32	38	51	50	50
EMN-4838-MCAT-S	R1"1/2-11	M52x2	38S	70	17	33.5	32	38	56	50	55

BSP THREAD - ADJUSTABLE BSP THREAD - O-RING + RETAINING RING



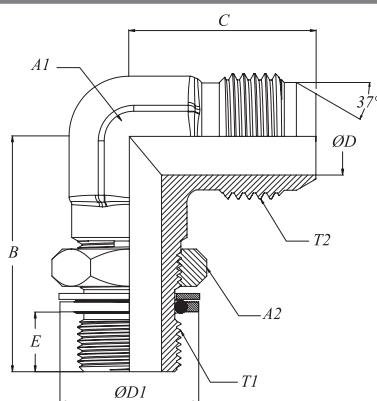
MATERIAL CODE	THREAD SIZE T1	THREAD SIZE T2	B	E	C	ØD	ØD1	A1	A2
EMN-1010-RTAT	R1/8-28	R1/8-28	26	7	19	4	15	12	14
EMN-1313-RTAT	R1/4-19	R1/4-19	34	10	24	6	20	15	19
EMN-1717-RTAT	R3/8-19	R3/8-19	37	12	27	9	23	19	22
EMN-2121-RTAT	R1/2-14	R1/2-14	49	12.5	31	12	28	24	27
EMN-2626-RTAT	R3/4-14	R3/4-14	49	14	36	16	33	30	32
EMN-3333-RTAT	R1"-11	R1"-11	58	16	42.5	20	41	36	41
EMN-4242-RTAT	R1"1/4-11	R1"1/4-11	64	17	49	26	51	42	50
EMN-4848-RTAT	R1"1/2-11	R1"1/2-11	70	17	50	32	56	50	55

## BSP THREAD - ADJUSTABLE BSP THREAD - O-RING + RETAINING RING 45°



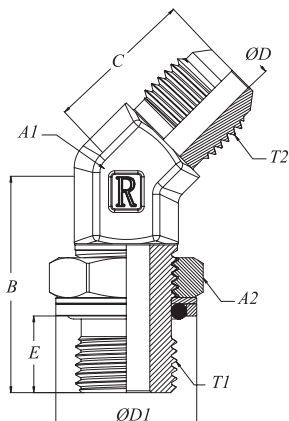
MATERIAL CODE	THREAD SIZE T1	THREAD SIZE T2	B	E	C	ØD	ØD1	A1	A2
EMN-1010-RTAT45	R1/8-28	R1/8-28	26	7	16	4	15	12	14
EMN-1313-RTAT45	R1/4-19	R1/4-19	30	10	21	6	20	14	19
EMN-1717-RTAT45	R3/8-19	R3/8-19	34	12	24	9	23	19	22
EMN-2121-RTAT45	R1/2-14	R1/2-14	41	12.5	27	12	28	22	27
EMN-2626-RTAT45	R3/4-14	R3/4-14	44	14	32	16	33	27	32
EMN-3333-RTAT45	R1"-11	R1"-11	48	16	35	20	41	36	41
EMN-4242-RTAT45	R1"1/4-11	R1"1/4-11	49	17	37	26	51	45	50
EMN-4848-RTAT45	R1"1/2-11	R1"1/2-11	56	17	46	32	56	50	55

## UNF 37° FLARE - ADJUSTABLE BSP THREAD - O-RING + RETAINING RING



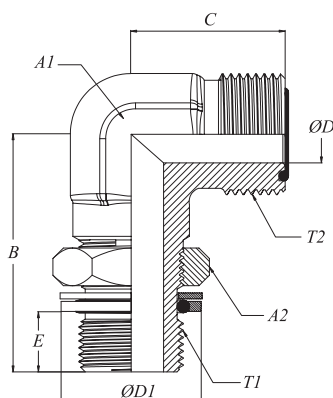
MATERIAL CODE	THREAD SIZE T1	THREAD SIZE T2	B	E	C	ØD	ØD1	A1	A2
EMN-1011-RFAT	R1/8-28	7/16-20	26.5	7	21.5	4.5	15	12	14
EMN-1311-RFAT	R1/4-19	7/16-20	34	10	25	4.5	20	15	19
EMN-1312-RFAT	R1/4-19	1/2-20	34	10	25	6	20	15	19
EMN-1314-RFAT	R1/4-19	9/16-18	34	10	24.5	7.5	20	15	19
EMN-1714-RFAT	R3/8-19	9/16-18	37	12	30	7.5	23	19	22
EMN-1716-RFAT	R3/8-19	5/8-18	37	12	29	8	23	19	22
EMN-1719-RFAT	R3/8-19	3/4-16	37	12	29	10	23	19	22
EMN-2114-RFAT	R1/2-14	9/16-18	49	12.5	34	7.5	28	24	27
EMN-2116-RFAT	R1/2-14	5/8-18	49	12.5	34	8	28	24	27
EMN-2119-RFAT	R1/2-14	3/4-16	49	12.5	34	10	28	24	27
EMN-2122-RFAT	R1/2-14	7/8-14	49	12.5	33	12.5	28	24	27
EMN-2127-RFAT	R1/2-14	1"1/16-12	50	12.5	38	15.5	28	30	27
EMN-2622-RFAT	R3/4-14	7/8-14	49	14	38.5	12.5	33	30	32
EMN-2627-RFAT	R3/4-14	1"1/16-12	49	14	38.5	15.5	33	30	32
EMN-3327-RFAT	R1"-11	1"1/16-12	58	16	42	15.5	41	36	41
EMN-3333-RFAT	R1"-11	1"5/16-12	58	16	42.5	21.5	41	36	41

## UNF 37° FLARE - ADJUSTABLE BSP THREAD - O-RING + RETAINING RING



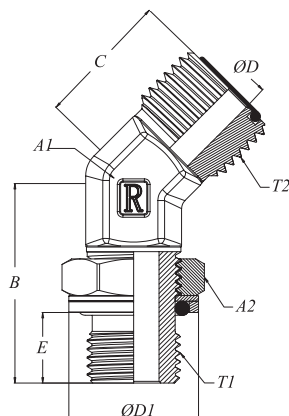
MATERIAL CODE	THREAD SIZE T1	THREAD SIZE T2	B	E	C	ØD	ØD1	A1	A2
EMN-1011-RFAT45	R1/8-28	7/16-20	26.5	7	18.5	4.5	15	12	14
EMN-1311-RFAT45	R1/4-19	7/16-20	26.5	10	20	4.5	20	14	19
EMN-1312-RFAT45	R1/4-19	1/2-20	26.5	10	20	6	20	14	19
EMN-1314-RFAT45	R1/4-19	9/16-18	29	10	21	7.5	20	14	19
EMN-1714-RFAT45	R3/8-19	9/16-18	33	12	22	7.5	23	19	22
EMN-1716-RFAT45	R3/8-19	5/8-18	33	12	24	8	23	19	22
EMN-1719-RFAT45	R3/8-19	3/4-16	33	12	25	10	23	19	22
EMN-2114-RFAT45	R1/2-14	9/16-18	39	12.5	22.5	7.5	28	22	27
EMN-2116-RFAT45	R1/2-14	5/8-18	39	12.5	24	8	28	22	27
EMN-2119-RFAT45	R1/2-14	3/4-16	39	12.5	25	10	28	22	27
EMN-2122-RFAT45	R1/2-14	7/8-14	39	12.5	28	12.5	28	22	27
EMN-2127-RFAT45	R1/2-14	1"1/16-12	42	12.5	32	15.5	28	27	27
EMN-2622-RFAT45	R3/4-14	7/8-14	44	14	29	12.5	33	27	32
EMN-2627-RFAT45	R3/4-14	1"1/16-12	44	14	32	15.5	33	27	32
EMN-3327-RFAT45	R1"-11	1"1/16-12	47	16	33.5	15.5	41	36	41
EMN-3333-RFAT45	R1"-11	1"5/16-12	47	16	37	21.5	41	36	41

## ORFS TUBE END - ADJUSTABLE BSP THREAD - O-RING + RETAINING RING



MATERIAL CODE	THREAD SIZE T1	THREAD SIZE T2	B	E	C	ØD	ØD1	A1	A2
EMN-1314-OTRT	R1/4-19	9/16-18	34	10	24	5	20	15	19
EMN-1317-OTRT	R1/4-19	11/16-16	34	10	24	6	20	15	19
EMN-1321-OTRT	R1/4-19	13/16-16	35	10	29	9	20	19	19
EMN-1714-OTRT	R3/8-19	9/16-18	37	12	29	5	23	19	22
EMN-1717-OTRT	R3/8-19	11/16-16	37	12	27	6	23	19	22
EMN-1721-OTRT	R3/8-19	13/16-16	37	12	28	9	23	19	22
EMN-2117-OTRT	R1/2-14	11/16-16	49	12.5	33	6	28	24	27
EMN-2121-OTRT	R1/2-14	13/16-16	49	12.5	33	9	28	24	27
EMN-2125-OTRT	R1/2-14	1"-14	49	12.5	33	12	28	24	27
EMN-2625-OTRT	R3/4-14	1"-14	49	14	36	12	33	30	32
EMN-2630-OTRT	R3/4-14	1"3/16-12	49	14	37	15	33	30	32
EMN-2637-OTRT	R3/4-14	1"7/16-12	55	14	42	19	33	36	32
EMN-3330-OTRT	R1"-11	1"3/16-12	58	16	42	15	41	36	41
EMN-3337-OTRT	R1"-11	1"7/16-12	58	16	42	19	41	36	41

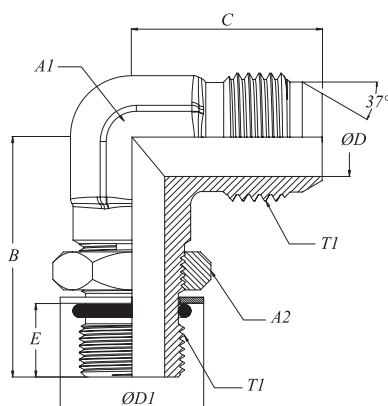
## BSP - ORFS 45° ADJUSTABLE STUD ELBOW



MATERIAL CODE	THREAD SIZE T1	THREAD SIZE T2	B	E	C	ØD	ØD1	A1	A2
EMN-1314-OTRT45	R1/4-19	9/16-18	33	10	21	5	20	19	19
EMN-1317-OTRT45	R1/4-19	11/16-16	33	10	22	6	20	19	19
EMN-1321-OTRT45	R1/4-19	13/16-16	33	10	24	9	20	19	19
EMN-1714-OTRT45	R3/8-19	9/16-18	34	12	21	5	23	19	22
EMN-1717-OTRT45	R3/8-19	11/16-16	34	12	22	6	23	19	22
EMN-1721-OTRT45	R3/8-19	13/16-16	34	12	24	9	23	19	22
EMN-2117-OTRT45	R1/2-14	11/16-16	43	12.5	22	6	28	27	27
EMN-2121-OTRT45	R1/2-14	13/16-16	43	12.5	24	9	28	27	27
EMN-2125-OTRT45	R1/2-14	1"-14	43	12.5	24	12	28	27	27
EMN-2625-OTRT45	R3/4-14	1"-14	46	14	24	12	33	27	32
EMN-2630-OTRT45	R3/4-14	1"3/16-12	46	14	26	15	33	30	32
EMN-2637-OTRT45	R3/4-14	1"7/16-12	50	14	30	19	33	36	32
EMN-3330-OTRT45	R1"-11	1"3/16-12	51	16	30	15	41	36	41
EMN-3337-OTRT45	R1"-11	1"7/16-12	51	16	30	19	41	36	41

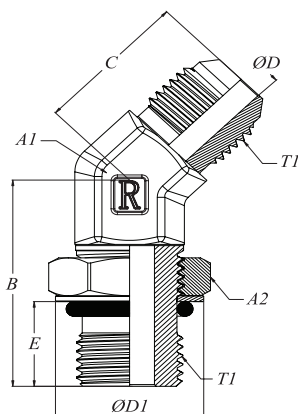


## UNF - UNF 90° ADJUSTABLE STUD ELBOW



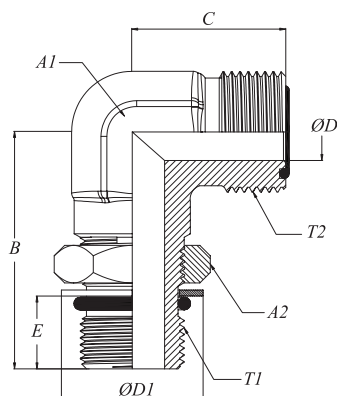
MATERIAL CODE	THREAD SIZE T1	THREAD SIZE T2	B	E	C	ØD	ØD1	A1	A2
EMN-1111-WFAT	7/16-20	7/16-20	26.5	11	21.5	4.5	15	12	14
EMN-1212-WFAT	1/2-20	1/2-20	33.5	12	24.5	6	18	15	17
EMN-1414-WFAT	9/16-18	9/16-18	33.5	12	24.5	7.5	20	15	19
EMN-1616-WFAT	5/8-18	5/8-18	37	14	29.5	8	22	19	21
EMN-1919-WFAT	3/4-16	3/4-16	37	14	29	10	25	19	24
EMN-2222-WFAT	7/8-14	7/8-14	49	14.5	34	12.5	28	24	27
EMN-2727-WFAT	1"1/16-12	1"1/16-12	49	16	38	15.5	33	30	32
EMN-3333-WFAT	1"5/16-12	1"5/16-12	58	18	42	21.5	41	36	41

## UNF - UNF 45° ADJUSTABLE STUD ELBOW



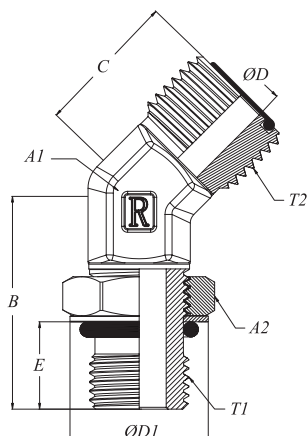
MATERIAL CODE	THREAD SIZE T1	THREAD SIZE T2	B	E	C	ØD	ØD1	A1	A2
EMN-1111-WFAT45	7/16-20	7/16-20	26.5	11	18.5	4.5	15	12	14
EMN-1212-WFAT45	1/2-20	1/2-20	26.5	12	19.5	6	18	14	17
EMN-1414-WFAT45	9/16-18	9/16-18	29	12	21	7.5	20	14	19
EMN-1616-WFAT45	5/8-18	5/8-18	33	14	24	8	22	19	21
EMN-1919-WFAT45	3/4-16	3/4-16	33	14	25	10	25	19	24
EMN-2222-WFAT45	7/8-14	7/8-14	38.5	14.5	28	12.5	28	22	27
EMN-2727-WFAT45	1"1/16-12	1"1/16-12	44	16	32.5	15.5	33	27	32
EMN-3333-WFAT45	1"5/16-12	1"5/16-12	47	18	37.5	21.5	41	36	41

## UNF - ORFS 90° ADJUSTABLE STUD ELBOW



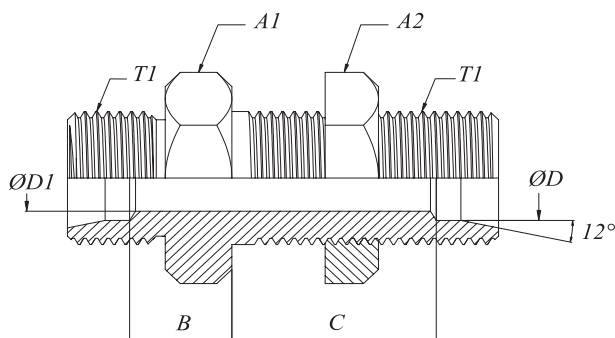
MATERIAL CODE	THREAD SIZE T1	THREAD SIZE T2	B	E	C	ØD	ØD1	A1	A2
EMN-1414-OTAT	9/16-18	9/16-18	34	12	24	5	20	15	19
EMN-1417-OTAT	9/16-18	11/16-16	34	12	24	6	20	15	19
EMN-1421-OTAT	9/16-18	13/16-16	37	12	28	9	20	19	19
EMN-1917-OTAT	3/4-16	11/16-16	37	14	27	6	25	19	24
EMN-1921-OTAT	3/4-16	13/16-16	37	14	29	9	25	19	24
EMN-1925-OTAT	3/4-16	1"-14	49	14	33	12	25	24	24
EMN-2217-OTAT	7/8-14	11/16-16	49	14.5	33	6	28	24	27
EMN-2221-OTAT	7/8-14	13/16-16	49	14.5	33	9	28	24	27
EMN-2225-OTAT	7/8-14	1"-14	49	14.5	33	12	28	24	27
EMN-2725-OTAT	1"1/16-12	1"-14	49	16	36	12	33	30	32
EMN-2730-OTAT	1"1/16-12	1"3/16-12	49	16	38	15	33	30	32
EMN-2737-OTAT	1"1/16-12	1"7/16-12	58.5	16	47	19	33	36	32
EMN-3330-OTAT	1"5/16-12	1"3/16-12	58	18	42	15	41	36	41
EMN-3337-OTAT	1"5/16-12	1"7/16-12	58	18	42	19	41	36	41

## ORFS TUBE END - ADJUSTABLE UNF THREAD WITH O-RING



MATERIAL CODE	THREAD SIZE T1	THREAD SIZE T2	B	E	C	ØD	ØD1	A1	A2
EMN-1414-OTAT45	9/16-18	9/16-18	33	12	21	5	20	19	19
EMN-1417-OTAT45	9/16-18	11/16-16	33	12	22	6	20	19	19
EMN-1421-OTAT45	9/16-18	13/16-16	33	12	24	9	20	19	19
EMN-1917-OTAT45	3/4-16	11/16-16	34	14	22	6	25	19	24
EMN-1921-OTAT45	3/4-16	13/16-16	34	14	24	9	25	19	24
EMN-1925-OTAT45	3/4-16	1"-14	44	14	24	12	25	27	24
EMN-2217-OTAT45	7/8-14	11/16-16	44	14.5	22	6	28	27	27
EMN-2221-OTAT45	7/8-14	13/16-16	44	14.5	24	9	28	27	27
EMN-2225-OTAT45	7/8-14	1"-14	44	14.5	24	12	28	27	27
EMN-2725-OTAT45	1"1/16-12	1"-14	44	16	24	12	33	27	32
EMN-2730-OTAT45	1"1/16-12	1"3/16-12	50	16	26	15	33	30	32
EMN-2737-OTAT45	1"1/16-12	1"7/16-12	52	16	30	19	33	36	32
EMN-3330-OTAT45	1"5/16-12	1"3/16-12	52	18	26	15	41	36	41
EMN-3337-OTAT45	1"5/16-12	1"7/16-12	52	18	30	19	41	36	41

## METRIC BULKHEAD UNION CONNECTOR



MATERIAL CODE	THREAD SIZE T1	THREAD SIZE T2	B	C	ØD	ØD1	A1	A2
---------------	-------------------	-------------------	---	---	----	-----	----	----

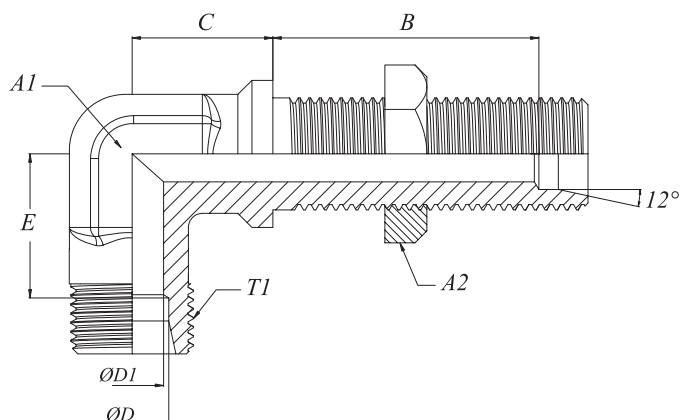
## L TYPE

EMN-0606-MBUC-L	M12x1,5	6L	M12x1,5	6L	7	27	6	4	17	17
EMN-0808-MBUC-L	M14x1,5	8L	M14x1,5	8L	8	27	8	6	19	19
EMN-1010-MBUC-L	M16x1,5	10L	M16x1,5	10L	10	28	10	8	22	22
EMN-1212-MBUC-L	M18x1,5	12L	M18x1,5	12L	10	29	12	10	24	24
EMN-1515-MBUC-L	M22x1,5	15L	M22x1,5	15L	12	31	15	12	27	30
EMN-1818-MBUC-L	M26x1,5	18L	M26x1,5	18L	13.5	32.5	18	15	32	36
EMN-2222-MBUC-L	M30x2	22L	M30x2	22L	16.5	34.5	22	19	36	41
EMN-2828-MBUC-L	M36x2	28L	M36x2	28L	18.5	35.5	28	24	41	46
EMN-3535-MBUC-L	M45x2	35L	M45x2	35L	18.5	36.5	35	30	50	55
EMN-4242-MBUC-L	M52x2	42L	M52x2	42L	19	36	42	36	60	65

## S TYPE

EMN-0606-MBUC-S	M14x1,5	6S	M14x1,5	6S	12	29	6	4	19	19
EMN-0808-MBUC-S	M16x1,5	8S	M16x1,5	8S	13	29	8	5	22	22
EMN-1010-MBUC-S	M18x1,5	10S	M18x1,5	10S	14.5	29.5	10	7	24	24
EMN-1212-MBUC-S	M20x1,5	12S	M20x1,5	12S	14.5	30.5	12	8	27	27
EMN-1616-MBUC-S	M24x1,5	16S	M24x1,5	16S	16.5	31.5	16	12	32	32
EMN-2020-MBUC-S	M30x2	20S	M30x2	20S	17.5	33.5	20	16	41	41
EMN-2525-MBUC-S	M36x2	25S	M36x2	25S	20	34.5	25	20	46	46
EMN-3030-MBUC-S	M42x2	30S	M42x2	30S	21.5	37.5	30	25	50	50
EMN-3838-MBUC-S	M52x2	38S	M52x2	38S	22	37	38	32	65	65

## METRIC BULKHEAD ELBOW



MATERIAL CODE	THREAD SIZE T1	THREAD SIZE T2	B	C	ØD	ØD1	A1	A2	A2
---------------	-------------------	-------------------	---	---	----	-----	----	----	----

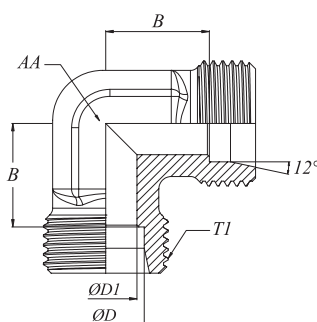
**L TYPE**

EMN-0606-MBEC-L	M12x1,5	6L	M12x1,5	6L	27	14	12	6	4	12	17
EMN-0808-MBEC-L	M14x1,5	8L	M14x1,5	8L	27	17	14	8	6	12	19
EMN-1010-MBEC-L	M16x1,5	10L	M16x1,5	10L	28	18	15	10	8	14	22
EMN-1212-MBEC-L	M18x1,5	12L	M18x1,5	12L	29	20	17	12	10	17	24
EMN-1515-MBEC-L	M22x1,5	15L	M22x1,5	15L	31	23	21	15	12	19	30
EMN-1818-MBEC-L	M26x1,5	18L	M26x1,5	18L	32.5	24	23.5	18	15	24	36
EMN-2222-MBEC-L	M30x2	22L	M30x2	22L	34.5	30	27.5	22	19	30	41
EMN-2828-MBEC-L	M36x2	28L	M36x2	28L	35.5	34	30.5	28	24	36	46

**S TYPE**

EMN-0606-MBEC-S	M14x1,5	6S	M14x1,5	6S	29	17	16	6	4	12	19
EMN-0808-MBEC-S	M16x1,5	8S	M16x1,5	8S	29	18	17	8	5	14	22
EMN-1010-MBEC-S	M18x1,5	10S	M18x1,5	10S	29.5	20	17.5	10	7	17	24
EMN-1212-MBEC-S	M20x1,5	12S	M20x1,5	12S	30.5	21	21.5	12	8	17	27
EMN-1616-MBEC-S	M24x1,5	16S	M24x1,5	16S	31.5	24	24.5	16	12	24	32
EMN-2020-MBEC-S	M30x2	20S	M30x2	20S	33.5	30	26.5	20	16	30	41
EMN-2525-MBEC-S	M36x2	25S	M36x2	25S	35	34	30	25	20	36	46

## METRIC ELBOW



MATERIAL CODE	THREAD SIZE T1	TUBE OD ØD	B	ØD1	AA
---------------	-------------------	---------------	---	-----	----

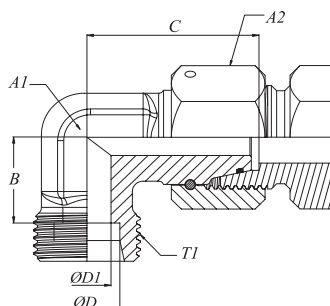
## L TYPE

EMN-0606-ME-L	M12x1,5	6L	6	12	4	12
EMN-0808-ME-L	M14x1,5	8L	8	14	6	12
EMN-1010-ME-L	M16x1,5	10L	10	15	8	14
EMN-1212-ME-L	M18x1,5	12L	12	17	10	17
EMN-1515-ME-L	M22x1,5	15L	15	21	12	19
EMN-1818-ME-L	M26x1,5	18L	18	23.5	15	24
EMN-2222-ME-L	M30x2	22L	22	27.5	19	27
EMN-2828-ME-L	M36x2	28L	28	30.5	24	36
EMN-3535-ME-L	M45x2	35L	35	34.5	30	41
EMN-4242-ME-L	M52x2	42L	42	40	36	50

## S TYPE

EMN-0606-ME-S	M14x1,5	6S	6	16	4	12
EMN-0808-ME-S	M16x1,5	8S	8	15.5	5	14
EMN-1010-ME-S	M18x1,5	10S	10	17.5	7	17
EMN-1212-ME-S	M20x1,5	12S	12	21.5	8	17
EMN-1616-ME-S	M24x1,5	16S	16	24.5	12	24
EMN-2020-ME-S	M30x2	20S	20	26.5	16	27
EMN-2525-ME-S	M36x2	25S	25	30	20	36
EMN-3030-ME-S	M42x2	30S	30	35.5	25	41
EMN-3838-ME-S	M52x2	38S	38	41	32	50

## METRIC SWIVEL ELBOW



MATERIAL CODE	THREAD SIZE T1	TUBE OD ØD	B	C	ØD1	A1	A2
---------------	-------------------	---------------	---	---	-----	----	----

**L TYPE**

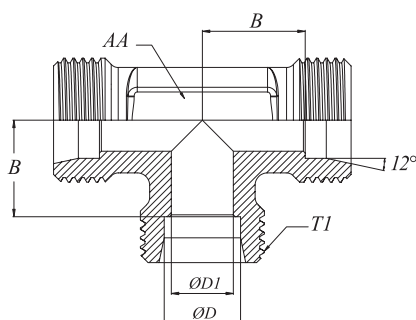
EMN-0606-MSE-L	M12x1,5	6L	6	12	26	4	12	14
EMN-0808-MSE-L	M14x1,5	8L	8	14	27.5	6	12	17
EMN-1010-MSE-L	M16x1,5	10L	10	15	29	8	14	19
EMN-1212-MSE-L	M18x1,5	12L	12	17	29.5	10	17	22
EMN-1515-MSE-L	M22x1,5	15L	15	21	32.5	12	19	27
EMN-1818-MSE-L	M26x1,5	18L	18	23.5	35.5	15	24	32
EMN-2222-MSE-L	M30x2	22L	22	27.5	38.5	19	27	36
EMN-2828-MSE-L	M36x2	28L	28	30.5	41.5	24	36	41
EMN-3535-MSE-L	M45x2	35L	35	34.5	51	30	41	50
EMN-4242-MSE-L	M52x2	42L	42	40	56	36	50	60

**S TYPE**

EMN-0606-MSE-S	M14x1,5	6S	6	16	27	4	12	17
EMN-0808-MSE-S	M16x1,5	8S	8	15.5	27.5	5	14	19
EMN-1010-MSE-S	M18x1,5	10S	10	17.5	30	7	17	22
EMN-1212-MSE-S	M20x1,5	12S	12	21.5	31	8	17	24
EMN-1616-MSE-S	M24x1,5	16S	16	24.5	36.5	12	24	30
EMN-2020-MSE-S	M30x2	20S	20	26.5	44.5	16	27	36
EMN-2525-MSE-S	M36x2	25S	25	30	50	20	36	46
EMN-3030-MSE-S	M42x2	30S	30	35.5	55	25	41	50
EMN-3838-MSE-S	M52x2	38S	38	41	63	32	50	60



## METRIC TEE



MATERIAL CODE	THREAD SIZE T1	TUBE OD ØD	B	ØD1	AA
---------------	-------------------	---------------	---	-----	----

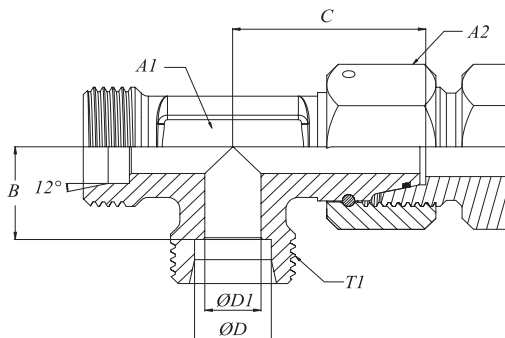
## L TYPE

EMN-0606-MTT-L	M12x1,5	6L	6	12	4	12
EMN-0808-MTT-L	M14x1,5	8L	8	14	6	12
EMN-1010-MTT-L	M16x1,5	10L	10	15	8	14
EMN-1212-MTT-L	M18x1,5	12L	12	17	10	17
EMN-1515-MTT-L	M22x1,5	15L	15	21	12	19
EMN-1818-MTT-L	M26x1,5	18L	18	23.5	15	24
EMN-2222-MTT-L	M30x2	22L	22	27.5	19	27
EMN-2828-MTT-L	M36x2	28L	28	30.5	24	36
EMN-3535-MTT-L	M45x2	35L	35	34.5	30	41
EMN-4242-MTT-L	M52x2	42L	42	40	36	50

## S TYPE

EMN-0606-MTT-S	M14x1,5	6S	6	16	4	12
EMN-0808-MTT-S	M16x1,5	8S	8	15.5	5	14
EMN-1010-MTT-S	M18x1,5	10S	10	17.5	7	17
EMN-1212-MTT-S	M20x1,5	12S	12	21.5	8	17
EMN-1616-MTT-S	M24x1,5	16S	16	24.5	12	24
EMN-2020-MTT-S	M30x2	20S	20	26.5	16	27
EMN-2525-MTT-S	M36x2	25S	25	30	20	36
EMN-3030-MTT-S	M42x2	30S	30	35.5	25	41
EMN-3838-MTT-S	M52x2	38S	38	41	32	50

## METRIC SWIVEL RUN TEE



MATERIAL CODE	THREAD SIZE T1	TUBE OD ØD	B	C	ØD1	A1	A2
---------------	-------------------	---------------	---	---	-----	----	----

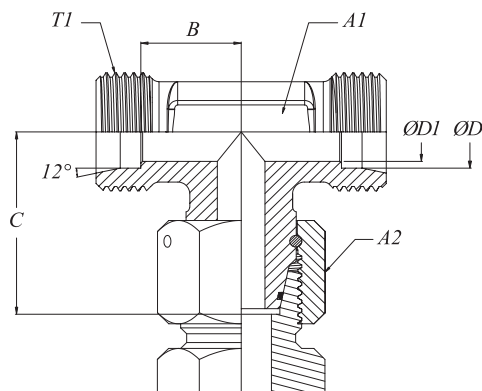
**L TYPE**

EMN-0606-MSRT-L	M12x1,5	6L	6	12	26	4	12	14
EMN-0808-MSRT-L	M14x1,5	8L	8	14	27.5	6	12	17
EMN-1010-MSRT-L	M16x1,5	10L	10	15	29	8	14	19
EMN-1212-MSRT-L	M18x1,5	12L	12	17	29.5	10	17	22
EMN-1515-MSRT-L	M22x1,5	15L	15	21	32.5	12	19	27
EMN-1818-MSRT-L	M26x1,5	18L	18	23.5	35.5	15	24	32
EMN-2222-MSRT-L	M30x2	22L	22	27.5	38.5	19	27	36
EMN-2828-MSRT-L	M36x2	28L	28	30.5	41.5	24	36	41
EMN-3535-MSRT-L	M45x2	35L	35	34.5	51	30	41	50
EMN-4242-MSRT-L	M52x2	42L	42	40	56	36	50	60

**S TYPE**

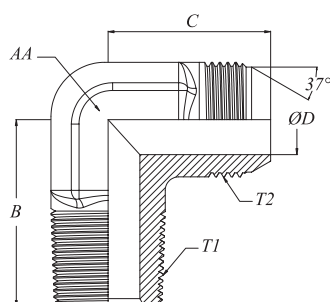
EMN-0606-MSRT-S	M14x1,5	6S	6	16	27	4	12	17
EMN-0808-MSRT-S	M16x1,5	8S	8	15.5	27.5	5	14	19
EMN-1010-MSRT-S	M18x1,5	10S	10	17.5	30	7	17	22
EMN-1212-MSRT-S	M20x1,5	12S	12	21.5	31	8	17	24
EMN-1616-MSRT-S	M24x1,5	16S	16	24.5	36.5	12	24	30
EMN-2020-MSRT-S	M30x2	20S	20	26.5	44.5	16	27	36
EMN-2525-MSRT-S	M36x2	25S	25	30	50	20	36	46
EMN-3030-MSRT-S	M42x2	30S	30	35.5	55	25	41	50
EMN-3838-MSRT-S	M52x2	38S	38	41	63	32	50	60

## METRIC SWIVEL BRANCH TEE



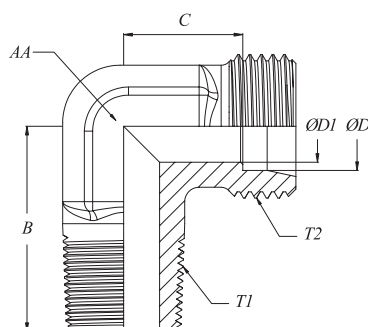
MATERIAL CODE	THREAD SIZE T1	TUBE OD ØD	B	C	ØD1	A1	A2	
<b>L TYPE</b>								
EMN-0606-MSBT-L	M12x1,5	6L	6	12	26	4	12	14
EMN-0808-MSBT-L	M14x1,5	8L	8	14	27.5	6	12	17
EMN-1010-MSBT-L	M16x1,5	10L	10	15	29	8	14	19
EMN-1212-MSBT-L	M18x1,5	12L	12	17	29.5	10	17	22
EMN-1515-MSBT-L	M22x1,5	15L	15	21	32.5	12	19	27
EMN-1818-MSBT-L	M26x1,5	18L	18	23.5	35.5	15	24	32
EMN-2222-MSBT-L	M30x2	22L	22	27.5	38.5	19	27	36
EMN-2828-MSBT-L	M36x2	28L	28	30.5	41.5	24	36	41
EMN-3535-MSBT-L	M45x2	35L	35	34.5	51	30	41	50
EMN-4242-MSBT-L	M52x2	42L	42	40	56	36	50	60
<b>S TYPE</b>								
EMN-0606-MSBT-S	M14x1,5	6S	6	16	27	4	12	17
EMN-0808-MSBT-S	M16x1,5	8S	8	15.5	27.5	5	14	19
EMN-1010-MSBT-S	M18x1,5	10S	10	17.5	30	7	17	22
EMN-1212-MSBT-S	M20x1,5	12S	12	21.5	31	8	17	24
EMN-1616-MSBT-S	M24x1,5	16S	16	24.5	36.5	12	24	30
EMN-2020-MSBT-S	M30x2	20S	20	26.5	44.5	16	27	36
EMN-2525-MSBT-S	M36x2	25S	25	30	50	20	36	46
EMN-3030-MSBT-S	M42x2	30S	30	35.5	55	25	41	50
EMN-3838-MSBT-S	M52x2	38S	38	41	63	32	50	60

## UNF 37° FLARE END - MALE BSPT THREAD ELBOWS



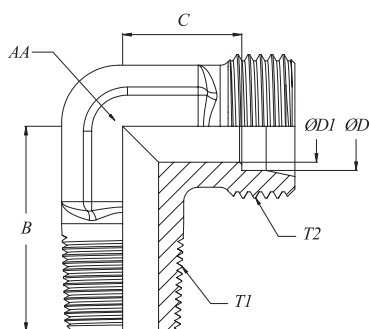
MATERIAL CODE	THREAD SIZE T1		THREAD SIZE T2		B	C	ØD	AA
EMN-1011-NFE	1/8-28	BSPT	7/16-20	UNF	20	20	4.5	12
EMN-1311-NFE	1/4-19	BSPT	7/16-20	UNF	28	23	4.5	14
EMN-1312-NFE	1/4-19	BSPT	1/2-20	UNF	28	23	6	14
EMN-1314-NFE	1/4-19	BSPT	9/16-18	UNF	29	25	7.5	17
EMN-1316-NFE	1/4-19	BSPT	5/8-18	UNF	29	25	8	17
EMN-1319-NFE	1/4-19	BSPT	3/4-16	UNF	30	30	10	17
EMN-1712-NFE	3/8-19	BSPT	1/2-20	UNF	28.5	25	6	17
EMN-1714-NFE	3/8-19	BSPT	9/16-18	UNF	28.5	25	7.5	17
EMN-1716-NFE	3/8-19	BSPT	5/8-18	UNF	28.5	25	8	17
EMN-1719-NFE	3/8-19	BSPT	3/4-16	UNF	30	30	10	17
EMN-2114-NFE	1/2-14	BSPT	9/16-18	UNF	32.5	28.5	7.5	19
EMN-2116-NFE	1/2-14	BSPT	5/8-18	UNF	32.5	28.5	8	19
EMN-2119-NFE	1/2-14	BSPT	3/4-16	UNF	32.5	28.5	10	19
EMN-2122-NFE	1/2-14	BSPT	7/8-14	UNF	34.5	33.5	12.5	24
EMN-2127-NFE	1/2-14	BSPT	1"1/16-12	UNF	40	37.5	15.5	27
EMN-2619-NFE	3/4-14	BSPT	3/4-16	UNF	42	37.5	10	27
EMN-2622-NFE	3/4-14	BSPT	7/8-14	UNF	42	37.5	12.5	27
EMN-2627-NFE	3/4-14	BSPT	1"1/16-12	UNF	42	37.5	15.5	27
EMN-3327-NFE	1"-11	BSPT	1"1/16-12	UNF	45.5	43	15.5	36
EMN-3333-NFE	1"-11	BSPT	1"5/16-12	UNF	45.5	42.5	21.5	36

## METRIC 24° CONE END - MALE BSPT THREAD ELBOWS



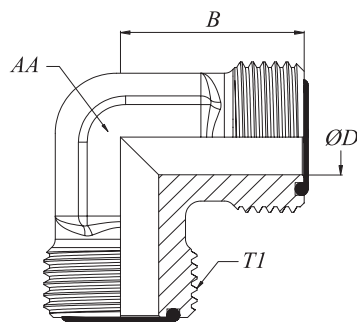
MATERIAL CODE	THREAD SIZE T1		THREAD SIZE T2		B	C	ØD	ØD1	AA
EMN-1006-MCEM-LL	1/8-28	BSPT	M10x1	6LL	19	12.5	6	4.5	12
EMN-1006-MCEM-L	1/8-28	BSPT	M12x1,5	6L	20	13	6	4	12
EMN-1008-MCEM-L	1/8-28	BSPT	M14x1,5	8L	22	14	8	6	12
EMN-1010-MCEM-L	1/8-28	BSPT	M16x1,5	10L	25.5	15	10	8	12
EMN-1306-MCEM-L	1/4-19	BSPT	M12x1,5	6L	28	14	6	4	14
EMN-1308-MCEM-L	1/4-19	BSPT	M14x1,5	8L	28	14	8	6	14
EMN-1310-MCEM-L	1/4-19	BSPT	M16x1,5	10L	28	15	10	8	14
EMN-1312-MCEM-L	1/4-19	BSPT	M18x1,5	12L	28.5	17	12	10	17
EMN-1706-MCEM-L	3/8-19	BSPT	M12x1,5	6L	28.5	14.5	6	4	17
EMN-1708-MCEM-L	3/8-19	BSPT	M14x1,5	8L	28.5	14.5	8	6	17
EMN-1710-MCEM-L	3/8-19	BSPT	M16x1,5	10L	28.5	17	10	8	17
EMN-1712-MCEM-L	3/8-19	BSPT	M18x1,5	12L	28.5	17	12	10	17
EMN-2110-MCEM-L	1/2-14	BSPT	M16x1,5	10L	32	20	10	8	19
EMN-2112-MCEM-L	1/2-14	BSPT	M18x1,5	12L	32	21	12	10	19
EMN-2115-MCEM-L	1/2-14	BSPT	M22x1,5	15L	32	21	15	12	19
EMN-2118-MCEM-L	1/2-14	BSPT	M26x1,5	18L	34.5	24	18	15	24
EMN-2622-MCEM-L	3/4-14	BSPT	M30x2	22L	42	27.5	22	19	27
EMN-3328-MCEM-L	1"-11	BSPT	M36x2	28L	46	31	28	24	36
EMN-4235-MCEM-L	1"1/4-11	BSPT	M45x2	35L	49	34.5	35	30	41
EMN-4842-MCEM-L	1"1/2-11	BSPT	M52x2	42L	60	40	42	36	50

## METRIC 24° CONE END - MALE BSPT THREAD ELBOWS



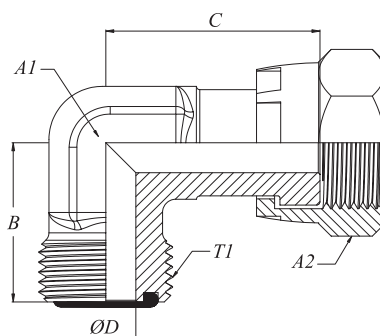
MATERIAL CODE	THREAD SIZE T1		THREAD SIZE T2		B	C	ØD	ØD1	AA
EMN-1306-MCEM-S	1/4-19	BSPT	M14x1,5	6S	28	15.5	6	4	14
EMN-1308-MCEM-S	1/4-19	BSPT	M16x1,5	8S	28	15.5	8	5	14
EMN-1310-MCEM-S	1/4-19	BSPT	M18x1,5	10S	28.5	16.5	10	7	17
EMN-1708-MCEM-S	3/8-19	BSPT	M16x1,5	8S	28.5	16.5	8	5	17
EMN-1710-MCEM-S	3/8-19	BSPT	M18x1,5	10S	28.5	16.5	10	7	17
EMN-1712-MCEM-S	3/8-19	BSPT	M20x1,5	12S	28.5	21.5	12	8	17
EMN-1716-MCEM-S	3/8-19	BSPT	M24x1,5	16S	34	24.5	16	12	24
EMN-2112-MCEM-S	1/2-14	BSPT	M20x1,5	12S	32	20.5	12	8	19
EMN-2116-MCEM-S	1/2-14	BSPT	M24x1,5	16S	34	24.5	16	12	24
EMN-2120-MCEM-S	1/2-14	BSPT	M30x2	20S	42	26.5	20	16	27
EMN-2616-MCEM-S	3/4-14	BSPT	M24x1,5	16S	42	28.5	16	12	27
EMN-2620-MCEM-S	3/4-14	BSPT	M30x2	20S	42	26.5	20	16	27
EMN-2625-MCEM-S	3/4-14	BSPT	M36x2	25S	42.5	30	25	20	36
EMN-3320-MCEM-S	1"-11	BSPT	M30x2	20S	46	32	20	16	36
EMN-3325-MCEM-S	1"-11	BSPT	M36x2	25S	46	30	25	20	36
EMN-3330-MCEM-S	1"-11	BSPT	M42x2	30S	49.5	35.5	30	25	41
EMN-4230-MCEM-S	1"1/4-11	BSPT	M42x2	30S	49.5	35.5	30	25	41
EMN-4238-MCEM-S	1"1/4-11	BSPT	M52x2	38S	60	42	38	32	50
EMN-4838-MCEM-S	1"1/2-11	BSPT	M52x2	38S	60	41	38	32	50

## ORFS ELBOWS



MATERIAL CODE	THREAD SIZE T1	TUBE OD	B	ØD	AA
EMN-1414-OE	9/16-18	6	21	5	12
EMN-1717-OE	11/16-16	10	24	6	17
EMN-2121-OE	13/16-16	12	29	9	17
EMN-2525-OE	1"-14	16	31	12	24
EMN-3030-OE	1"3/16-12	20	37	15	27
EMN-3737-OE	1"7/16-12	25	42	19	36
EMN-4343-OE	1"11/16-12	30	48.5	25	41

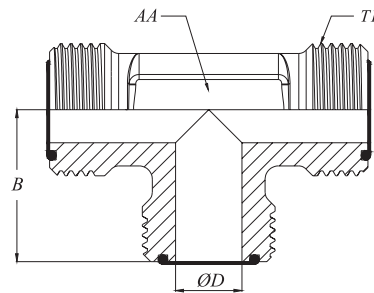
## ORFS SWIVEL ELBOWS



MATERIAL CODE	THREAD SIZE T1	TUBE OD	B	C	ØD	A1	A2
EMN-1414-OSE	9/16-18	6	21	24	5	12	19
EMN-1717-OSE	11/16-16	10	24	28	6	17	22
EMN-2121-OSE	13/16-16	12	29	29.5	9	17	24
EMN-2525-OSE	1"-14	16	31	36	12	24	30
EMN-3030-OSE	1"3/16-12	20	37	42	15	27	36
EMN-3737-OSE	1"7/16-12	25	42	45.5	19	36	41
EMN-4343-OSE	1"11/16-12	30	48.5	49.5	25	41	50

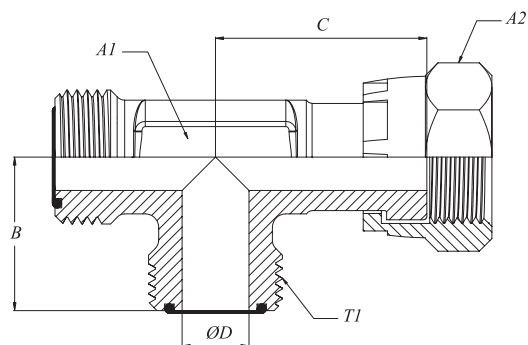


## ORFS TEE



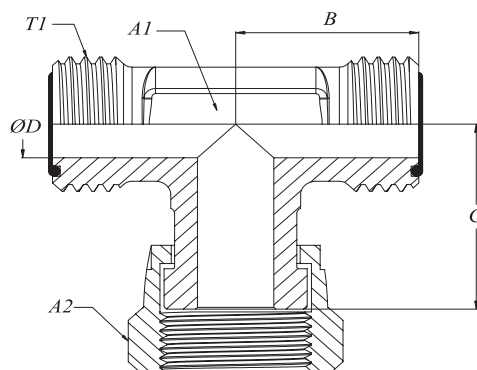
MATERIAL CODE	THREAD SIZE T1	TUBE OD	B	ØD	AA
EMN-1414-ORTT	9/16-18	6	21	5	12
EMN-1717-ORTT	11/16-16	10	24	6	17
EMN-2121-ORTT	13/16-16	12	29	9	17
EMN-2525-ORTT	1"-14	16	31	12	24
EMN-3030-ORTT	1"3/16-12	20	37	15	27
EMN-3737-ORTT	1"7/16-12	25	42	19	36
EMN-4343-ORTT	1"11/16-12	30	48.5	25	41

ORFS SWIVEL RUN TEE



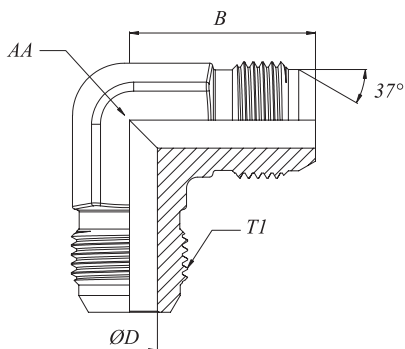
MATERIAL CODE	THREAD SIZE T1	TUBE OD	B	C	ØD	A1	A2
EMN-1414-OSRT	9/16-18	6	21	24	5	12	19
EMN-1717-OSRT	11/16-16	10	24	28	6	17	22
EMN-2121-OSRT	13/16-16	12	29	29.5	9	17	24
EMN-2525-OSRT	1"-14	16	31	36	12	24	30
EMN-3030-OSRT	1"3/16-12	20	37	42	15	27	36
EMN-3737-OSRT	1"7/16-12	25	42	45.5	19	36	41
EMN-4343-OSRT	1"11/16-12	30	48.5	49.5	25	41	50

## ORFS SWIVEL BRANCH TEE



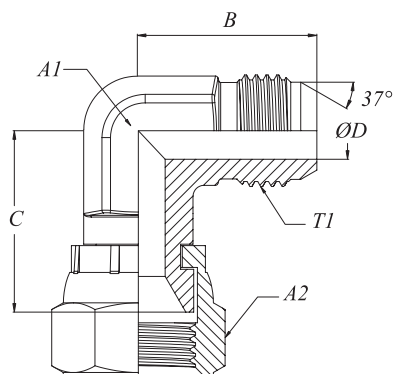
MATERIAL CODE	THREAD SIZE T1	TUBE OD	B	C	ØD	A1	A2
EMN-1414-OSBT	9/16-18	6	21	24	5	12	19
EMN-1717-OSBT	11/16-16	10	24	28	6	17	22
EMN-2121-OSBT	13/16-16	12	29	29.5	9	17	24
EMN-2525-OSBT	1"-14	16	31	36	12	24	30
EMN-3030-OSBT	1"3/16-12	20	37	42	15	27	36
EMN-3737-OSBT	1"7/16-12	25	42	45.5	19	36	41
EMN-4343-OSBT	1"11/16-12	30	48.5	49.5	25	41	50

## UNF ELBOWS



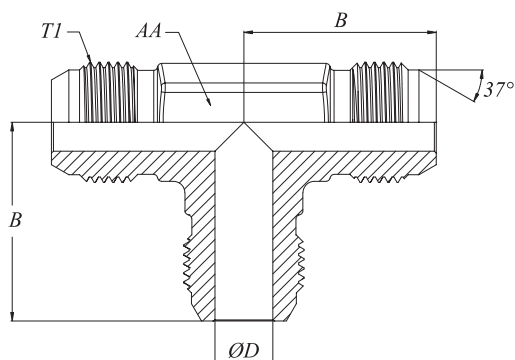
MATERIAL CODE	THREAD SIZE T1	TUBE OD	B	ØD	AA
EMN-1111-UE	7/16-20	6	20	4.5	12
EMN-1212-UE	1/2-20	8	23.5	6	14
EMN-1414-UE	9/16-18	10	25	7.5	17
EMN-1616-UE	5/8-18	10/12	25	8	17
EMN-1919-UE	3/4-16	12	30	10	17
EMN-2222-UE	7/8-14	16	34	12.5	24
EMN-2727-UE	1"1/16-12	20	38	15.5	27
EMN-3333-UE	1"5/16-12	25	43	21.5	36
EMN-4141-UE	1"5/8-12	30/32	50	27.5	41
EMN-4747-UE	1"7/8-12	38	57.5	33.5	50

## UNF SWIVEL ELBOWS



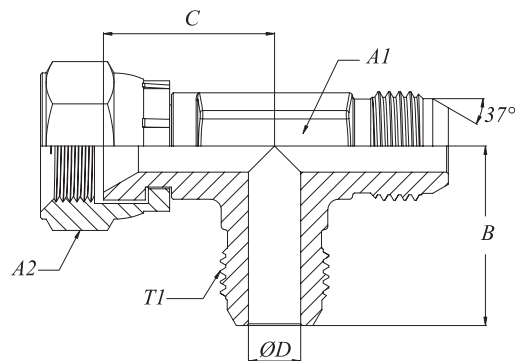
MATERIAL CODE	THREAD SIZE T1	TUBE OD	B	C	ØD	A1	A2
EMN-1111-USE	7/16-20	6	20	20	4.5	12	16
EMN-1212-USE	1/2-20	8	25	22	6	12	17
EMN-1414-USE	9/16-18	10	27.5	23	7.5	14	19
EMN-1616-USE	5/8-18	10/12	28.5	24	8	17	21
EMN-1919-USE	3/4-16	12	30	29.5	10	17	24
EMN-2222-USE	7/8-14	16	34	33.5	12.5	24	27
EMN-2727-USE	1"1/16-12	20	42	38	15.5	27	32
EMN-3333-USE	1"5/16-12	25	43	42	21.5	36	41
EMN-4141-USE	1"5/8-12	30/32	50	49	27.5	41	50
EMN-4747-USE	1"7/8-12	38	57.5	57.5	33.5	50	55

## UNF TEE



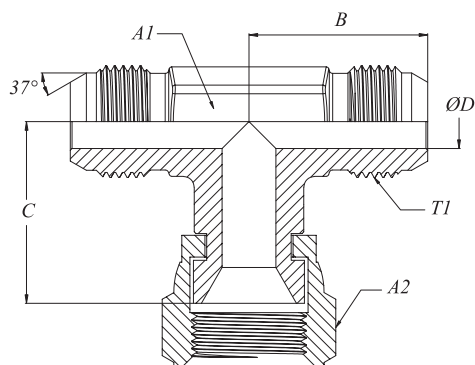
MATERIAL CODE	THREAD SIZE T1	TUBE OD	B	ØD	AA
EMN-1111-UT	7/16-20	6	20	4.5	12
EMN-1212-UT	1/2-20	8	23.5	6	14
EMN-1414-UT	9/16-18	10	25	7.5	17
EMN-1616-UT	5/8-18	10/12	25	8	17
EMN-1919-UT	3/4-16	12	30	10	17
EMN-2222-UT	7/8-14	16	34	12.5	24
EMN-2727-UT	1"1/16-12	20	38	15.5	27
EMN-3333-UT	1"5/16-12	25	43	21.5	36
EMN-4141-UT	1"5/8-12	30/32	50	27.5	41
EMN-4747-UT	1"7/8-12	38	57.5	33.5	50

## UNF SWIVEL RUN TEE



MATERIAL CODE	THREAD SIZE T1	TUBE OD	B	C	ØD	A1	A2
EMN-1111-USRT	7/16-20	6	20	20	4.5	12	16
EMN-1212-USRT	1/2-20	8	23.5	23	6	14	17
EMN-1414-USRT	9/16-18	10	25	24.5	7.5	17	19
EMN-1616-USRT	5/8-18	10/12	25	24.5	8	17	21
EMN-1919-USRT	3/4-16	12	30	29.5	10	17	24
EMN-2222-USRT	7/8-14	16	34	33.5	12.5	24	27
EMN-2727-USRT	1"1/16-12	20	38	37	15.5	27	32
EMN-3333-USRT	1"5/16-12	25	43	42	21.5	36	41
EMN-4141-USRT	1"5/8-12	30/32	50	49	27.5	41	50
EMN-4747-USRT	1"7/8-12	38	57.5	57.5	33.5	50	55

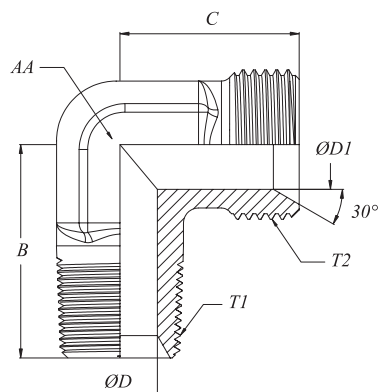
## UNF SWIVEL BRANCH TEE



MATERIAL CODE	THREAD SIZE T1	TUBE OD	B	C	ØD	A1	A2
EMN-1111-USBT	7/16-20	6	20	20	4.5	12	16
EMN-1212-USBT	1/2-20	8	23.5	23	6	14	17
EMN-1414-USBT	9/16-18	10	25	24.5	7.5	17	19
EMN-1616-USBT	5/8-18	10/12	25	24.5	8	17	21
EMN-1919-USBT	3/4-16	12	30	29.5	10	17	24
EMN-2222-USBT	7/8-14	16	34	33.5	12.5	24	27
EMN-2727-USBT	1"1/16-12	20	38	37	15.5	27	32
EMN-3333-USBT	1"5/16-12	25	43	42	21.5	36	41
EMN-4141-USBT	1"5/8-12	30/32	50	49	27.5	41	50
EMN-4747-USBT	1"7/8-12	38	57.5	57.5	33.5	50	55

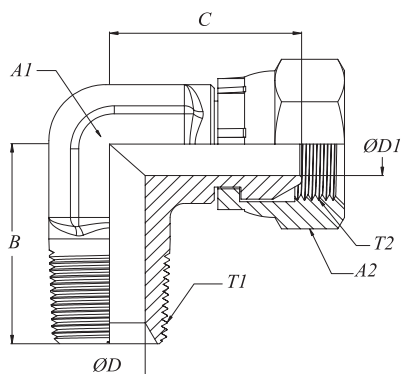


## BSP 60° CONE END - MALE BSPT THREAD ELBOWS



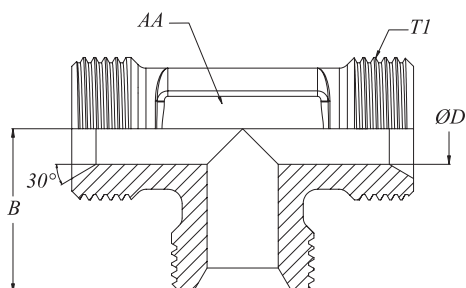
MATERIAL CODE	THREAD SIZE T1		THREAD SIZE T2	B	C	ØD	ØD1	AA
EMN-1010-CMET	1/8-28	BSPT	R1/8-28	20	20	4	4	12
EMN-1313-CMET	1/4-19	BSPT	R1/4-19	28	22.5	7	7	14
EMN-1717-CMET	3/8-19	BSPT	R3/8-19	28.5	24.5	9	9	17
EMN-2121-CMET	1/2-14	BSPT	R1/2-14	32.5	28	12	12	19
EMN-2626-CMET	3/4-14	BSPT	R3/4-14	42	37	15	15	27
EMN-3333-CMET	1"-11	BSPT	R1"-11	45.5	42.5	20	20	36
EMN-4242-CMET	1"1/4-11	BSPT	R1"1/4-11	50	49	26	26	41
EMN-4848-CMET	1"1/2-11	BSPT	R1"1/2-11	60	57	31	31	50

## MALE BSPT THREAD - BSP FEMALE SWIVEL ELBOWS



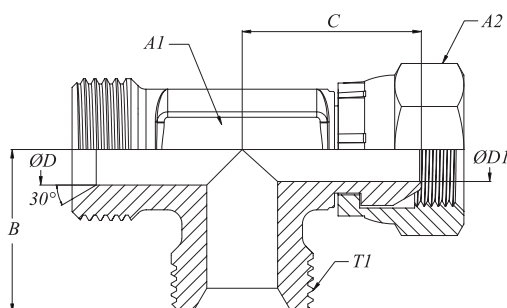
MATERIAL CODE	THREAD SIZE		THREAD SIZE	B	C	ØD	ØD1	A1	A2
	T1	T2							
EMN-1010-MBT	1/8-28	BSPT	R1/8-28	20	20	4	4	12	14
EMN-1313-MBT	1/4-19	BSPT	R1/4-19	28	23	7	5.5	14	17
EMN-1717-MBT	3/8-19	BSPT	R3/8-19	28.5	25	9	8	17	22
EMN-2121-MBT	1/2-14	BSPT	R1/2-14	32.5	28	12	10	19	27
EMN-2626-MBT	3/4-14	BSPT	R3/4-14	42	37.5	15	15	27	32
EMN-3333-MBT	1"-11	BSPT	R1"-11	45.5	43	20	20	36	41
EMN-4242-MBT	1 1/4-11	BSPT	R1 1/4-11	50	49.5	26	26	41	50
EMN-4848-MBT	1 1/2-11	BSPT	R1 1/2-11	60	58	31	31	50	55
EMN-6060-MBT	2"-11	BSPT	R2"-11	77.5	78	44	44	60	70

## BSP TEE



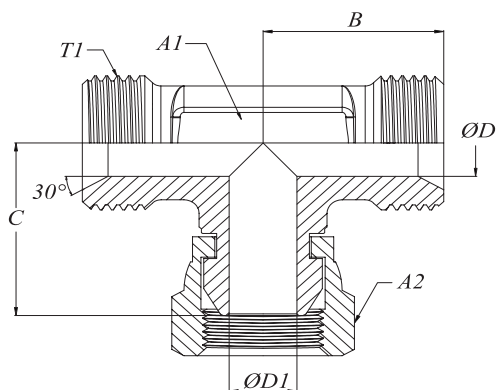
MATERIAL CODE	THREAD SIZE T1	B	ØD	AA
EMN-1010-RBT	R1/8-28	20	4	12
EMN-1313-RBT	R1/4-19	21.5	6	12
EMN-1717-RBT	R3/8-19	22.5	9	14
EMN-2121-RBT	R1/2-14	28.5	12	21
EMN-2626-RBT	R3/4-14	31	15	24
EMN-3333-RBT	R1"-11	42	20	36
EMN-4242-RBT	R1"1/4-11	49	26	41
EMN-4848-RBT	R1"1/2-11	58	31	50

## BSP SWIVEL RUN TEE



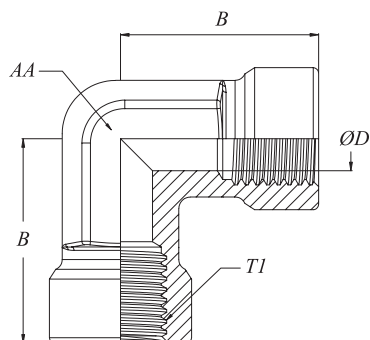
MATERIAL CODE	THREAD SIZE T1	B	C	ØD	ØD1	A1	A2
EMN-1010-RSRT	R1/8-28	20	20	4	4	12	14
EMN-1313-RSRT	R1/4-19	21.5	21.5	6	5.5	12	17
EMN-1717-RSRT	R3/8-19	22.5	22.5	9	8	14	22
EMN-2121-RSRT	R1/2-14	28.5	28.5	12	10	21	27
EMN-2626-RSRT	R3/4-14	31	36	15	15	24	32
EMN-3333-RSRT	R1"-11	42	42	20	20	36	41
EMN-4242-RSRT	R1"1/4-11	49	49	26	26	41	50
EMN-4848-RSRT	R1"1/2-11	58	58	31	31	50	55

BSP SWIVEL BRANCH TEE



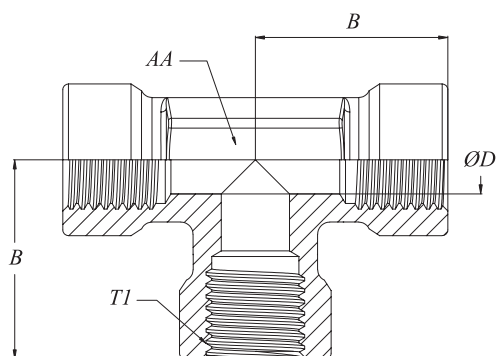
MATERIAL CODE	THREAD SIZE T1	B	C	ØD	ØD1	A1	A2
EMN-1010-RSBT	R1/8-28	20	20	4	4	12	14
EMN-1313-RSBT	R1/4-19	21.5	21.5	6	5.5	12	17
EMN-1717-RSBT	R3/8-19	22.5	22.5	9	8	14	22
EMN-2121-RSBT	R1/2-14	28.5	28.5	12	10	21	27
EMN-2626-RSBT	R3/4-14	31	36	15	15	24	32
EMN-3333-RSBT	R1"-11	42	42	20	20	36	41
EMN-4242-RSBT	R1"1/4-11	49	49	26	26	41	50
EMN-4848-RSBT	R1"1/2-11	58	58	31	31	50	55

## BSP FEMALE THREAD ELBOWS



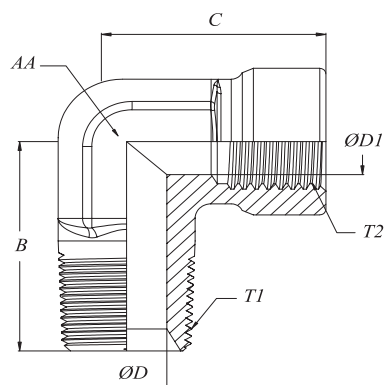
MATERIAL CODE	THREAD SIZE T1	B	ØD	AA
EMN-1010-RFTE	R1/8-28	22	8.5	14
EMN-1313-RFTE	R1/4-19	22	11	19
EMN-1717-RFTE	R3/8-19	26	14	22
EMN-2121-RFTE	R1/2-14	31	16	27
EMN-2626-RFTE	R3/4-14	40	20	33
EMN-3333-RFTE	R1"-11	46	25	41
EMN-4242-RFTE	R1"1/4-11	57	29	50
EMN-4848-RFTE	R1"1/2-11	78	43	60

## BSP FEMALE THREAD TEE



MATERIAL CODE	THREAD SIZE T1	B	ØD	AA
EMN-1010-RFTT	R1/8-28	22	8.5	14
EMN-1313-RFTT	R1/4-19	22	11	19
EMN-1717-RFTT	R3/8-19	26	14	22
EMN-2121-RFTT	R1/2-14	31	16	27
EMN-2626-RFTT	R3/4-14	40	20	33
EMN-3333-RFTT	R1"-11	46	25	41
EMN-4242-RFTT	R1 1/4-11	57	29	50

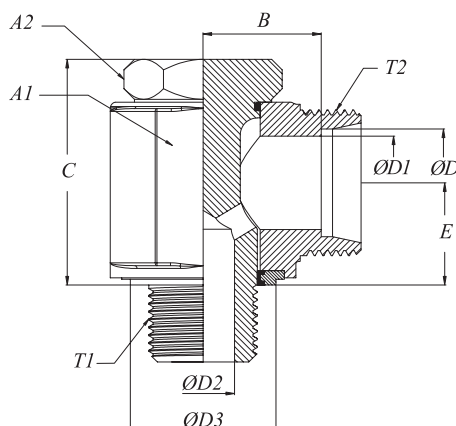
## MALE BSPT THREAD - FEMALE BSP THREAD ELBOW



MATERIAL CODE	THREAD SIZE		THREAD SIZE	B	C	ØD	ØD1	AA
	T1	T2						
EMN-1010-MWT	1/8-28	BSPT	R1/8-28	22.5	22.5	4	7	14
EMN-1313-MWT	1/4-19	BSPT	R1/4-19	30	29	7	9	17
EMN-1717-MWT	3/8-19	BSPT	R3/8-19	34	33	9	11	24
EMN-2121-MWT	1/2-14	BSPT	R1/2-14	38	37	12	15	27
EMN-2626-MWT	3/4-14	BSPT	R3/4-14	42.5	41.5	15	15.5	36
EMN-3333-MWT	1"-11	BSPT	R1"-11	50	49.5	20	25	41
EMN-4242-MWT	1"1/4-11	BSPT	R1"1/4-11	61	57	26	29	50
EMN-4848-MWT	1"1/2-11	BSPT	R1"1/2-11	78	77	33	40	60

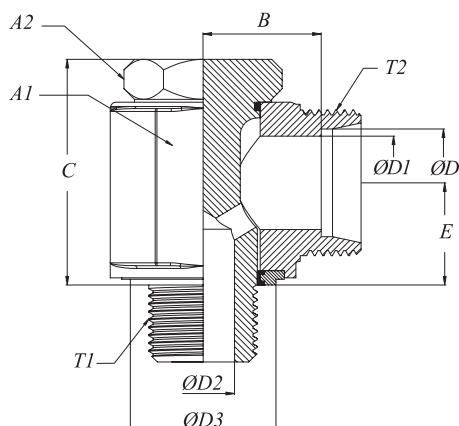


## METRIC 24° CONE - MALE BSP STUD BANJO ELBOW



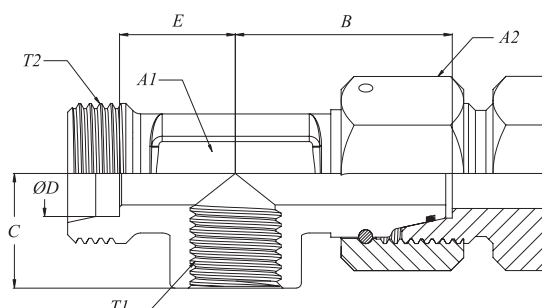
MATERIAL CODE	THREAD SIZE T1	THREAD SIZE T2	ØD	ØD1	ØD2	ØD3	B	C	E	A1	A2	
<b>L TYPE</b>												
EMN-1006-MCBE-L	R1/8-28	M10x1	6L	6	4.5	5	14	12	25	10.75	17	14
EMN-1006-MCBE-L	R1/8-28	M12x1,5	6L	6	4	4.5	14	12	25	10.5	17	14
EMN-1008-MCBE-L	R1/8-28	M14x1,5	8L	8	6	4.5	14	12	25	10.5	17	14
EMN-1306-MCBE-L	R1/4-19	M12x1,5	6L	6	4	5	17.5	14.5	29.5	14	22	19
EMN-1308-MCBE-L	R1/4-19	M14x1,5	8L	8	6	5	17.5	14.5	29.5	14	22	19
EMN-1310-MCBE-L	R1/4-19	M16x1,5	10L	10	8	5	17.5	16	29.5	14	22	19
EMN-1312-MCBE-L	R1/4-19	M18x1,5	12L	12	10	5	17.5	16.5	29.5	14	22	19
EMN-1706-MCBE-L	R3/8-19	M12x1,5	6L	6	4	8	21.5	17.5	35.5	16.5	27	22
EMN-1708-MCBE-L	R3/8-19	M14x1,5	8L	8	6	8	21.5	17.5	35.5	16.5	27	22
EMN-1710-MCBE-L	R3/8-19	M16x1,5	10L	10	8	8	21.5	18	35.5	16.5	27	22
EMN-1712-MCBE-L	R3/8-19	M18x1,5	12L	12	10	8	21.5	18	35.5	16.5	27	22
EMN-1715-MCBE-L	R3/8-19	M22x1,5	15L	16	12	8	21.5	28	36.7	17.9	27	22
EMN-2110-MCBE-L	R1/2-14	M16x1,5	10L	10	8	11	27	21	45	21.5	32	27
EMN-2112-MCBE-L	R1/2-14	M18x1,5	12L	12	10	11	27	21	45	21.5	32	27
EMN-2115-MCBE-L	R1/2-14	M22x1,5	15L	15	12	11	27	21.5	45	21.5	32	27
EMN-2118-MCBE-L	R1/2-14	M26x1,5	18L	18	15	11	27	21	45	21.5	32	27
EMN-2618-MCBE-L	R3/4-14	M26x1,5	18L	18	15	15	32.5	26.5	53	24	41	32
EMN-2622-MCBE-L	R3/4-14	M30x2	22L	22	19	15	32.5	27.5	53	24	41	32
EMN-3328-MCBE-L	R1"-11	M36x2	28L	28	24	17.5	39.5	32	63	30.5	50	41
EMN-4235-MCBE-L	R1"1/4-11	M45x2	35L	35	30	24.5	49	36	74	35.5	60	50
EMN-4842-MCBE-L	R1"1/2-11	M52x2	42L	42	36	30	56	40.5	87	42.5	65	55

## METRIC 24° CONE - MALE BSP STUD BANJO ELBOW



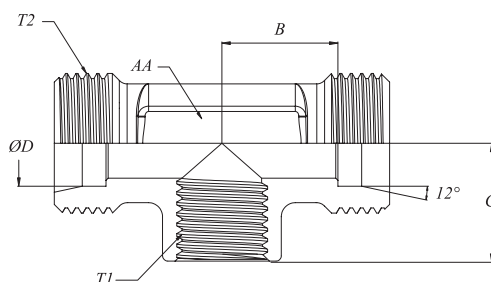
MATERIAL CODE	THREAD SIZE T1	THREAD SIZE T2	ØD	ØD1	ØD2	ØD3	B	C	E	A1	A2	
<b>S TYPE</b>												
EMN-1306-MCBE-S	R1/4-19	M14x1,5	6S	6	4	5	17.5	16.5	29.5	14	22	19
EMN-1308-MCBE-S	R1/4-19	M16x1,5	8S	8	5	5	17.5	16.5	29.5	14	22	19
EMN-1710-MCBE-S	R3/8-19	M18x1,5	10S	10	7	8	21.5	18.5	35.5	16.5	27	22
EMN-1712-MCBE-S	R3/8-19	M20x1,5	12S	12	8	8	21.5	19	35.5	16.5	27	22
EMN-1716-MCBE-S	R3/8-19	M24x1,5	16S	16	12	12	24	19.5	36.4	18	27	22
EMN-2112-MCBE-S	R1/2-14	M20x1,5	12S	12	8	11	27	21	45	21.5	32	27
EMN-2116-MCBE-S	R1/2-14	M24x1,5	16S	16	12	11	27	22	45	21.5	32	27
EMN-2120-MCBE-S	R1/2-14	M30x2	20S	20	16	11	27	23	46	23	35	27
EMN-2616-MCBE-S	R3/4-14	M24x1,5	16S	16	12	15	32.5	27	53	24	41	32
EMN-2620-MCBE-S	R3/4-14	M30x2	20S	20	16	15	32.5	26.5	53	24	41	32
EMN-2625-MCBE-S	R3/4-15	M36x2	25S	25	20	18.5	35	28	55	27	41	32
EMN-3320-MCBE-S	R1"-11	M30x2	20S	20	16	17.5	39.5	31.5	63	30.5	50	41
EMN-3325-MCBE-S	R1"-11	M36x2	25S	25	20	17.5	39.5	31.5	63	30.5	50	41
EMN-3330-MCBE-S	R1"-11	M42x2	30S	30	25	25	41	31	64	32	50	41
EMN-4230-MCBE-S	R1"1/4-11	M42x2	30S	30	25	24.5	49	37	74	35.5	60	50
EMN-4238-MCBE-S	R1"1/4-11	M52x2	38S	38	32	33	52	36	77.5	37.5	60	50
EMN-4838-MCBE-S	R1"1/2-11	M52x2	38S	38	32	30	56	39	87	42.5	65	55

METRIC MALE 24° CONE - FEMALE BSP THREAD - METRIC SWIVEL RUN TEE



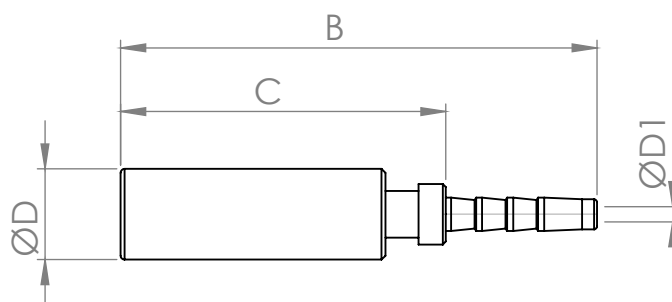
MATERIAL CODE	THREAD SIZE T1	THREAD SIZE T2	THREAD SIZE T2	B	E	C	ØD	A1	A2		
EMN-1316-MMCF	R1/4-19	M24x1,5	16S	M24x1,5	16S	36.5	24.5	21.5	16	24	30
EMN-1320-MMCF	R1/4-19	M30x2	20S	M30x2	20S	44.5	26.5	23	20	27	36
EMN-1716-MMCF	R3/8-19	M24x1,5	16S	M24x1,5	16S	36.5	24.5	21.5	16	24	30
EMN-1720-MMCF	R3/8-19	M30x2	20S	M30x2	20S	44.5	26.5	23	20	27	36
EMN-2125-MMCF	R1/2-21	M36x2	25S	M36x2	25S	50	30	29	25	36	46

METRIC MALE 24° CONE - FEMALE BSP THREAD - METRIC MALE 24° CONE TEERUN TEE



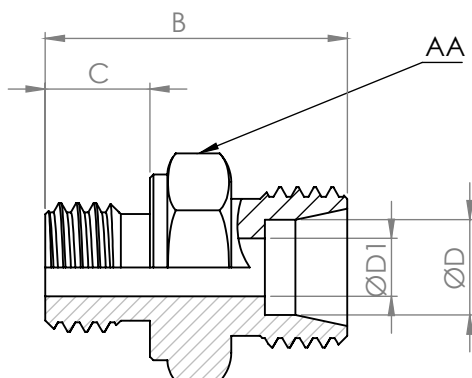
MATERIAL CODE	THREAD SIZE T1	THREAD SIZE T2	THREAD SIZE T2	B	E	C	ØD		
EMN-1316-MMCT	R1/4-19	M24x1,5	16S	M24x1,5	16S	24.5	21.5	16	24
EMN-1320-MMCT	R1/4-19	M30x2	20S	M30x2	20S	26.5	23	20	27
EMN-1716-MMCT	R3/8-19	M24x1,5	16S	M24x1,5	16S	24.5	21.5	16	24
EMN-1720-MMCT	R3/8-19	M30x2	20S	M30x2	20S	26.5	23	20	27
EMN-2125-MMCT	R1/2-21	M36x2	25S	M36x2	25S	30	29	25	36

DN2 - DN4 PIPE END FLAT FITTINGS



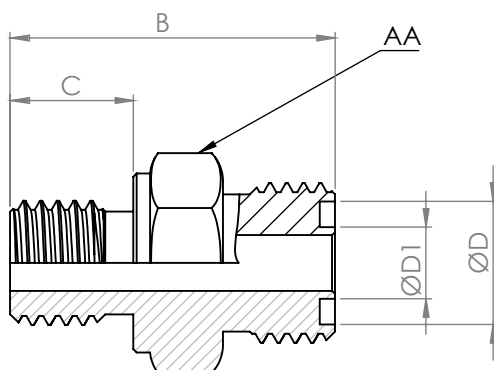
MATERIAL CODE	HOSE SIZE	TUBE OD	B	C	$\varnothing D1$
EMN-0206-PHSF	DN2	6	31,5	21,5	1
EMN-0208-PHSF	DN2	8	34	24	1
EMN-0210-PHSF	DN2	10	34	24	1
EMN-0212-PHSF	DN2	12	36	20,5	1
EMN-0406-PHSF	DN4	6	49	29	2
EMN-0407-PHSF	DN4	6 (SCREWED)	53,5	28	2,5

## UNF BLOCK ORING - METRIC NIPPLE



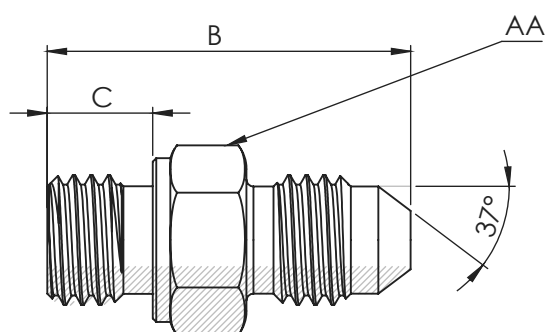
MATERIAL CODE	THREAD SIZE / UNF	THREAD SIZE / METRIC	B	C	ØD	ØD1	AA
<b>L TYPE</b>							
EMN-1108-UBMN-L	7/16-20	M14x1,5 8L	26	9	8	5	17
EMN-1110-UBMN-L	7/16-20	M16x1,5 10L	27	9	10	5	17
EMN-1410-UBMN-L	9/16-18	M16x1,5 10L	28	10	10	7,5	19
EMN-1412-UBMN-L	9/16-18	M18x1,5 12L	28	10	12	7,5	19
EMN-1912-UBMN-L	3/4-16	M18x1,5 12L	31	11	12	10	24
EMN-1915-UBMN-L	3/4-16	M22x1,5 15L	32	11	15	10	24
EMN-2212-UBMN-L	7/8-14	M18x1,5 12L	34	12,5	12	10	27
EMN-2215-UBMN-L	7/8-14	M22x1,5 15L	35	12,5	15	12	27
EMN-2218-UBMN-L	7/8-14	M26x1,5 18L	35	12,5	18	14	27
EMN-2722-UBMN-L	1"1/16-12	M30x2 22L	39	15	22	18	32
<b>S TYPE</b>							
EMN-1410-UBMN-S	9/16-18	M18x1,5 10S	32	12	10	6	19
EMN-1912-UBMN-S	3/4-16	M20x1,5 12S	36	14	12	8	24
EMN-1916-UBMN-S	3/4-16	M24x1,5 16S	38	14	16	10	24
EMN-2216-UBMN-S	7/8-14	M24x1,5 16S	40,5	16	16	12	27
EMN-2220-UBMN-S	7/8-14	M30x2 20S	44	16	20	12	32
EMN-2720-UBMN-S	1"1/16-12	M30x2 20S	46	18,5	20	16	32
EMN-3325-UBMN-S	1"5/16-12	M36x2 25S	50	18,5	25	20	41
EMN-4130-UBMN-S	1"5/8-12	M42x2 30S	52	18,5	30	25	50

## UNF BLOCK ORING - ORFS NIPPLE



MATERIAL CODE	THREAD SIZE	THREAD SIZE	B	C	ØD	ØD1	AA
EMN-1114-UBON	7/16-20	9/16-18	29	11	11	6,4	17
EMN-1414-UBON	9/16-18	9/16-18	31	12	11	6,4	19
EMN-1417-UBON	9/16-18	11/16-16	32	12	12,6	8	19
EMN-1917-UBON	3/4-16	11/16-16	35	14	12,6	8	22
EMN-1921-UBON	3/4-16	13/16-16	37	14	15,7	11	22
EMN-1925-UBON	3/4-16	1"-14	45	14	19	14,4	27
EMN-2221-UBON	7/8-14	13/16-16	40	16	15,7	11	27
EMN-2225-UBON	7/8-14	1"-14	43	16	19	14,4	27
EMN-2730-UBON	1"1/16-12	1"3/16-12	49	18,5	22,1	17,5	32
EMN-3330-UBON	1"5/16-12	1"3/16-12	49,5	18,5	22,1	17,5	41
EMN-3337-UBON	1"5/16-12	1"7/16-12	50	18,5	26,8	22,2	41
EMN-4143-UBON	1"5/8-12	1"11/16-12	52	18,5	33,2	28,6	50

## UNF BLOK ORINGS-UNF NIPPLE



MATERIAL CODE	THREAD SIZE	THREAD SIZE	B	C	AA
EMN-1111-UBUN	7/16-20	7/16-20	31	9	14
EMN-1212-UBUN	1/2-20	1/2-20	31	9	17
EMN-1414-UBUN	9/16-18	9/16-18	33	10	19
EMN-1919-UBUN	3/4-16	3/4-16	37,5	11	22
EMN-2222-UBUN	7/8-14	7/8-14	43	12,5	27
EMN-2727-UBUN	1"1/16-12	1"1/16-12	50	15	32
EMN-3333-UBUN	1"5/16-12	1"5/16-12	52	15	41
EMN-4141-UBUN	1"5/8-12	1"5/8-12	55	15	50










**hydroas**  
HİDROLİK PNÖMATİK

**EMİN PUL**  
HİDROLİK PNÖMATİK ELEKT. OTOM. SAN. TİC. LTD. ŞTİ.

 Horozluhan Mh. 1. Org. San. Budaközü Sk. No: 24 Selçuklu/Konya/TÜRKİYE

 +90 332 233 42 85

 +90 332 236 48 46

 [www.hydroas.com](http://www.hydroas.com)

 [info@hydroas.com](mailto:info@hydroas.com)